

DHI-VTNC2113C

2-wire Hybrid Controller



EACH

- Includes four 2-wire ports for connecting to the indoor monitor and two 2-wire ports for the door station.
- Supports cascading 10 devices.
- Supports connecting to 100 analog indoor monitors or 22 hybrid indoor monitors.
- Includes an RJ-45 port and supports accessing the device webpage to perform system configuration and management.
- Supports guide rail mount.

Technical Specification

System

Main Processor	Embedded Processor
Operating System	Embedded Linux operating system
Network Protocol	UDP;TCP;IPv4;DNS;SSH

Function

Communication Mode	Analog
Web Configuration	Yes

Performance

Casing Material	PC + ABS
-----------------	----------

Port

Network Port	1 x 100 Mbps Ethernet port
--------------	----------------------------

General

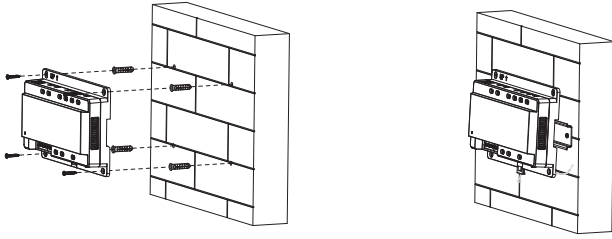
Appearance Color	White
Power Supply	48-53 VDC, 4 A

Power Adapter	Optional
Installation	Guide Rail Mount
Certifications	CE
Product Dimensions	117 mm x 191 mm x 38 mm (4.61" x 7.52" x 1.50")
Operating Temperature	-10 °C to +55 °C (+14 °F to +131 °F)
Operating Humidity	10%-95%, non-condensing
Operating Environment	Indoor
Operating Altitude	0-3000 m (0-9842.52 ft)
Power Consumption	≤4 W (standby), ≤100 W (working)
Storage Temperature	0 °C to +40 °C (+32 °F to +104 °F)
Storage Humidity	30%-75%

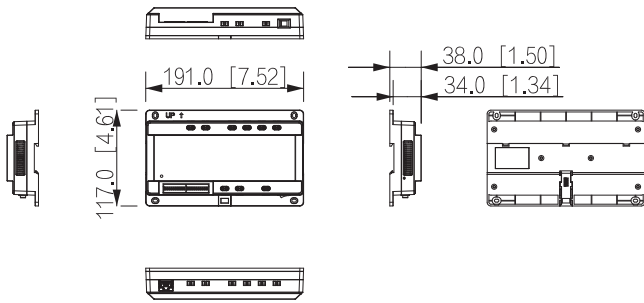
Ordering Information

Type	Model	Description
VTNC	DHI-VTNC2113C	2-wire Controller

Installation



Dimensions (mm[inch])



Application

