



21.5” 10pt Optical Bonded PCAP touchscreen monitor with IPS panel technology, edge-to-edge glass design, anti-fingerprint coating and metal housing

The Full HD (1920x1080) monitor ProLite T2238MSC-B1 with IPS panel technology offers exceptional colors and wide viewing angles. The Optical Bonded Projective Capacitive (PCAP) 10-point touch technology ensures a seamless and accurate touch response and a lower light reflection, in addition, the display is protected against humidity and potential moisture development. A robust metal housing and a scratch-resistant 7H edge-to-edge glass with anti-fingerprint coating make the monitor particularly suitable for integration in demanding environments. The monitor meets also a IPX1 protection rating, making it waterproof for a period of time against dripping water.

The flexible stand can be positioned at several angles creating a comfortable and ergonomic user experience and the integrated cable management system hides all the cables and electrical wires giving a neat and cable-free workspace. The ProLite T2238MSC-B1 can be used in landscape, portrait and face-up orientation. A perfect solution for interactive signage, instore retail, POS and interactive presentations.



Optical bonded PCAP

The optical bonded projective capacitive (PCAP) touch technology reduces the air gap between the touch layer and the display making the touch response more accurate. It improves also the visual quality by reducing reflections and glare. In addition the display is protected against dust and potential moisture development.



IPS Technology

IPS technology offers higher contrast, darker blacks and much better viewing angles than standard TN technology. The screen will look good no matter what angle you look at it.

01 DISPLAY CHARACTERISTICS

Design	Edge to edge glass
Diagonal	21.5", 54.5cm
Panel	IPS
Native resolution	1920 x 1080 (2.1 megapixel Full HD)
Aspect ratio	16:9
Panel brightness	600 cd/m ²
Brightness	525 cd/m ² with touch
Light transmittance	87%
Static contrast	1000:1
Response time (GTG)	5ms
Viewing zone	horizontal/vertical: 178°/178°, right/left: 89°/89°, up/down: 89°/89°
Colour support	16.7mln
Horizontal Sync	30 - 83kHz
Viewable area W x H	479 x 260mm, 20.2 x 11.8"
Bezel width (sides, top, bottom)	17mm, 19.8mm, 19.8mm
Pixel pitch	0.249mm
Bezel colour and finish	black, matte

02 TOUCH

Touch points	10 (HID, only with supported OS)
Touch method	stylus, finger, glove
Touch interface	USB
Supported operating systems	All iiyama monitors are Plug & Play and compatible with Windows and Linux. For details regarding the supported OS for the touch models, please refer to the driver instruction file available in the downloads section.

03 INTERFACES / CONNECTORS / CONTROLS

Digital signal input	HDMI x1 DisplayPort x1
Audio output	Speakers 2 x 2W
HDCP	yes
USB HUB	x2 (USB3.2 Gen 1 (5Gbps, 5V, 900mA))

04 FEATURES

Extra	Optical bonding PCAP, metal housing, anti fingerprint coating, water proof touch function
Glass thickness	3.6mm
Glass hardness	7H
60950 Ball drop test	yes
Water and dust protection	IP1X (front)
Housing (bezel)	metal
OSD key lock	yes

05 GENERAL

OSD languages	EN, DE, FR, CN, RU, JP, NL, PL
Control buttons	Menu, Scroll up/ Eco, Scroll down/ Volume, Enter/ Input select, Power
User controls	Picture adjust (brightness, contrast, i-Style color, adv. contrast, ECO mode, OD, X-Res), color settings (gamma, RGB range, color. temp.), image settings (video mode adjust, blue light reducer, sharp & soft), OSD (H. pos., V. pos., time, background, rotate, language, display information), extra (reset, DDC/CI, signal select, volume, mute, led, opening logo, touch switch)
Blue light reducer	yes
Plug&Play	DDC2B

06 MECHANICAL

Orientation	landscape, portrait, face-up
Fanless design	yes
VESA mounting	100 x 100mm

07 ACCESSORIES INCLUDED

Cables	power, USB, HDMI
Guides	quick start guide, safety guide
Cable cover	yes

08 POWER MANAGEMENT

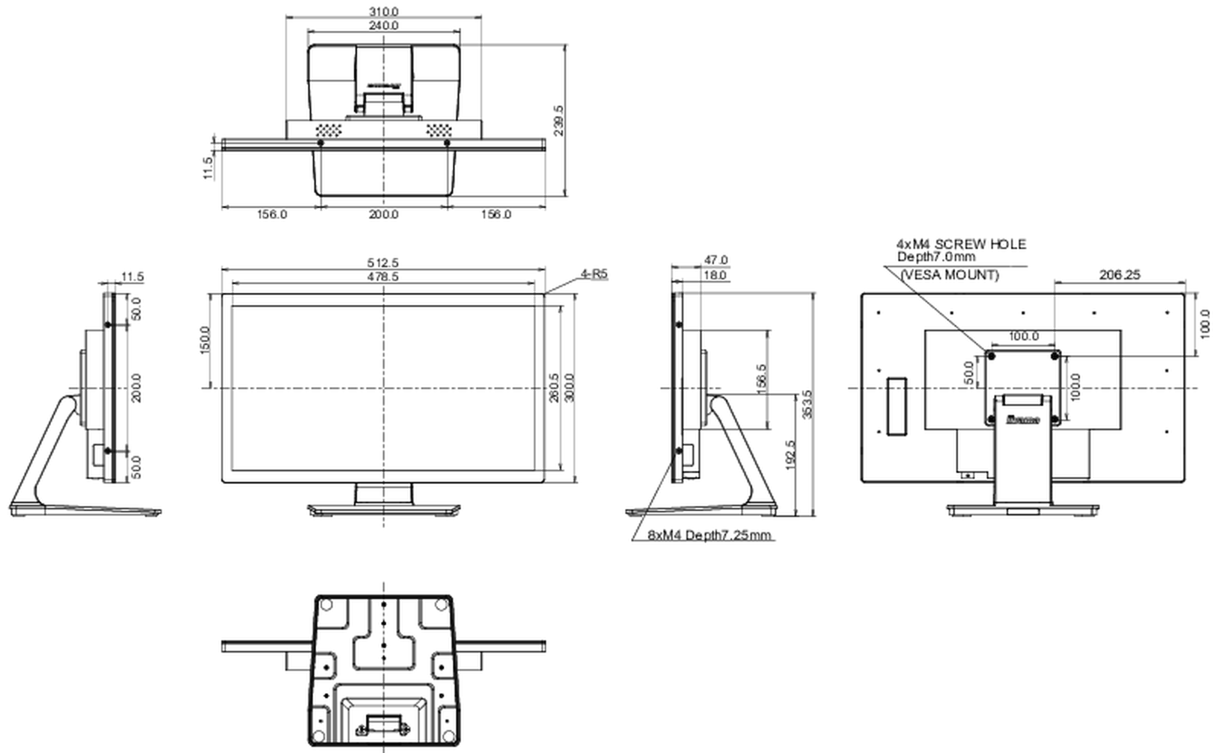
Power supply unit	internal
Power supply	AC 100 - 240V, 50/60Hz
Power usage	17W typical, 1.5W stand by, 0.3W off mode

09 SUSTAINABILITY

Regulations	CE, TÜV-Bauart, EAC, RoHS support, ErP, WEEE, REACH, UKCA
Energy efficiency class (Regulation (EU) 2017/1369)	D
REACH SVHC	above 0.1%: Lead

10 DIMENSIONS / WEIGHT

Product dimensions W x H x D	512.5 x 353.5 x 239.5mm
Box dimensions W x H x D	625 x 430 x 150mm
Weight (without box)	6.8kg
Weight (with box)	8.1kg
EAN code	4948570122899



All trademarks and registered trademarks acknowledged. E & O E. Specification subject to change without notice. All LCD's comply with ISO-9241-307:2008 in connection with pixel defects.

© IYAMA CORPORATION. ALL RIGHTS RESERVED