

DH-PFB510W

Radar Bracket



Features

- Aluminum alloy
- Radar dedicated
- Compatible with wall mounting and ceiling mounting
- Inner cable connection without exposure
- Junction box function
- Easy installation and adjustment
- Vertical angle adjustment with high accuracy

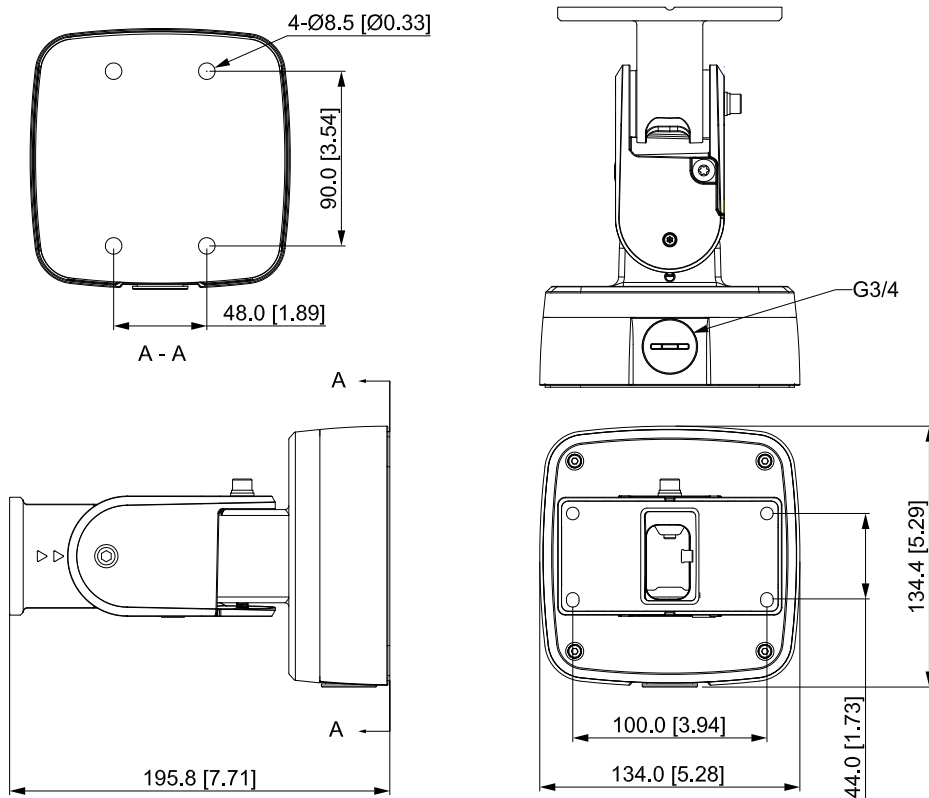
Technical Specification

Model	DH-PFB510W
Material	Aluminum alloy
Dimensions	134.0 × 134.4 × 195.8 mm (5.28" × 5.29" × 7.71")
Net Weight	1.1kg (2.43 lb)
Gross Weight	1.3kg (2.87 lb)
Load Bearing	4.0 kg (8.82 lb)
Operating Temperature	-40°C to 70°C (-40°F to 158°F)
Operating Humidity	<90%
Installation	Wall-mounted or ceiling-mounted
Adjusting Range	Vertical: -20° to 90° with 1° accuracy Horizontal: -48° to 48° with 12° accuracy
Color	White
Applicable Model	PFR4K-E series and PFR4K-D series

Ordering Information

Type	Part Number	Description
Radar Mount Bracket	DH-PFB510W	Radar bracket, support wall mounting and ceiling mounting
	PFB510W	Radar bracket, support wall mounting and ceiling mounting

Dimensions (mm/inch)



Application



Package Information

- Bracket × 1
- ST6 screw × 4
- Expansion bolt × 4
- Gasket × 4
- S3.0 wrench × 1
- S5.0 wrench × 1
- Positioning map × 1
- Waterproof connector group × 1