

DH-PFB211W

Wall Mount Bracket



- Aluminum alloy material
- Matched with particular cameras, beautiful and elegant designed



Scene

Suitable for camera mounting with operating temperature from -40°C to $+60^{\circ}\text{C}$ (-40°F to $+140^{\circ}\text{F}$) and relative humidity less than 90%.

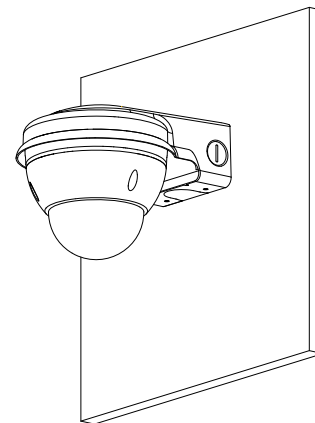
Technical Specification

Model	DH-PFB211W
Material	Aluminum alloy
Dimensions	235.4 mm × 180.3 mm × 84.2 mm (9.27" × 7.09" × 3.31") (L × W × H)
Weight	0.97 kg (2.14 lb)
Load Bearing	3.0 kg (6.61 lb)
Operating Temperature	-40°C to $+60^{\circ}\text{C}$ (-40°F to $+140^{\circ}\text{F}$)
Operating Humidity	<90% (RH)
Color	White
Applicable Camera	Please see "Accessory Selection"

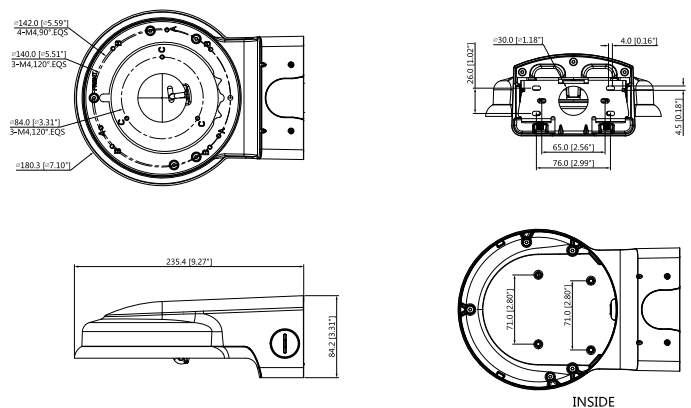
Ordering Information

Type	Model	Description
Camera Mount	DH-PFB211W	Wall Mount Bracket

Installation



Dimensions (mm[inch])



INSIDE