

DH-PFA132-E

Junction Box



Features

- Aesthetic design
- Material: aluminum
- Junction box

Technical Specification

Model DH-PFA132-E

General

Material Aluminum

Dimension (WxHxD) $\phi 156\text{mm} \times 39.8\text{mm}$ ($\phi 6.14'' \times 1.57''$)

Weight 0.48kg (1.06lb)

Load Bearing (front) 3kg (6.61lb)

Color White

Operating Temperature $-40^{\circ}\text{C} \sim +60^{\circ}\text{C}$ ($-40^{\circ}\text{F} \sim +140^{\circ}\text{F}$)

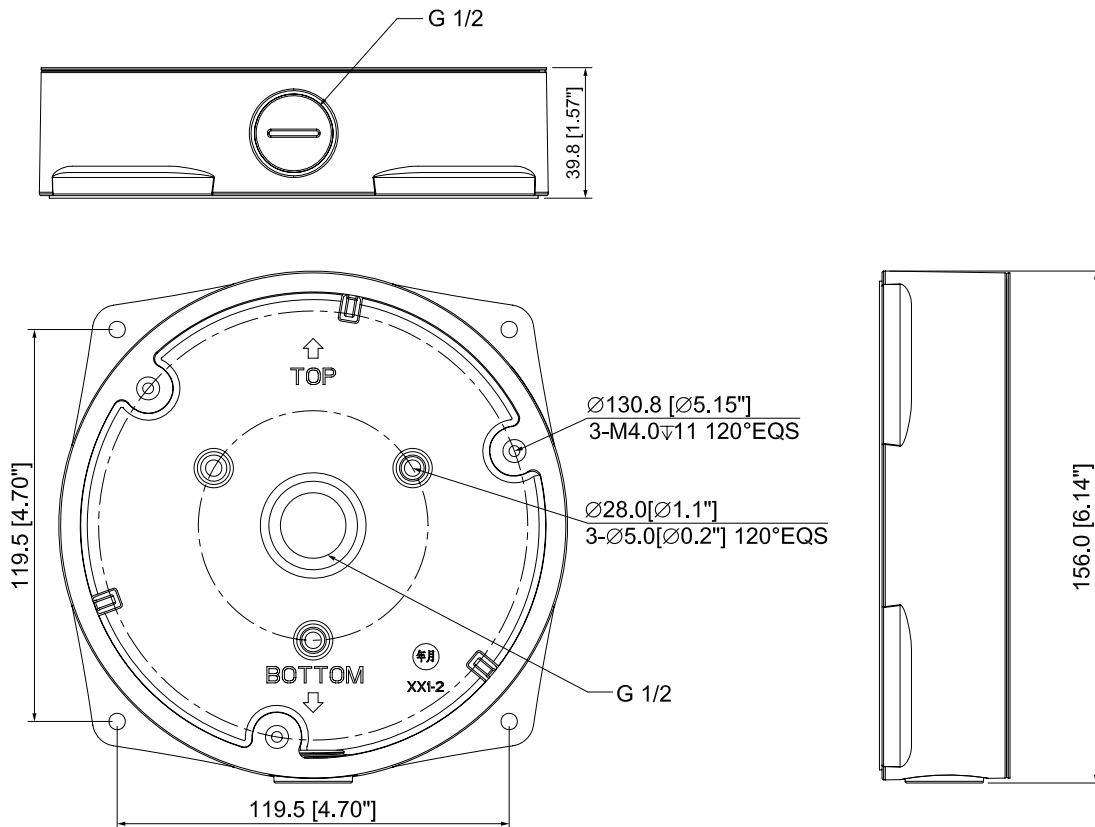
Humidity 0~90% RH

Applicable Model Please see "Accessory Selector" on www.dahuasecurity.com

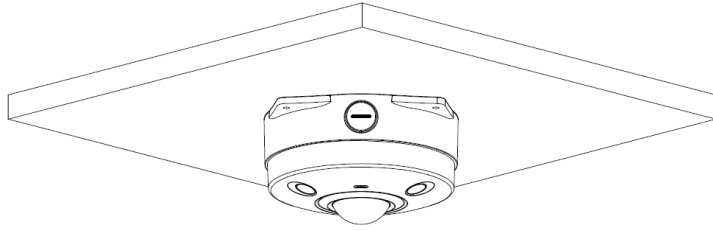
Ordering Information

Type	Part Number	Description
Camera Mount Series	DH-PFA132-E	Junction box
	PFA132-E	Junction box

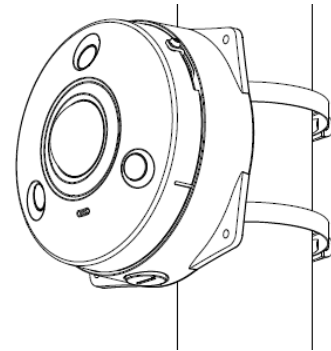
Dimension(mm/inch)



Application



Ceiling mount



Pole mount

Package Information

- Junction box *1
- M4 screw *3
- ST4 screw *4
- Plastic anchor *4
- Water-proof joint *1
- Mounting sticker *1