

IPC-HUM8241E-L5

2MP Covert Pinhole WizMind Network Camera-Lens Unit-L5



Launched by Dahua Technology, Dahua WizMind is a full portfolio of solutions composed of project-oriented products including IPC, IVSS,NVR, PTZ, XVR, Thermal and software platform which adopts industry-leading deep learning algorithms. Focusing on customer's requirements, WizMind provides precise, reliable and comprehensive AI solutions for verticals.

Series Overview

Dahua Pinhole series network camera includes one-in-all camera and separated camera. Separated camera can work with different lens to meet the requirements in different installation scenes. Pinhole Series camera is widely applied in hidden or small scenes such as banks and advertising screen.

Functions

WDR
With advanced Wide Dynamic Range (WDR) technology, Dahua network camera provides clear details in the environment of strong brightness contrast. The bright and dark area can get clear video even in high brightness environment or with backlight shadow.

Technical Specification

Camera	
Image Sensor	1/2.7" CMOS
Max. Resolution	1920 (H) × 1080 (V)
Scanning System	Progressive
Electronic Shutter Speed	Auto/Manual 1/3 s–1/100,000 s
Min. Illumination	0.005 lux@F2.0 (Color, 30 IRE) 0.0005 lux@F2.0 (B/W, 30 IRE)
S/N Ratio	>56 dB

- * The parameters and datasheets below can only be applied to 8241-S3 series.
- 2-MP 1/2.7" CMOS image sensor, low luminance, and high definition image.
- Outputs max. 2 MP (1920 × 1080)@50/60 fps.
- Separate pinhole lens comes with an 8 m coaxial cable



Lens

Lens Type	Fixed-focal
Lens Mount	M12
Focal Length	2.8 mm
Max. Aperture	F2.0
Field of View	H: 108°; V: 58°; D: 126°
Close Focus Distance	0.6 m (1.97 ft)

	Lens	Detect	Observe	Recognize	Identify
	2.8 mm	42.8 m (140.42 ft)	17.1 m (56.10 ft)	8.6 m (28.22 ft)	4.3 m (14.11 ft)
DORI Distance	*DORI (Detect, Observe, Recognize, Identify) is a standard system (EN-62676-4) for defining the ability of a person viewing the video to distinguish persons or objects within a covered area. The numbers in this table do not reflect intelligent function distances. For intelligent function distances, refer to installation and commissioning manual/project design tool.				

Environment

Operating Temperature	-40 °C to +60 °C (-40 °F to +140 °F)
Operating Humidity	≤95% (RH), non-condensing
Storage Temperature	-40 °C to +60 °C (-40 °F to +140 °F)
Storage Humidity	≤95% (RH), non-condensing

Structure

Casing Material	Metal
Product Dimensions	35 mm × 35 mm × 28.4 mm (1.38" × 1.38" × 1.12") (L × W × H)
Net Weight	44 g (0.10 lb)
Gross Weight	395 g (0.87 lb)

Ordering Information

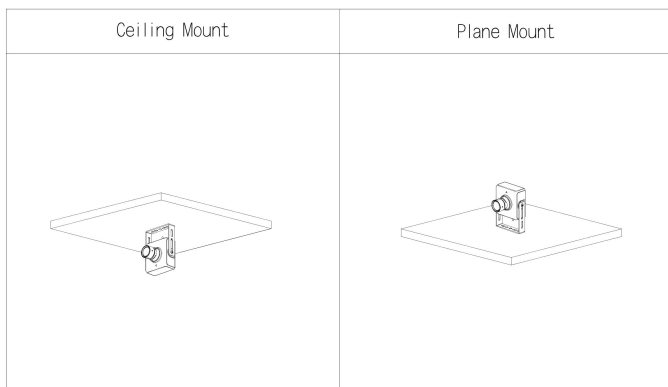
Type	Model	Description
IP CAMERA	IPC-HUM8241E-L5	2MP Covert Pinhole WizMind Network Camera- Lens Unit-L5
Accessories (Optional)	PFM900-E	Integrated Mount Tester

Accessories

Optional:



PFM900-E
Integrated Mount Tester



Dimensions (mm[inch])

