

DH-HAC-HFW1801TH-I8

4K Starlight HDCVI Fixed IR Bullet Camera



System Overview

The Lite Series is a great choice for consumers looking for high quality monitoring products at a reasonable price. Its low cost and high performance make it ideal for residential areas and SMB solutions. This series is equipped with a wide range of technologies, such as full-color and starlight, providing various solutions for different scenarios.

Functions

Wide Dynamic Range

With its advanced Wide Dynamic Range technology (WDR), the camera captures highly detailed images and produces high-definition recordings in high-contrast lighting conditions, and in scenes with backlighting or shadows.

Super Adapt

With its intelligent algorithm, the camera automatically adjusts its parameters to provide optimal performance and vivid images.

Advanced 3DNR

Dahua's advanced 3DNR technology reduces image noise with little to no impact on image sharpness, especially in poor lighting conditions. It detects the noise, and compares the sequential frames to effectively reduce the noise. It also makes efficient use of bandwidth, saving on storage space.

Smart IR Illumination

With its IR illumination, the camera provides optimal performance in low light conditions, ensuring uniformity in the brightness of B/W images. Through its smart IR technology, the camera also compensates for the distance of targets by adjusting the intensity of its IR LEDs, preventing overexposure of images as targets move closer to the camera.

* The parameters and datasheets below can only be applied to 1801-S2 series.

- Max. 15 fps@4K.
- 120 dB true WDR, 3D NR.
- Smart IR Illumination.
- 80 m illumination distance.
- Super Adapt.
- 3.6 mm fixed lens (2.8/6 mm optional).
- CVI/CVBS/AHD/TVI switchable.
- IP67, 12 VDC.



Protection (IP67, Wide Voltage)

IP67: The camera passed a series of rigorous dust and immersion tests. Its enclosure is both dust-proof and waterproof, and can function normally while being immersed in 1 m deep water for up to 30 minutes.
Wide voltage: The camera has $\pm 30\%$ input voltage tolerance (for some power supplies) and a wide voltage range, making it suitable for a variety of outdoor scenarios.

4 Signals over 1 Coaxial Cable

HDCVI technology supports 4 signals (video, audio*, data and power) which are simultaneously transmitted over a coaxial cable. Dual-way data transmission allows the HDCVI camera to interact with the XVR to perform various actions such as sending control signals and triggering alarms. HDCVI technology also supports PoC, which makes the camera easy and quick to install.

* Audio input is available for select HDCVI camera models.

Long Distance Transmission

HDCVI technology provides long distance transmission in real time without transmission loss. It supports transmission distances up to 700 m for 2-MP/5-MP/8-MP HD videos through coaxial cables, and up to 300 m through UTP cables. The results were obtained and verified through rigorous testing in Dahua's test laboratory.

Technical Specification

Camera

Pixel	8 MP
Image Sensor	4K CMOS
Max. Resolution	3840 (H) × 2160 (V)
Scanning System	Progressive
Electronic Shutter Speed	PAL: 1/25 s–1/100000 s NTSC: 1/30 s–1/100000 s
Min. Illumination	0.01 lux@F2.0 (Color, 30 IRE) 0.001 lux@F2.0 (B/W, 30 IRE) 0 lux (Illuminator on)
S/N Ratio	>65 dB
Illumination Distance	80 m (262.47 ft)
Illuminator On/Off Control	Auto/Manual
Illuminator Number	2 (IR light)
Pan/Tilt/Rotation Range	Pan: 0°–360° Tilt: 0°–90° Rotation: 0°–360°

Lens

Lens Type	Fixed-focal				
Lens Mount	M12				
Focal Length	2.8 mm; 3.6 mm; 6 mm				
Max. Aperture	F2.0				
Field of View	2.8 mm: H: 106°; V: 56°; D: 125° 3.6 mm: H: 88°; V: 46°; D: 105° 6 mm: H: 55°; V: 31°; D: 62°				
Iris Control	Fixed				
Close Focus Distance	2.8 mm: 1.3 m (4.27 ft) 3.6 mm: 1.9 m (6.23 ft) 6 mm: 3.5 m (11.48 ft)				
DORI Distance	Lens	Detect	Observe	Recognize	Identify
	2.8 mm	88 m (288.71 ft)	35.2 m (115.49 ft)	17.6 m (57.74 ft)	8.8 m (28.87 ft)
	3.6 mm	106.7 m (350.07 ft)	42.7 m (140.09 ft)	21.3 m (69.88 ft)	10.7 m (35.10 ft)
	6 mm	154.7 m (507.55 ft)	61.9 m (203.08 ft)	30.9 m (101.38 ft)	15.5 m (50.85 ft)

Video

Video Frame Rate	CVI: PAL: 4K@15 fps; 5M@25 fps; 4M@25 fps; 1080p@25 fps NTSC: 4K@15 fps; 5M@25 fps; 4M@30 fps; 1080p@30 fps TVI: PAL: 4K@15 fps NTSC: 4K@15 fps AHD: PAL: 4K@15 fps NTSC: 4K@15 fps CVBS: PAL: 960H NTSC: 960H
Resolution	4K (3840 x 2160); 5M (2880 x 1620); 4M (2560 x 1440); 1080p (1920 x 1080); 960H (960 x 576/960 x 480)
Day/Night	Auto(ICR)/Color/B/W

BLC	BLC; HLC; WDR; HLC-Pro
WDR	120 dB
White Balance	Auto/Area white balance
Gain Control	Auto/Manual
Noise Reduction	3D NR
Smart Illumination	Smart IR
Defog	Electronic defog
Mirror	Yes
Privacy Masking	Off/On (8 areas, rectangle)

Certification

Certifications	CE-LVD: EN 62368-1; CE-EMC: EN 55032; EN 55035 FCC: 47 CFR FCC Part 15, Subpart B; UL: UL62368-1 + CAN/CSA C22.2 No. 62368-1-14
----------------	--

Port

Video Output	Video output choices of CVI/TVI/AHD/CVBS by one BNC port
--------------	--

Power

Power Supply	12 VDC ± 30%
Power Consumption	Max 6.4 W (12 VDC, IR on)

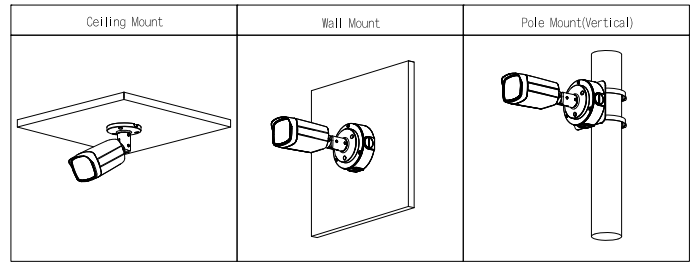
Environment

Operating Temperature	–40 °C to +60 °C (–40 °F to +140 °F)
Operating Humidity	<95% (RH), non-condensing
Storage Temperature	–40 °C to +60 °C (–40 °F to +140 °F)
Protection	IP67

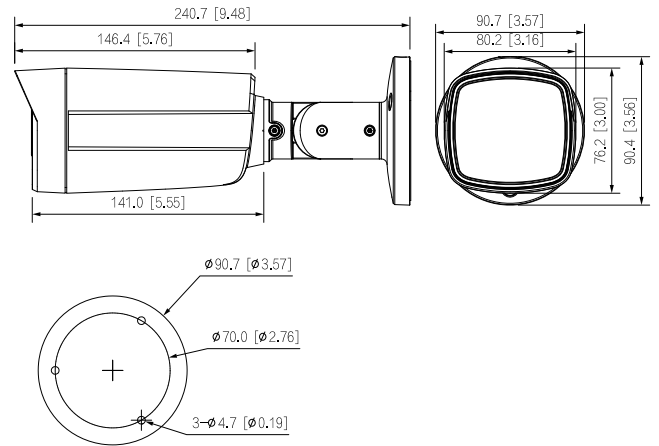
Structure

Casing Material	Metal front cover + plastic rear barrel + metal bracket
Product Dimensions	240.7 mm × 90.7 mm × 90.4 mm (9.48" × 3.57" × 3.56")
Packaging Dimensions	299 mm × 119 mm × 111 mm (11.77" × 4.69" × 4.37")
Net Weight	0.41 kg (0.90 lb)
Gross Weight	0.62 kg (1.36 lb)
Installation	Wall mount; ceiling mount; vertical pole mount

Ordering Information		
Type	Part Number	Description
4K Camera	DH-HAC-HFW1801THP-I8	4K HDCVI Fixed IR Bullet Camera, PAL
	DH-HAC-HFW1801THN-I8	4K HDCVI Fixed IR Bullet Camera, NTSC
Accessories (Optional)	PFA130-E	Junction Box
	PFA152-E	Pole Mount Bracket
	PFM800-4K	Passive HDCVI Balun
	PFM321D	12V 1A Power Adapter
	PFM904	Integrated Mount Tester



Dimensions (mm[inch])



Accessories

Optional:



PFA130-E
Junction
Box



PFA152-E
Pole Mount
Bracket



PFM800-4K
Passive HDCVI
Balun



PFM321D
12V 1A Power
Adapter



PFM904
Integrated Mount
Tester