

# DH-EAP6230-O

## Wireless Access Point



- 802.11ax outdoor wireless access point.
- Up to 3 Gbps wireless speed.
- Dual band concurrent.
- Seamless roaming.
- MU-MIMO technology delivers fast wireless network for multiple devices at the same time.
- Devices can quickly access the DoLynk Care platform and be remotely managed on it.



### Series Overview

Using MU-MIMO and OFDMA cutting edge technology, EAP Series Wireless Access Point (AP) provides wireless access through dual concurrent wireless networks. It supports concurrent connections, provides access to a large number of users and has a built-in professional high gain antenna, wide signal coverage and fast wireless speed. It meets the IEEE 802.11ax standard and is ideal for indoor scenes that require wireless network coverage.

### Security Guarantee

24/7 network security for fully linked devices, data and networks.

### Scene

It is suitable for scenes that require wireless coverage such as public facilities and the education, energy resource, and financial industries.

### Functions

#### Seamless Roaming

Seamless roaming enables a network user to remain continuously connected as they cross network boundaries.

#### Wide Coverage

Wide network coverage that can cover the entire room without any dead angles.

#### Dual-Band Wi-Fi

Both the 2.4 GHz and 5 GHz network are available for you to flexibly switch between.

#### One Network

Integrated CCTV and IT network.

#### Quick Deployment

Easy and quick network setup.

#### Efficient Maintenance

Maintenance through topology, with abundant functions for hassle-free device services.

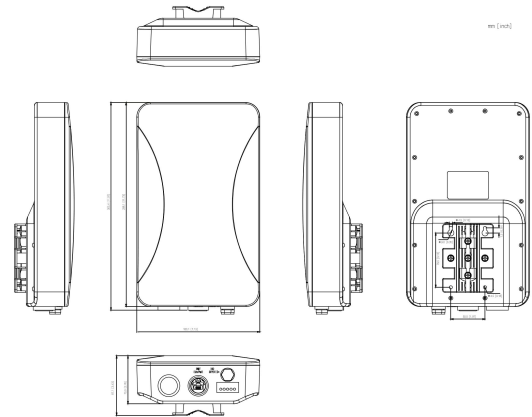
Technical Specification	
<b>Basic</b>	
Device Type	AP
<b>Hardware</b>	
WAN Port	1 × RJ-45 10/100/1000/2500 Mbps (PoE In)
LAN Port	1 × RJ-45 10/100/1000 Mbps
Power Supply	802.3 af PoE 802.3 at PoE
Antenna Type	Omnidirectional
Built-in Antenna	2.4 GHz: 2 × 3.5 dBi 5 GHz: 2 × 6 dBi
Memory	DDR: 512 MB
Indicator Light	1 × PWR 1 × SYS 4 × WAN 1 × 2.4G 1 × 5G
External Port	1 × Console
<b>Performance</b>	
Wireless Standard	2.4 GHz: IEEE 802.11b/g/n/ax 5 GHz: IEEE 802.11a/n/ac/ax
Wireless Transmission Rate	2.4 GHz: 574 Mbps 5 GHz: 2402 Mbps
Operating Frequency	2.4 GHz–2.484 GHz 5.150 GHz–5.850 GHz
Channel Width	2.4 GHz: 20/40/80 MHz 5 GHz: 20/40/80/160 MHz
2.4 GHz Antenna Gain	3.5 dBi
5 GHz Antenna Gain	6 dBi
Max. Output Power	CE EIRP: ≤20 dBm@2400-2483.5 MHz ≤23 dBm@5150-5250 MHz ≤23 dBm@5250-5350 MHz ≤27 dBm@5470-5725 MHz ≤14 dBm@5725-5850 MHz
2.4 GHz Max Power Output	26 dBm
5 GHz Max Power Output	25 dBm
Receiver Sensitivity	11ac VHT20_MCS0:-88 dBm 11ac VHT20_MCS8:-67 dBm 11ac VHT40_MCS0:-88 dBm 11ac VHT40_MCS7:-64 dBm 11ax HE20_MCS0:-88 dBm 11ax HE20_MCS11:-61 dBm 11ax HE40_MCS0:-88 dBm 11ax HE40_MCS11:-58 dBm
Max. Transmission Distance	100 m (328.08 ft)
Optimal Transmission Distance	80 m (262.47 ft)
SSID Number	2.4 GHz: 4 5 GHz: 4
Connected Wireless Terminals	2.4 GHz: 64 5 GHz: 64

PoE	PoE In: 802.3af/at (15 W/30 W)
<b>Function</b>	
Equipment Management	Web; platform; app
Network Protocol	TCP/IP;IPv4;UDP;NTP;DHCP;DNS;QoS;ICMP;ARP;IP Filter;TCP;SMB;NFS;MQTT;802.11k;802.11v;802.11e;WMM;IGMP V3
Operating Mode	FIT AP FAT AP Gateway mode
Encryption Mode	No Encryption WPA/WPA2PSK; WPA2/WPA3PSK
Firmware Update	Web update;Cloud update
Security Mechanism	IP address filtering; MAC address filtering
OFDMA	Yes
MU-MIMO	Yes
Beamforming	Yes
TWT	No
DHCP	Yes (under gateway mode)
NAT	Yes (under gateway mode)
QoS	Yes
DDNS	No
Wireless Repeater	No
MESH	No
Software	Device Management: setup wizard; network connection method; back up/restore configuration; restore factory defaults; schedule restart; system logs; change password; firmware upgrade; system time; fat/fit mode self-adaptation; cloud platform configuration AP Management: SSID configuration; VLAN ID configuration; frequency configuration; country/region configuration; 5G-Prior access configuration; scheduled Wi-Fi shutdown Client Management: MAC ACL; user isolation; limit users that can access
<b>General</b>	
Power Consumption	Full load: 16 W Idling: 5.6 W
Operating Temperature	-20 °C to +55 °C (-4 °F to +131 °F)
Storage Temperature	-40 °C to +70 °C (-40 °F to +158 °F)
Operating Humidity	5%–95% (RH), non-condensing
Net Weight	1.06 kg (2.34 lb)
Gross Weight	1.62 kg (3.57 lb)
Product Dimensions	304 mm × 230 mm × 107 mm (11.97" × 9.06" × 4.01") (L × W × H)
Packaging Dimensions	380 mm × 230 mm × 107 mm (14.96" × 9.06" × 4.01") (L × W × H)
Protection	IP65
Statics Protection	Air discharge: 8 kV Contact discharge: 6 kV

# Wireless Access Point | DH-EAP6230-O

Lightning Protection	Common mode: 4 kV Differential mode: 2 kV
Installation	Pole mount (recommended) Wall mount (might affect signal coverage)
Certifications	CE
Packing List	1 × Device 1 × Pole-mounting Kit 1 × Wall-mounting Kit 1 × Waterproof Kit 1 × PoE Adapter 1 × Quick Start Guide 1 × Legal and Regulatory Information 1 × Bracket

## Dimensions (mm[inch])



## Ordering Information

Type	Model	Description
Wireless Access Point	DH-EAP6230-O	Wireless Access Point

## Installation

