

DS-PD512DT15**Bus Indoor Dual-Tech Detector**

- Accurate motion detection with 15m / 90° coverage and up to 30 kg pet immunity in low sensitivity
- 3D optics including creep-zone protection
- 24G microwave technology providing robust anti-interference performance and high-resolution capabilities
- Digital temperature compensation
- Remote configuration and control via mobile App
- Multiple enrollment method and easy installation design

▪ Specification

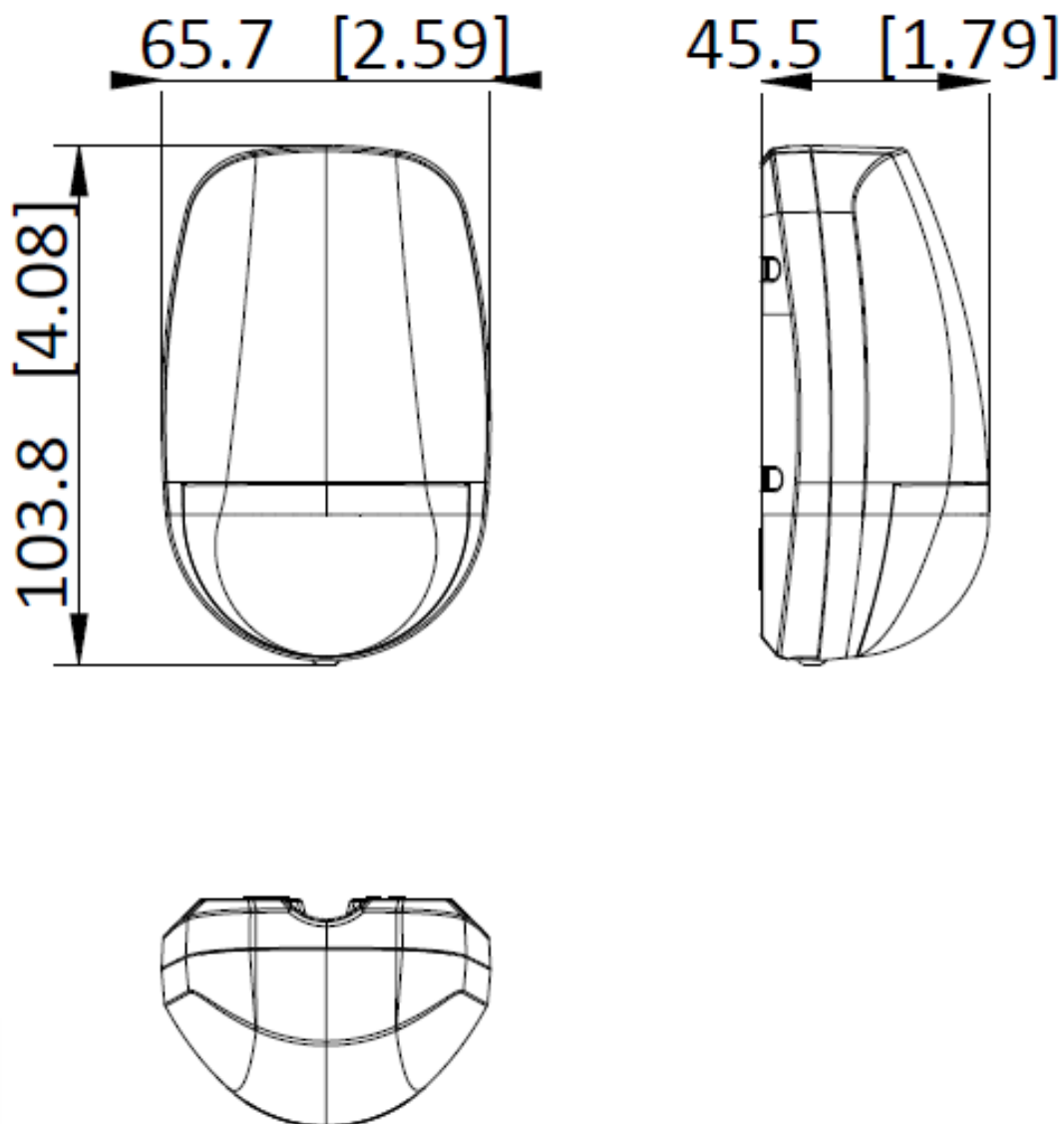
| Model | | DS-PD512DT15 |
|--------------------------|-----------------------|--|
| PIR detection | Detection method | Passive Infrared, Microwave |
| | Detection range | 15 m |
| | Detection angle | 90° |
| | Detection zones | 84 |
| | Detection planes | 7 |
| | Detectable speed | 0.3 m/s ~ 2 m/s |
| | Sensitivity | Low, Normal, High |
| | Microwave frequency | 24GHz(24.15 ~ 24.25GHz) |
| | Pet immunity | 30 kg |
| | White light filter | 6500 lux |
| | Sealed optics | √ |
| | Digital processing | √ |
| Temperature compensation | √ | |
| Bus interconnection | Bus-extender | × |
| | Bus technology | Half-Duplex RS-485 |
| | Bus wiring | 4-Core Alarm Cable (at least 2×0.5mm ² +2×0.22mm ²) |
| Power supply - general | Input voltage | 12 VDC nominal (9~24 VDC), powered by bus |
| | Quiescent current | 9 mA @12VDC |
| | Max. current | 13 mA @12VDC |
| Environmental | Operating temperature | -10°C to 50°C (14°F to 122°F), indoor use only |
| | Storage temperature | -20°C to 60°C (-4°F to 140°F) |
| | Relative humidity | 10% ~ 90% non-condensing |
| Physical | Dimension (W × H × D) | 65.7 mm × 103.8 mm × 45.5 mm |
| | Weight | 100 g |
| | Tamper-proof | Front |
| | Installation method | Wall mount & Ceiling mount (with bracket) |

| | | |
|-------------------|-----------------------|--|
| | Bracket | DS-PDB-IN-Ceilingbracket (Optional) DS-PDB-IN-Wallbracket (Optional) DS-PDB-IN-UBKT2(Optional) |
| | Mounting height | 1.8 m ~ 2.4 m, 2.1 m typical |
| Compliance | Electrical conformity | CE, CB |
| | EN 50131 | Security Grade 2, Environmental Class II |

▪ **Available Model**




DS-PD512DT15

▪ **Dimension**



▪ **Accessory**

▪ **Optional**

| DS-PDB-IN-Wallbracket Internal wall mounted bracket | DS-PDB-IN-UBKT2 Internal universal bracket2 | DS-PDB-IN-Ceiling bracket Internal ceiling mounted bracket |
|--|--|---|
|  A white, rectangular wall-mounted bracket with a central mounting hole and a protruding connector on the right side. |  A white, circular universal bracket with a central mounting hole and a protruding connector on the right side. |  A white, L-shaped ceiling-mounted bracket with a flat top surface and a protruding connector on the bottom side. |

See Far, Go Further



www.hikvision.com
support@hikvision.com

