

A solid red horizontal banner with rounded ends on the right side, containing the product name in white text.

**DS-PDC10DM-EG2-WE**  
**Wireless External DT Detector**

- · Slim design for window frame installation
- · IP65 weather resistance for outdoor application
- · Active IR anti-masking
- · Multiple enrollment methods and easy installation
- · Frequency hopping against jamming for reliable transmission

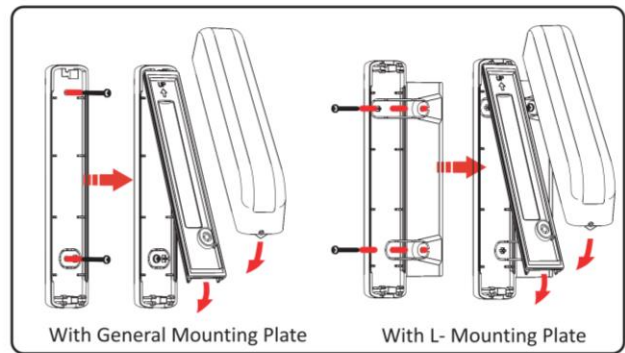
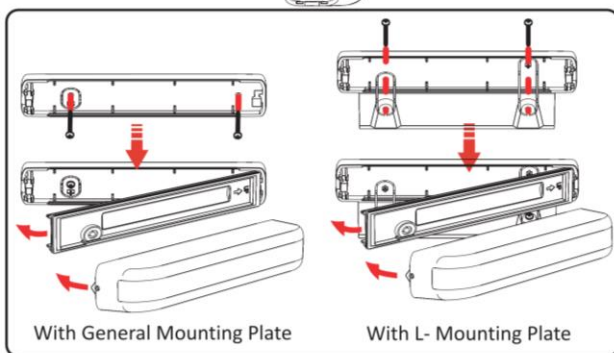
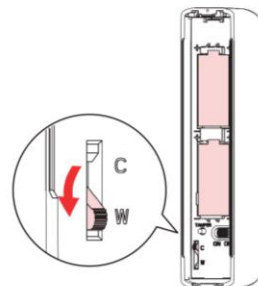
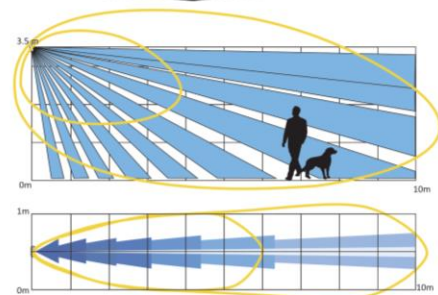
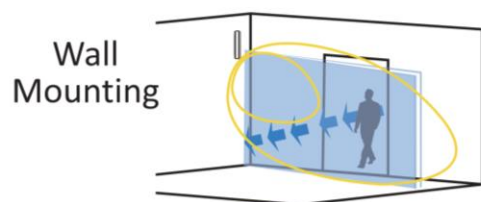
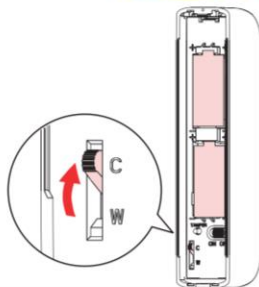
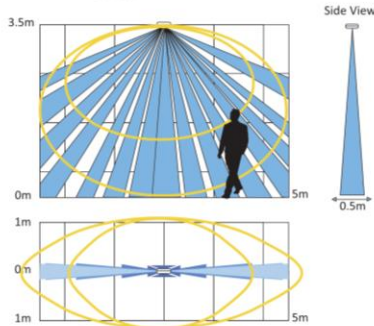
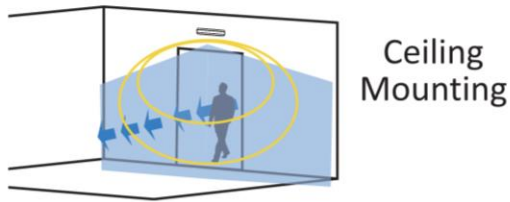


## ▪ Specification

	Model	DS-PDC10DM-EG2-WE
<b>Detection Performance</b>	Detection Method	Passive Infrared,Microwave
	Detection Range	Wall Mount: 10m Ceiling Mount: 5m
	Detection Angle	5°
	Detection Zones	32
	Detectable Speed	0.3~2m/s
	Sensitivity	Auto,Pet
	White Light Filter	6500lux
	Pet Immunity	Wall Mount: 12Kg Ceiling Mount: None
	Microwave Frequency	24GHz(24.15 to 24.25GHz)
	Digital Temperature Compensation	Support
	Creep Zone Protection	Support
	Anti-masking	Support
<b>Feature</b>	Digital Processing	Support
	Sealed Optics	Support
	Tamper Protection	Front,Rear
	Environment Temperature Indicator	Support
	Signal Strength Indicator	Support
<b>Interface</b>	Power Switch	Power Up Enrolling
	LED Indicator	Green(PIR), Red(Microwave), Green+Orange(Mask), Blue(Alarm)
<b>Transmission</b>	Transmission Technology	Tri-X Wireless
	Transmission Method	Two-Way RF Wireless
	Transmission Frequency	868MHz
	Transmission Security	AES-128 Encryption
	Transmission Range(Free Space)	1.6Km
	Frequency Hopping	Support
	Enrolling Method	Power up,Remote ID,QR Code
<b>Electrical Characteristics</b>	Standard Battery Life	5 years in work status (being triggered 20 times per day)
	Power Supply	Battery Powered
	Battery Type	CR123A × 2
	Typical Voltage	3V
<b>General</b>	Operation Temperature	-10 °C to 55 °C (14 °F to 131 °F)
	Storage Temperature	-20 °C to 60 °C (-4 °F to 140 °F)
	Operation Humidity	10% to 90%
	IP Rate	IP65
	Dimension(WxHxD)	29.2mm × 134.4mm × 39.5mm
	Weight	120g

Mounting Height	2 to 3.5m
Mounting Method	Wall,Ceiling
Application Scenario	Indoor,Outdoor
Bracket	L-shaped adapter included

▪ **Installation**



▪ **Available Model**

DS-PDC10DM-EG2-WE