

DS-PDC10AM-EG2-WE Wireless External PIR Detector



- · Slim design for window frame installation
- · IP65 weather resistance for outdoor application
- · Active IR anti-masking
- · Multiple enrollment methods and easy installation
- · Frequency hopping against jamming for reliable transmission

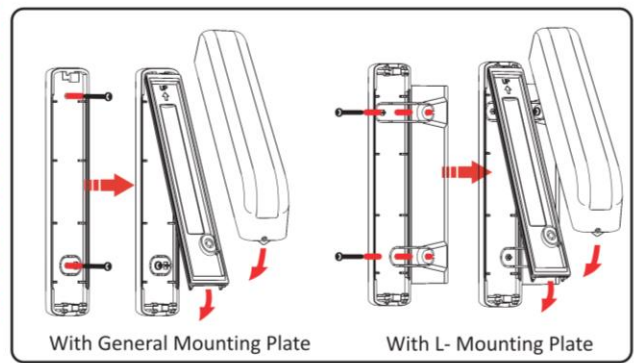
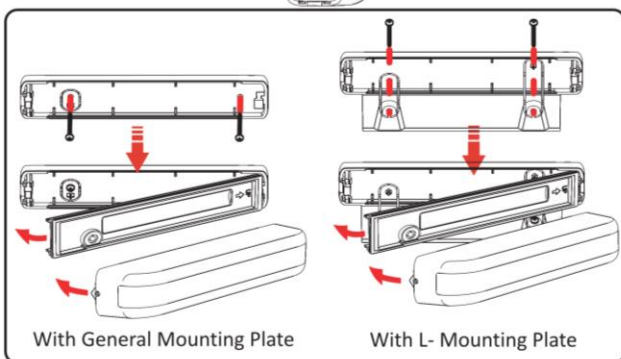
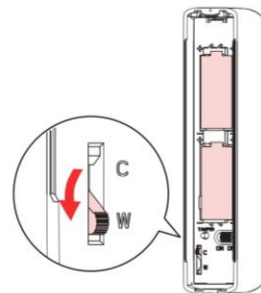
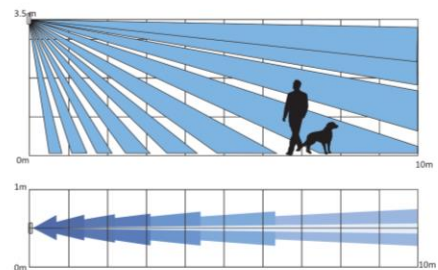
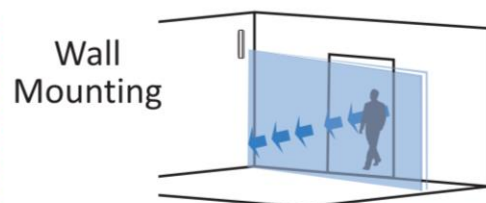
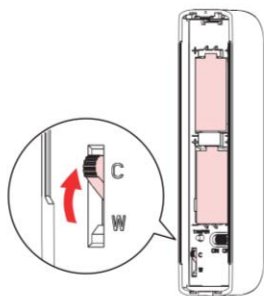
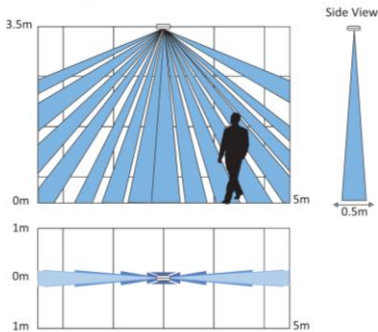
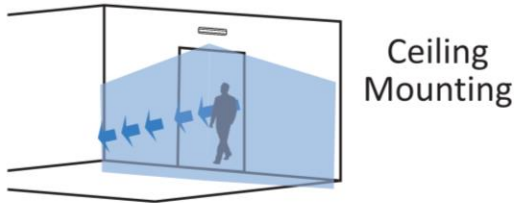


▪ Specification

	Model	DS-PDC10AM-EG2-WE
Detection Performance	Detection Method	Passive Infrared
	Detection Range	Wall Mount: 10m Ceiling Mount: 5m
	Detection Angle	5°
	Detection Zones	32
	Detectable Speed	0.3 to 2m/s
	Sensitivity	Auto,Pet
	White Light Filter	6500lux
	Pet Immunity	Wall Mount: 12Kg Ceiling Mount: None
	Digital Temperature Compensation	Support
	Creep Zone Protection	Support
Feature	Anti-masking	Support
	Digital Processing	Support
	Sealed Optics	Support
	Tamper Protection	Front,Rear
	Environment Temperature Indicator	Support
Interface	Signal Strength Indicator	Support
	Power Switch	Power Up Enrolling
Transmission	LED Indicator	Blue(Alarm), Green+Orange(Mask)
	Transmission Technology	Tri-X Wireless
	Transmission Method	Two-Way RF Wireless
	Transmission Frequency	868MHz
	Transmission Security	AES-128 Encryption
	Transmission Range(Free Space)	1.6Km
	Frequency Hopping	Support
Electrical Characteristics	Enrolling Method	Power up,Remote ID,QR Code
	Standard Battery Life	5 years in work status (being triggered 20 times per day)
	Power Supply	Battery Powered
	Battery Type	CR123A × 2
General	Typical Voltage	3V
	Operation Temperature	-10 °C to 55 °C (14 °F to 131 °F)
	Storage Temperature	-20 °C to 60 °C (-4 °F to 140 °F)
	Operation Humidity	10% to 90%
	IP Rate	IP65
	Dimension(WxHxD)	29.2mm × 134.4mm × 39.5mm
	Weight	118.5g
	Mounting Height	2 to 3.5m
Mounting Method	Wall,Ceiling	

Application Scenario	Indoor,Outdoor
Bracket	L-shaped adapter included

▪ **Installation**



▪ **Available Model**

DS-PDC10AM-EG2-WE