

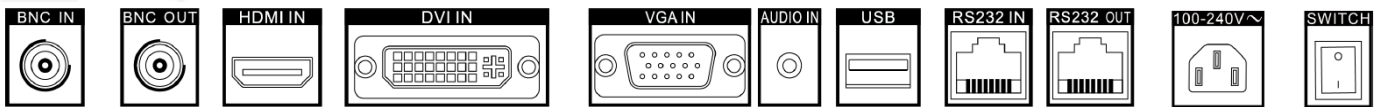
## DS-D5043FL-B 43 inch FHD Monitor



### Key Features

- Supports 8 bit dual-channel LVDS (1920 x 1080) HD display.
- Adopts 3D digital comb filter and 3D noise reduction technology.
- Adopts 12-bit RGB gamma calibration technology.
- Built-in infrared remote control receiver, integrated design, beautiful appearance.
- Fine factory settings.
- Software spread spectrum technology can reduce EMI radiation.
- BNC interface supports one-channel CVBS surveillance video input and CVBS loop out.
- Supports multi-media broadcasting in text, picture, audio and video formats.
- Fan-less design provides energy-saving operation.
- Supports one-touch quiescence and high temperature alarm.
- Supports USB software update.
- Supports 3.5 mm audio input.
- Supports 7 x 24 hours working mode.
- Adopts Mstar ACE-5 auto-coloring and image-enhancing engine to improve image contrast, detail, skin color, edge, etc.

### Physical Interface



Interface	Description	Interface	Description
BNC IN	CVBS signal input	USB	USB interface
BNC OUT	CVBS signal loop out	RS232 IN	Serial port input
HDMI IN	HDMI digital signal input	RS232 OUT	Serial port output
DVI IN	DVI signal input	100-240V~	Power supply
VGA IN	VGA signal input	SWITCH	Power switch
AUDIO IN	3.5 mm audio input		



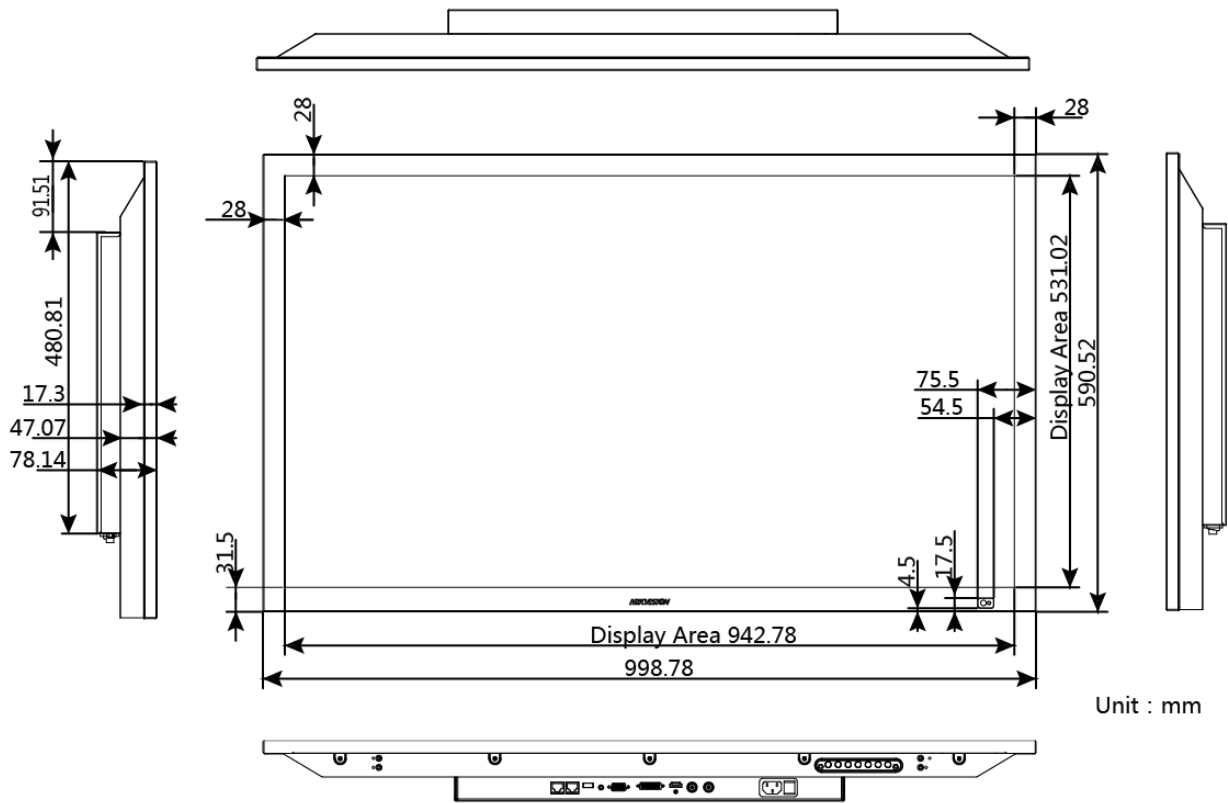
## Specifications

Model		DS-D5043FL-B
Display	Screen size	43 inch
	Active display area	942.78 (H) x 531.02 (V) mm (37.11 x 20.91 inch)
	Backlight	LED
	Pixel pitch	490.05 (H) x 490.05 (V) um
	Border width	28.5 mm (left side, right side), 28.5 mm (top), 31 mm (bottom)
	Resolution	1920 x 1080
	Brightness	500 nit
	Viewing angle	178@CR > 10
	Color depth	8 bit
	Contrast ratio	100000: 1(Dynamic)
	Response time	8 ms
	Refresh rate	60 Hz
	Color gamut	72 % NTSC
	Haze	1.00 %
	Reliability	7 x 24 H
Interface	Video & audio input	VGA x 1, DVI x 1, HDMI x 1, BNC IN x 1 AUDIO IN x 1
	Video & audio output	BNC OUT x 1 Built-in audio x 2
	Data transmission interface	USB x 1
	Control interface	RS-232 IN x 1, RS-232 OUT x 1
General	Casing material	SECC
	VESA	400 (H) x 300 (V) mm (15.04 x 11.81 inch)
	Power supply	100 to 240 VAC, 50/60 Hz
	Power consumption	118 W
	Standby consumption	1 W
	Working temperature	0 °C to 40 °C (32 °F to 104 °F)
	Working humidity	10 % to 80 % RH
	Storage temperature	-20 °C to 60 °C (-4 °F to 140 °F)
	Storage humidity	10 % to 80 % RH
	Product dimensions	998.78 x 590.52 x 78.24 mm (39.32 x 23.24 x 3.08 inch)
	Package dimension	1192 x 752 x 208 mm (46.93 x 29.61 x 8.18 inch)
	Net weight	21 Kg (46.3 lb.)
Gross weight	23 Kg (50.71 lb.)	
Accessory	Remote control x 1, Serial port adaptor x 1, Carbon dry battery x 2, network cable x 1, Power cable x 1, CD-ROM x 1	

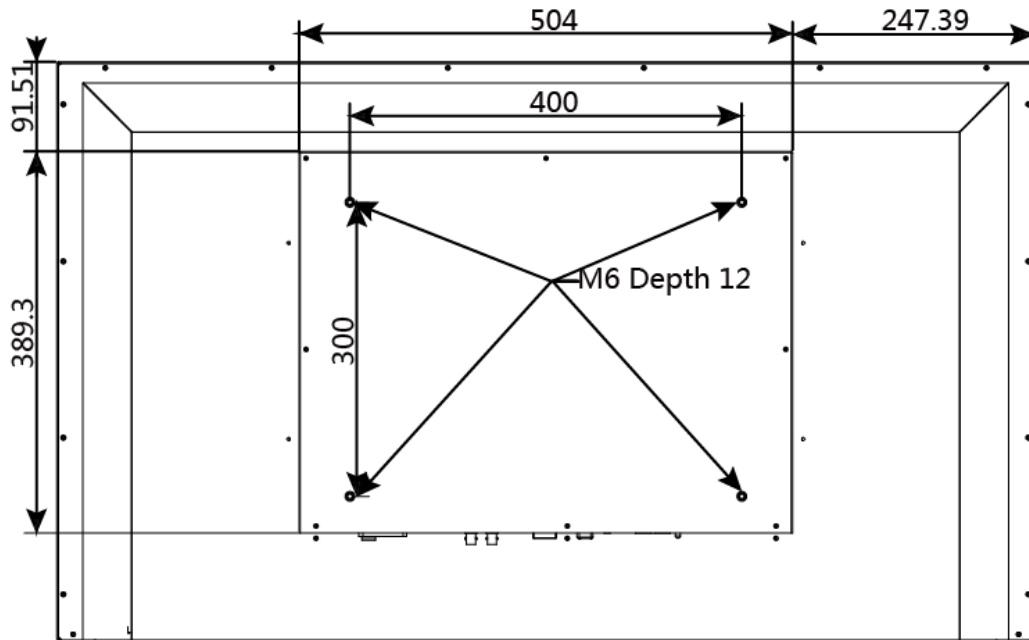
## Available Model

DS-D5043FL-B

Appearance



Unit : mm



Unit : mm