

DS-2DT5432MWG-T (PA) 4 MP 32 × Network IR Speed Dome



Hikvision DS-2DT5432MWG-T(PA) 4MP 32× Network IR Speed Dome adopts 1/2.8" progressive scan CMOS chip. With the 32× optical zoom lens, the camera offers more details over expansive areas.

This series of cameras can be widely used for wide ranges of high-definition, such as the rivers, forests, roads, railways, airports, ports, squares, parks, scenic spots, stations and large venues, etc.

Hikvision has been dedicated to develop products with security since established.

Hikvision always follows security by design principle and has adopted many methods of security technologies into our product development lifecycle, including terminal security, data security, application security, network security, and privacy protection. In the meantime, the security technologies used by Hikvision are all in compliance with local applicable laws and safety regulations. These security measures could enhance product's cyber security protection capability and protect your devices as well as your data from malicious cyber attacks.

- 1/2.8" progressive scan CMOS
- High quality imaging with 4 MP resolution
- Excellent low-light performance with powered-by-DarkFighter technology
- 32× optical zoom and 16× digital zoom provide close up views over expansive areas
- Expansive night view with up to 100 m IR distance
- Water and dust resistant (IP67)
- Anti-corrosion polymer enclosure, protecting cameras to be used in corrosive environments, providing reliability and longevity compared to standard cameras

▪ Specification

| Camera | |
|------------------------|--|
| Image Sensor | 1/2.8" progressive scan CMOS |
| Min. Illumination | Color: 0.005 Lux @ (F1.6, AGC ON), B/W: 0.001 Lux @ (F1.6 , AGC ON), 0 Lux with IR |
| Shutter Speed | 1s to 1/30,000 s |
| Slow Shutter | Yes |
| Day & Night | IR cut filter |
| Zoom | 32x optical, 16x digital |
| Max. Resolution | 2560 × 1440 |
| Lens | |
| Focus | Auto, semi-auto, manual |
| Focal Length | 4.8mm to 153.6mm |
| Zoom Speed | Approx. 4.3 s |
| FOV | Horizontal field of view: 55° to 2.5° (wide-tele), Vertical field of view: 30.86° to 1.48° (wide-tele), Diagonal field of view: 60.38° to 3° (wide-tele) |
| Aperture | Max. F1.6 |
| Illuminator | |
| Supplement Light Type | Hybrid |
| Supplement Light Range | IR Distance: up to 100 m White Light Distance: up to 30 m |
| IR Wavelength | 850nm |
| Smart Supplement Light | Yes |
| PTZ | |
| Movement Range (Pan) | 360° |
| Movement Range (Tilt) | -15° to 90° (auto flip) |
| Pan Speed | Pan speed: configurable from 0.1° to 100°/s; preset speed: 100°/s |
| Tilt Speed | Tilt speed: configurable from 0.1° to 100°/s; preset speed 100°/s |
| Proportional Pan | Yes |
| Presets | 300 |
| Patrol Scan | 8 patrols, up to 32 presets for each patrol |
| Pattern Scan | 4 pattern scans, record time over 10 minutes for each scan |
| Power-off Memory | Yes |
| Park Action | Preset, pattern scan, patrol scan, auto scan, tilt scan, random scan, frame scan, panorama scan |
| 3D Positioning | Yes |
| PTZ Status Display | Yes |
| Preset Freezing | Yes |
| Scheduled Task | Preset, pattern scan, patrol scan, auto scan, tilt scan, random scan, frame scan, panorama scan, dome reboot, dome adjust, aux output |
| Video | |
| Main Stream | 50 Hz: 25 fps (2560 × 1440, 1920 × 1080, 1280 × 960, 1280 × 720); 60 Hz: 30 fps (2560 × 1440, 1920 × 1080, 1280 × 960, 1280 × 720) |
| Sub-Stream | 50 Hz: 25 fps (704 × 576, 640 × 480, 352 × 288) 60 Hz: 30 fps (704 × 480, 640 × 480, 352 × 240) |

| | |
|-----------------------------|--|
| Third Stream | 50 Hz: 25 fps (1920 × 1080, 1280 × 960, 1280 × 720, 704 × 576, 640 × 480, 352 × 288) 60 Hz: 30 fps (1920 × 1080, 1280 × 960, 1280 × 720, 704 × 480, 640 × 480, 352 × 240) |
| Video Compression | Main stream: H.265+/H.265/H.264+/ H.264 Sub-stream: H.265/H.264/MJPEG Third stream: H.265/H.264/MJPEG |
| Video Bit Rate | 32 Kbps to 16384 Kbps |
| H.264 Type | Baseline Profile/Main Profile/High Profile |
| H.265 Type | Main Profile |
| Scalable Video Coding (SVC) | H.264 and H.265 encoding |
| Region of Interest (ROI) | 8 fixed regions for each stream |
| Audio | |
| Audio Compression | PCM/G.726/MP3/G.711/G.722.1/MP2L2/AAC-LC |
| Audio Bit Rate | 8~48 Kbps(PCM)/16 Kbps(G.726)/8~320 Kbps(MP3)/64 Kbps(G.711)/16 Kbps(G.722.1)/32~192 Kbps(MP2L2)/16~64 Kbps(AAC-LC) |
| Audio Sampling Rate | 32kHz/48kHz/8kHz/16kHz |
| Environment Noise Filtering | Yes |
| Network | |
| Smooth Streaming | Yes |
| Network Storage | NAS (NFS, SMB/ CIFS), ANR |
| Protocols | IPv4/IPv6, HTTP, HTTPS, 802.1x, QoS, FTP, SMTP, UPnP, SNMP, DNS, DDNS, NTP, RTSP, RTCP, RTP, TCP/IP, UDP, IGMP, ICMP, DHCP, PPPoE, Bonjour, WebSocket, WebSockets |
| API | ISUP, ISAPI, Hikvision SDK, Open Network Video Interface (Profile S, Profile G, Profile T) |
| Simultaneous Live View | Up to 20 channels |
| User/Host | Up to 32 users 3 user levels: administrator, operator, and user |
| Security | Password protection, complicated password, HTTPS encryption, 802.1X authentication (EAP-TLS, EAP-LEAP, EAP-MD5), watermark, IP address filter, basic and digest authentication for HTTP/HTTPS, RTP/RTSP over HTTPS, control timeout settings, security audit log, TLS 1.3, host authentication (MAC address) |
| Client | HikCentral, iVMS-4200, Hik-Connect |
| Web Browser | IE11, Chrome 57.0+, Firefox 52.0+, Safari 11+ |
| Image | |
| Day/Night Switch | Night, Schedule, Day, Auto |
| Image Enhancement | BLC, HLC, 3D DNR |
| Wide Dynamic Range (WDR) | 120 dB |
| Defog | Digital defog |
| Image Stabilization | No |
| Regional Exposure | Yes |
| Regional Focus | Yes |
| Image Settings | saturation, WDR, image flip, brightness, AGC, contrast, white balance, sharpness |
| Image Parameters Switch | Yes |
| Privacy Mask | Up to 24 masks, mosaic mask, mask color configurable, rectangle region |
| SNR | ≥ 52 dB |
| Interface | |
| Reset | Yes |
| Ethernet Interface | 1 RJ45 10M/100M self-adaptive Ethernet port |

| | |
|-------------------------------|---|
| On-board Storage | Built-in memory card slot, support microSD/microSDHC/microSDXC cards, up to 256 GB |
| Alarm | 2 inputs, 1 outputs |
| Audio | 1 input (line in), max. input amplitude: 2-2.4 vpp, input impedance: 1 K Ω \pm 10%; 1 output (line out), line level, output impedance: 600 Ω |
| RS-485 | Half duplex, HIKVISION, Pelco-P, Pelco-D, self-adaptive |
| Event | |
| Basic Event | Motion Detection, Video Tampering, Alarm Input, Alarm Output, Exception, Audible Alarm Output |
| Smart Event | Audio Exception Detection, Face Detection, Intrusion Detection, Line Crossing Detection, Region Entrance Detection, Region Exiting Detection, Unattended Baggage Detection, Object Removal Detection |
| Smart Tracking | Manual tracking, auto-tracking |
| Linkage | Send Email, Notify Surveillance Center, Upload to FTP/Memory Card/NAS, Audible Warning, Trigger Alarm Output, Trigger Recording |
| Deep Learning Function | |
| Perimeter Protection | Line crossing, intrusion, region entrance, region exiting Support alarm triggering by specified target types (human and vehicle) |
| General | |
| Power | 12 VDC \pm 25%, max. 22 W |
| Material | PA*+50% glass fiber |
| Operating Condition | Temperature: -30°C to 65°C (-22°F to 149°F), Humidity: \leq 95% |
| General Function | heartbeat, mirror, flash log, password reset via e-mail, pixel counter, password protection, one-key reset, three streams |
| Heater | No |
| De-icing | No |
| Demist | Yes |
| Language | 33 languages: English, Russian, Estonian, Bulgarian, Hungarian, Greek, German, Italian, Czech, Slovak, French, Polish, Dutch, Portuguese, Spanish, Romanian, Danish, Swedish, Norwegian, Finnish, Croatian, Slovenian, Serbian, Turkish, Korean, Traditional Chinese, Thai, Vietnamese, Japanese, Latvian, Lithuanian, Portuguese (Brazil), Ukrainian |
| Wiper | No |
| Dimension | \varnothing 213.5 \times 326.4mm |
| Weight | Approx. 4.3 kg (9.46 lb.) |
| Approval | |
| EMC | CE-EMC (EN 55032:2015, EN 61000-3-2:2019, EN 61000-3-3:2013, EN 50130-4:2011+A1:2014); RCM (AS/NZS CISPR 32:2015); IC (ICES-003: Issue 7); KC (KN 32:2015, KN 35:2015) |
| Safety | CB (IEC 62368-1:2014+A11); CE-LVD (EN 62368-1:2014/A11:2017) |
| Environment | CE-RoHS (2011/65/EU); WEEE (2012/19/EU); Reach (Regulation (EC) No 1907/2006) |
| Anti-Corrosion Protection | NEMA 4X (NEMA 250-2018), C5 |

| | |
|------------|--|
| Protection | IP67 Standard, 6000V Lightning Protection, Surge Protection and Voltage Transient Protection |
|------------|--|

*The device defaults to wall mounting. If you require a ceiling mount, please specify in your order notes.

▪ DORI

The DORI (detect, observe, recognize, identify) distance gives the general idea of the camera ability to distinguish persons or objects within its field of view.

It is calculated based on the camera sensor specification and the criteria given by EN 62676-4:2015.

| DORI | Detect | Observe | Recognize | Identify |
|-----------------|----------------------|---------------------|----------------------|----------------------|
| Definition | 25 px/m | 63 px/m | 125 px/m | 250 px/m |
| Distance (Tele) | 3072 m (10078.7 ft.) | 1219 m (3999.3 ft.) | 614.4 m (2015.7 ft.) | 307.2 m (1007.9 ft.) |

▪ Typical Application

Hikvision products are classified into three levels according to their anti-corrosion performance. Refer to the following description to choose for your using environment.

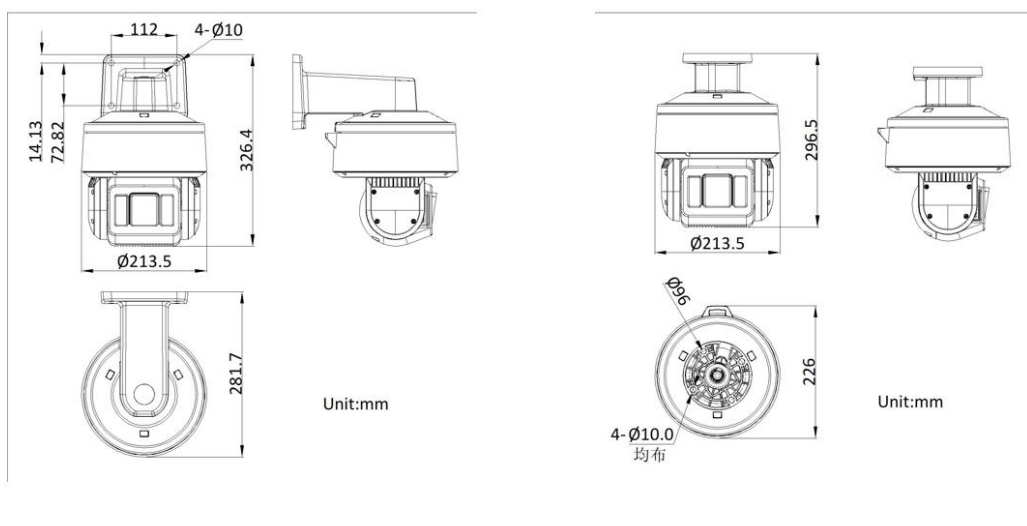
This model has Top-level protection.

| Level | Description |
|------------------------|--|
| Top-level protection | Hikvision products at this level are equipped for use in areas where professional anti-corrosion protection is a must. Typical application scenarios include coastlines, docks, chemical plants, and more. |
| Moderate protection | Hikvision products at this level are equipped for use in areas with moderate anti-corrosion demands. Typical application scenarios include coastal areas about 2 kilometers (1.24 miles) away from coastlines, as well as areas affected by acid rain. |
| No specific protection | Hikvision products at this level are equipped for use in areas where no specific anti-corrosion protection is needed. |

▪ Available Model

DS-2DT5432MWG-T(PA)

▪ Dimension



- **Accessory**
- **Optional**

DS-4680ZJ-GP
Junction box



See Far, Go Further



www.hikvision.com
support@hikvision.com

