

DS-2CD2647G2T-LZS 4 MP ColorVu Motorized Varifocal Bullet Network Camera

ColorVu



Hikvision ColorVu technology provides 24/7 vivid colorful images with F1.0 advanced lenses and high performance sensors. F1.0 super-aperture collects more light to produce brighter images. Advanced sensor technology can vastly improve the utilization of available light.

- High quality imaging with 4 MP resolution
- Motorized varifocal lens for easy installation and monitoring
- 24/7 colorful imaging
- Clear imaging against strong backlight due to 130 dB WDR technology
- Focus on human and vehicle targets classification based on deep learning
- Efficient H.265+ compression technology
- Water and dust resistant (IP67) and vandal resistant (IK10)

▪ Specification

| Camera | |
|-----------------------------|--|
| Image Sensor | 1/1.8" Progressive Scan CMOS |
| Max. Resolution | 2688 × 1520 |
| Min. Illumination | Color: 0.0005 Lux @ (F1.0, AGC ON), 0 Lux with light |
| Shutter Time | 1/3 s to 1/100,000 s |
| Angle Adjustment | Pan: 0° to 355°, tilt: 0° to 90°, rotate: 0° to 360° |
| Day & Night | 24/7 color imaging |
| Lens | |
| Lens Type | Varifocal lens, motorized lens, 2.8 to 12 mm |
| Focal Length & FOV | 2.8 to 12 mm, horizontal FOV 105.4° to 56.4°, vertical FOV 53.9° to 31.6°, diagonal FOV 131.8° to 65.1° |
| Lens Mount | Integrated |
| Iris Type | DC iris |
| Aperture | F1.0 |
| Depth of Field | 1.9 m to ∞ |
| DORI | |
| DORI | D: 66.8 m to 110.4 m, O: 26.5 m to 43.8 m, R: 13.4 m to 22.1 m, I: 6.7 m to 11 m |
| Illuminator | |
| Supplement Light Type | White Light |
| Supplement Light Range | Up to 60 m |
| Smart Supplement Light | Yes |
| Video | |
| Main Stream | 50 Hz: 25 fps (2688 × 1520, 1920 × 1080, 1280 × 720) 60 Hz: 30 fps (2688 × 1520, 1920 × 1080, 1280 × 720) |
| Sub-Stream | 50 Hz: 25 fps (1280 × 720, 640 × 480, 640 × 360) 60 Hz: 30 fps (1280 × 720, 640 × 480, 640 × 360) |
| Third Stream | 50 Hz: 10 fps (1920 × 1080, 1280 × 720, 640 × 480, 640 × 360) 60 Hz: 10 fps (1920 × 1080, 1280 × 720, 640 × 480, 640 × 360) *Third stream is supported under certain settings. |
| Video Compression | Main stream: H.265/H.264/H.265+/H.264+ Sub-stream: H.265/H.264/MJPEG Third stream: H.265/H.264 *Third stream is supported under certain settings. |
| Video Bit Rate | 32 Kbps to 8 Mbps |
| H.264 Type | Baseline Profile, Main Profile, High Profile |
| H.265 Type | Main Profile |
| Bit Rate Control | CBR, VBR |
| Scalable Video Coding (SVC) | H.264 and H.265 encoding |
| Region of Interest (ROI) | 1 fixed region(s) for main stream and sub-stream |
| Audio | |
| Audio Compression | G.711/G.722.1/G.726/MP2L2/PCM/MP3/AAC-LC |
| Audio Bit Rate | 64 Kbps (G.711ulaw/G.711alaw)/16 Kbps (G.722.1)/16 Kbps (G.726)/32 to 192 Kbps (MP2L2)/8 to 320 Kbps (MP3)/16 to 64 Kbps (AAC-LC) |
| Audio Sampling Rate | 8 kHz/16 kHz/32 kHz/44.1 kHz/48 kHz |
| Environment Noise Filtering | Yes |

| Network | |
|--------------------------|---|
| Protocols | TCP/IP, ICMP, HTTP, HTTPS, FTP, DHCP, DNS, DDNS, RTP, RTSP, NTP, UPnP, SMTP, IGMP, 802.1X, QoS, IPv4, IPv6, UDP, Bonjour, SSL/TLS, PPPoE, SNMP, ARP, WebSocket, WebSockets |
| Simultaneous Live View | Up to 6 channels |
| API | Open Network Video Interface (Profile S, Profile G, Profile T), ISAPI, SDK |
| User/Host | Up to 32 users 3 user levels: administrator, operator, and user |
| Security | Password protection, complicated password, HTTPS encryption, 802.1X authentication (EAP-TLS, EAP-LEAP, EAP-MD5), watermark, IP address filter, basic and digest authentication for HTTP/HTTPS, WSSE and digest authentication for Open Network Video Interface, RTP/RTSP over HTTPS, control timeout settings, security audit log, TLS 1.1/1.2/1.3, host authentication (MAC address) |
| Network Storage | NAS (NFS, SMB/CIFS), Auto Network Replenishment (ANR) Together with high-end Hikvision memory card, memory card encryption and health detection are supported. |
| Client | iVMS-4200, Hik-Connect, Hik-Central |
| Web Browser | Plug-in required live view: IE 10+ Plug-in free live view: Chrome 57.0+, Firefox 52.0+ Local service: Chrome 57.0+, Firefox 52.0+ |
| Image | |
| Image Parameters Switch | Yes |
| Image Settings | Rotate mode, saturation, brightness, contrast, sharpness, gain, white balance, adjustable by client software or web browser |
| Day/Night Switch | Day, Night, Auto, Schedule |
| Wide Dynamic Range (WDR) | 130 dB |
| SNR | ≥ 52 dB |
| Image Enhancement | BLC, HLC, 3D DNR |
| Privacy Mask | 4 regions of privacy mask |
| Interface | |
| Ethernet Interface | 1 RJ45 10 M/100 M self-adaptive Ethernet port |
| On-Board Storage | Built-in memory card slot, support microSD/microSDHC/microSDXC card, up to 256 GB |
| Audio | 1 input (line in), 2-core terminal block, max. input amplitude: 3.3 Vpp, input impedance: 4.7 KΩ, interface type: non-equilibrium 1 output (line out), 2-core terminal block, max. output amplitude: 3.3 Vpp, output impedance: 100 Ω, interface type: non-equilibrium |
| Alarm | 1 input(s), 1 output(s) (max. 24 VDC/24 VAC, 1 A) |
| Reset Key | Yes |
| Event | |
| Basic Event | Motion detection (support alarm triggering by specified target types (human and vehicle)), video tampering alarm, network disconnected, IP address conflict, illegal login, HDD full, HDD error |
| Smart Event | Line crossing detection, intrusion detection, region entrance detection, region exiting detection (support alarm triggered by specified target types (human and vehicle)), Scene change detection |

| | |
|----------------------------------|---|
| Linkage | Upload to FTP/NAS/memory card, notify surveillance center, trigger recording, trigger capture, send email, trigger alarm output, white light flashing |
| Deep Learning Function | |
| Face Capture | Yes |
| General | |
| Power | 12 VDC \pm 25%, 1.21 A, max. 14.5 W, two-core terminal block, reverse polarity protection PoE: 802.3at, Class 4, 42.5 V to 57 V, 0.43 A to 0.32 A, max. 18 W |
| Dimension | 298 mm \times 97.9 mm \times 95.7 mm (11.7" \times 3.9" \times 3.8") |
| Package Dimension | 385 mm \times 190 mm \times 180 mm (15.2" \times 7.5" \times 7.1") |
| Weight | Approx. 1465 g (3.2 lb.) |
| With Package Weight | Approx. 2097 g (4.6 lb.) |
| Storage Conditions | -30 °C to 60 °C (-22 °F to 140 °F). Humidity 95% or less (non-condensing) |
| Startup and Operating Conditions | -30 °C to 60 °C (-22 °F to 140 °F). Humidity 95% or less (non-condensing) |
| Language | 33 languages: English, Russian, Estonian, Bulgarian, Hungarian, Greek, German, Italian, Czech, Slovak, French, Polish, Dutch, Portuguese, Spanish, Romanian, Danish, Swedish, Norwegian, Finnish, Croatian, Slovenian, Serbian, Turkish, Korean, Traditional Chinese, Thai, Vietnamese, Japanese, Latvian, Lithuanian, Portuguese (Brazil), Ukrainian |
| General Function | Heartbeat, anti-banding, mirror, flash log, password reset via email, pixel counter |
| Approval | |
| EMC | FCC: 47 CFR Part 15, Subpart B CE-EMC: EN 55032: 2015, EN 61000-3-2: 2019, EN 61000-3-3: 2013 + A1: 2019, EN 50130-4: 2011 + A1: 2014 RCM: AS/NZS CISPR 32: 2015 IC: ICES-003: Issue 7 KC: KN32: 2015, KN35: 2015 |
| Safety | UL: UL 62368-1 CB: IEC 62368-1: 2014 + A11 CE-LVD: EN 62368-1: 2014/A11: 2017 LOA: IEC/EN 60950-1 |
| Environment | CE-RoHS: 2011/65/EU WEEE: 2012/19/EU Reach: Regulation (EC) No 1907/2006 |
| Protection | IP67: IEC 60529-2013 IK10: IEC 62262:2002 |

▪ Typical Application

Hikvision products are classified into three levels according to their anti-corrosion performance. Refer to the following description to choose for your using environment.

This model has NO SPECIFIC PROTECTION.

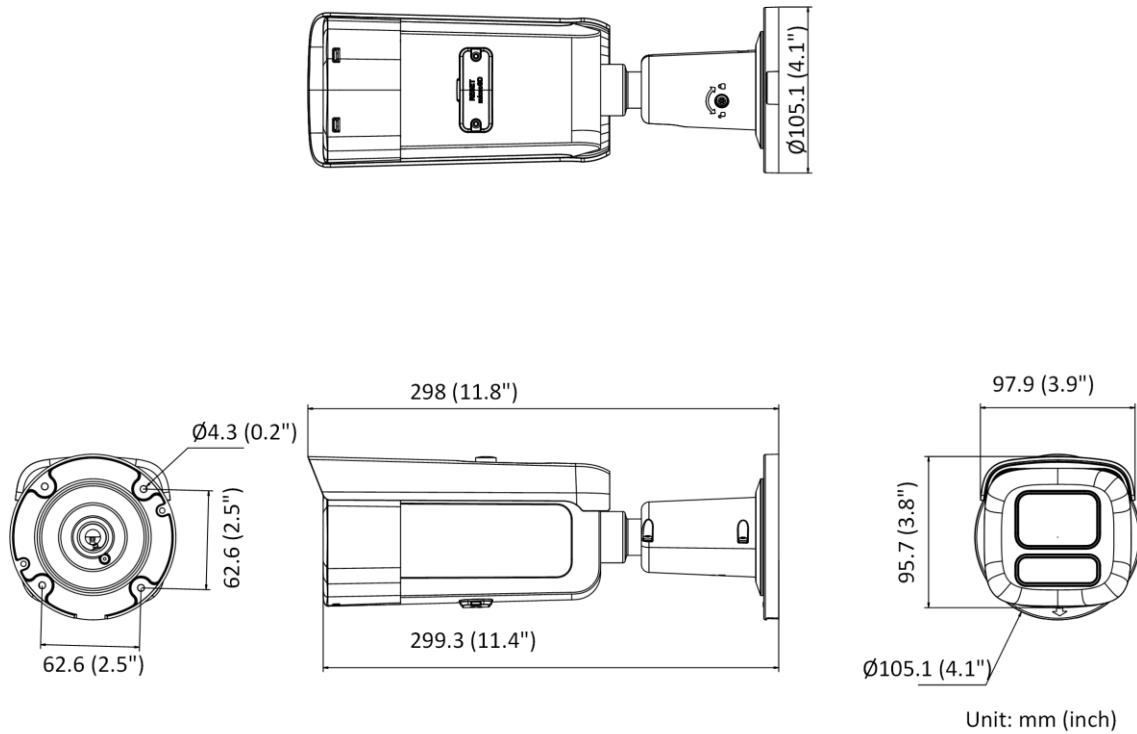
| Level | Description |
|----------------------|--|
| Top-level protection | Hikvision products at this level are equipped for use in areas where professional anti-corrosion protection is a must. Typical application scenarios include coastlines, docks, chemical plants, and more. |
| Moderate protection | Hikvision products at this level are equipped for use in areas with moderate anti- |

| | |
|------------------------|--|
| | corrosion demands. Typical application scenarios include coastal areas about 2 kilometers (1.24 miles) away from coastlines, as well as areas affected by acid rain. |
| No specific protection | Hikvision products at this level are equipped for use in areas where no specific anti-corrosion protection is needed. |

▪ **Available Model**





DS-2CD2647G2T-LZS (2.8-12 mm)

▪ **Dimension**



▪ **Accessory**

▪ **Optional**

| DS-1275ZJ-SUS Vertical Pole Mount | DS-1260ZJ Junction Box | DS-1276ZJ-SUS Corner Mount | DS-1275ZJ-S-SUS Vertical Pole Mount |
|---|---|---|---|
|  |  |  |  |

Headquarters

No.555 Qianmo Road, Binjiang District,
Hangzhou 310051, China
T +86-571-8807-5998
www.hikvision.com



Follow us on social media to get the latest product and solution information.

