

DS-2601ZJ-P

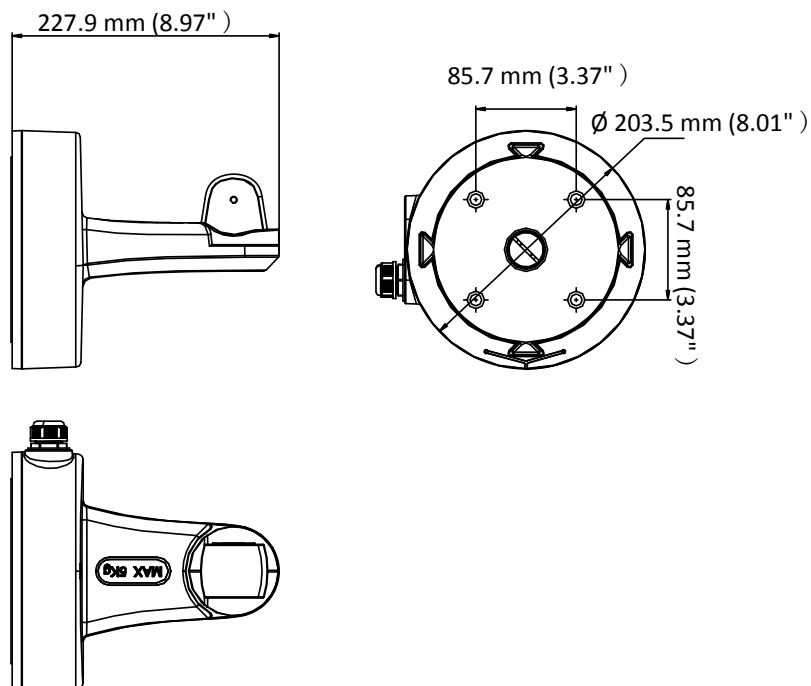
Wall Mount



Feature

- Plastic with surface spray treatment
- Adjustable tilt angle $\pm 40^\circ$, and pan angle $\pm 88^\circ$
- Junction box design facilitates cable routing
- Applies to target capture camera

Dimension



Available Model

DS-2601ZJ-P

Parameter

Model	DS-2601ZJ-P
Parameters	Wall Mount
Appearance	Platinum Gray
Material	Aluminum Alloy
Dimension	$\Phi 203.5 \text{ mm} \times 227.9 \text{ mm}$ (8.01" \times 8.97")
Weight	2890 g (6.37 lb.)

Note

- The mount should be installed on the flat surface.
- The wall must be capable of supporting at least 3 times as much as the total weight of the camera, and the mount.
- The mount's maximum load capacity is 5 kg (11 lb.).