

DHI-VTH2123GB-W-S2/DHI-VTH2123GW-W-S2

2-wire Wi-Fi Hybrid Indoor Monitor


EACH

Technical Specification

System

Main Processor	Embedded Processor
Operating System	Embedded operating system
Network Protocol	UDP;TCP;IPv4;DNS

Basic

Screen Type	Capacitive Touchscreen
Display Screen	7" TFT
Screen Resolution	1024 (H) × 600 (V)
Audio Compression	G.711a; G.711u; PCM
Audio Input	1 channel
Audio Output	Built-in speaker
Audio Mode	Two-way audio with VTO (half-duplex); Two-way audio with app (full-duplex)
Audio Enhancement	Echo suppression/digital noise reduction
Audio Bit Rate	16 KHz; 16 Bit

Function

Leave Videos	Yes (SD card needed)
DND Mode	Do not disturb period can be set; Do not disturb mode can be set
Number of Extensions	Villa: 4 Apartment: 2
Wi-Fi	Yes
Wireless Standard	IEEE802.11b; 802.11g; 802.11n
Wireless Frequency Range	2.4 GHz
Storage	Micro SD card (up to 64 GB)

- 7" TFT capacitive touch screen.
- Offers video intercom that communicates with VTOs through half-duplex, and the app through full-duplex.
- Supports recording videos and capturing snapshots (SD card is required).
- 6-channel alarm input and 1-channel alarm output.
- The app can be used to receive calls and alarm notifications.
- Surface mount.
- Connects to HDCVI cameras or IP cameras.



Port

RS-485	1
Alarm Input	6
Alarm Output	1 channel
Power Output	1 (12 V, 200 mA)
Door Bell	Yes (use the alarm input port)

Performance

Casing Material	PC + ABS
-----------------	----------

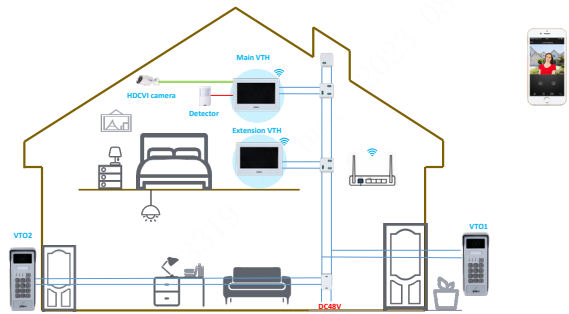
General

Appearance Color	White/Black
Power Supply	2-wire Controller
Power Adapter	Optional
Installation	Surface Mount
Certifications	CE
Accessory	Included: Power cord 485 and Power output ribbon cable alarm ribbon cable bracket branch terminal Sold separately: 2-wire controller
Product Dimensions	134.6 mm × 189.6 mm × 24.0 mm (5.30" × 7.46" × 0.94")
Operating Temperature	-10 °C to +55 °C (14 °F to +131 °F)
Operating Humidity	10%–90% (RH)
Operating Altitude	0 m–3000 m (0 ft–9842.52 ft)
Power Consumption	≤ 4 W (standby), ≤ 10 W (working)

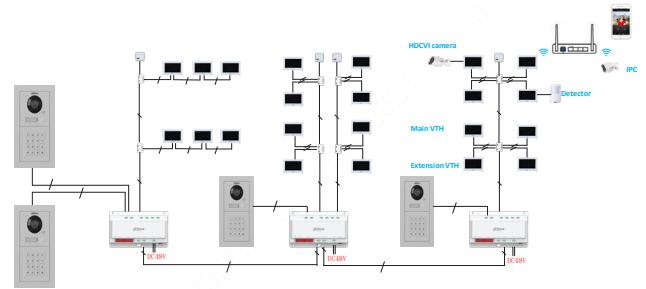
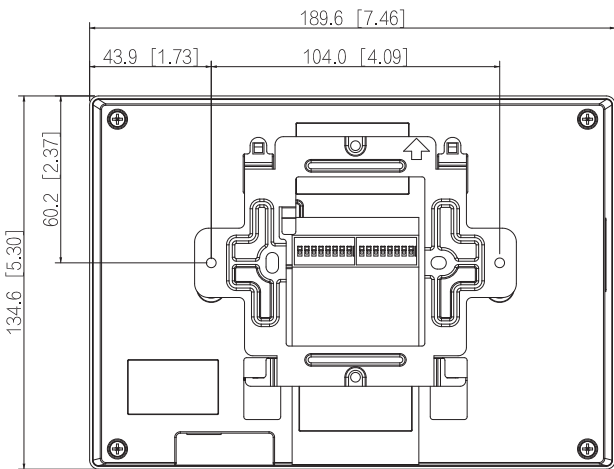
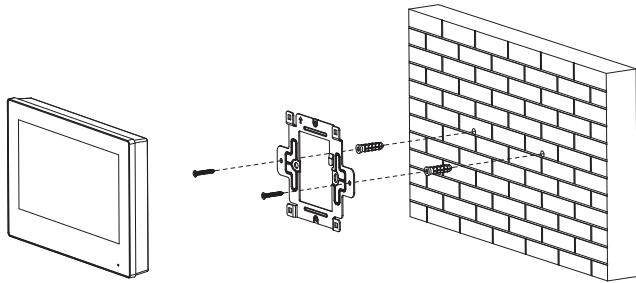
Gross Weight	622 g (1.37 lb)
Storage Temperature	0 °C to 40 °C (32 °F to 104 °F)
Storage Humidity	30%–75%
Anti-corrosion Level	Basic Protection
Operating Environment	Indoor

Ordering Information		
Type	Model	Description
VTH	DHI-VTH2123GB-W-S2 DHI-VTH2123GW-W-S2	2-wire Wi-Fi Hybrid Indoor Monitor

Application



Installation



Dimensions (mm[inch])

