

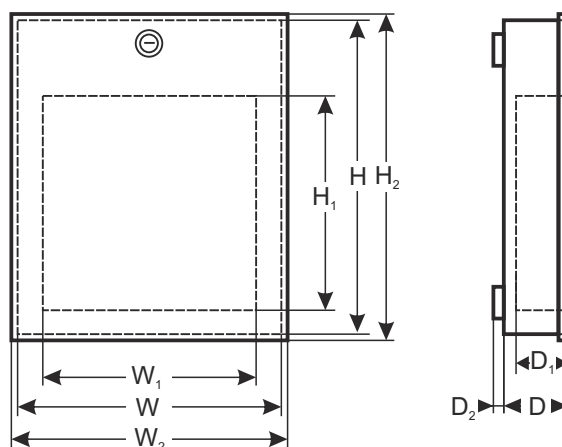
CODE: **AWO530S** v.1.0/I  
 NAME: **Enclosure DVR/MEDIUM/VERTICAL**



## Installation example:



ARAW45



## DESTINATION

**Enclosure protects recorder against unauthorized access or theft (two keys included). Made of 1,2mm steel plate. Set includes one key (different code), two keys included and tamper switch unwanted enclosure opening.**

Due to vertical installation and low depth, it is ideal for places where deeper enclosures or cabinets type RACK 19" cannot be installed. After opening enclosure, front cover is held in a horizontal position, providing easy access to buttons on front panel of DVR.

Enclosure has a special holder with retaining straps that allows for installation of recorders of following dimensions: width up to 470 mm, height up to 95 mm, depth 485 mm.

In addition, fan with a temperature sensor, product code ARAW45, can be mounted to enclosure.

## TECHNICAL DATA:

<b>External dimensions of enclosure:</b>	W=532, H=651, D + D <sub>2</sub> =121+14 [mm, +/-2]
<b>External dimensions of front panel:</b>	W <sub>2</sub> =538, H <sub>2</sub> =657 [mm, +/-2]
<b>Dimensions of recorder compartment:</b>	W <sub>1</sub> =470, H <sub>1</sub> =485, D <sub>1</sub> =95 [mm, +/-2]
<b>Net/gross weight:</b>	12,350 / 13,342 [kg]
<b>Operating conditions:</b>	Temperature: -10°C + +40°C relative humidity 20%...90%, without condensation
<b>Material:</b>	sheet metal, thickness: 1.2mm, anticorrosion protection, color RAL 9005 (black matt)
<b>Destination:</b>	inside
<b>Tamper switch protection:</b>	1 x microswitch: enclosure opening 0,5 A; 50 V DC max. NC – normally closed contacts Optionally: 1 x microswitch: detachment form wall, 0,5A; 50 V DC (required PKAZ067)
<b>Closing:</b>	lock MR008 (different code) x 1 pcs. distance from wall (mounting surface) – 14mm
<b>Notes:</b>	set includes one key (different code), two keys included possibility of mounting two ARAW45 fans
<b>Warranty:</b>	2 years from production date