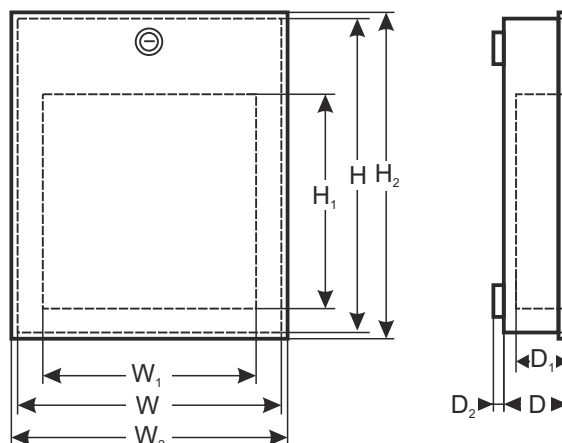


CODE: **AWO529S** v.1.0/I
 NAME: **Enclosure DVR/SMALL/VERTICAL**



Installation example:



DESTINATION

Enclosure protects recorder against unauthorized access or theft (two keys included). Made of 1,2mm steel plate. Set includes one key (different code), two keys included and tamper switch unwanted enclosure opening.

Due to vertical installation and low depth, it is ideal for places where deeper enclosures or cabinets type RACK 19" cannot be installed. After opening enclosure, front cover is held in a horizontal position, providing easy access to the buttons on front panel of DVR.

Enclosure has a special holder with retaining straps that allows for installation of recorders of following dimensions: width from 375 mm, height: from 95 mm, depth: from 335 mm.

TECHNICAL DATA:

External dimensions of enclosure:	W=432, H=501, D + D ₂ =121+14 [mm, +/-2]
External dimensions of front panel:	W ₂ =438, H ₂ =507 [mm, +/-2]
Dimensions of recorder compartment:	W ₁ =375, H ₁ =335, D ₁ =95 [mm, +/-2]
Net/gross weight:	8,108 / 8,778 [kg]
Operating conditions:	Temperature: -10°C + +40°C relative humidity 20%...90%, without condensation
Material:	sheet metal, thickness: 1.2mm, anticorrosion protection, color RAL 9005 (black matt)
Destination:	inside
Tamper switch protection:	1 x microswitch: enclosure opening 0,5 A; 50 V DC max. NC – normally closed contacts Optionally: 1 x microswitch: detachment form wall, 0,5A; 50 V DC (required PKAZ067)
Closing:	lock MR008 (different code) x 1 pcs.
Notes:	distance from wall (mounting surface) – 14mm set includes one key (different code), two keys included
Warranty:	2 years from production date