

DHI-ARD912-W2(868D)

Wireless Water Leak Detector



System Overview

Wireless Water Leak Detector can be used to detect water leaks in indoor pipes, baths, sinks, washing machines, and dishwashers. It triggers alarms and sends timely notifications to keep you up to date on ongoing events. Hassle free, it is easy to install and does not require wiring. It also provides communication security, supporting the use of wireless communication with encryption technology.

Technical Specification

Function

Indicator Light	1 for multiple statuses (pairing, power status, and alarm)
Button	Power switch button
Remote Update	Cloud update
Low Battery Detection	Yes
Tamper	No

Technical

Sensor	Water leak detector
Sensitivity	Adjustable
Operating Current	28.5 μ A
Alarm Current	5.8 mA

Wireless

Carrier Frequency	868.0 MHz–868.6 MHz
Communication Mechanism	Two-way
Communication Distance	Up to 1,200 m (3937.01 ft) in an open space
Encryption Mode	AES128
Frequency Hopping	Yes

- Frequency hopping and two-way communication technology ensure that communication is stable.
- Supports jamming detection and communication encryption.
- Supports cloud update and automatically restores when cloud update fails.
- Displays the temperature of the surrounding environment and supports the overheating alarm.
- Sensitivity adjustment.

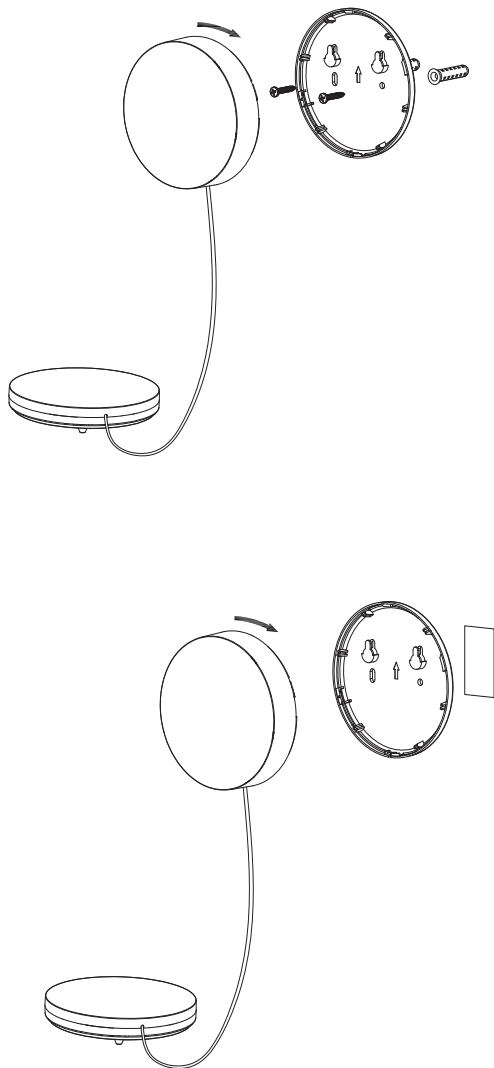
General

Power Supply	CR123A \times 1
Battery Life	3 years when triggered once a day.
Power Consumption	Max 144 mW
Operating Temperature	Indoor: -10°C to $+55^{\circ}\text{C}$ ($+14^{\circ}\text{F}$ to $+131^{\circ}\text{F}$)
Operating Humidity	10%–90% (RH)
Storage Temperature	-10°C to $+55^{\circ}\text{C}$ ($+14^{\circ}\text{F}$ to $+131^{\circ}\text{F}$)
Storage Humidity	10%–90% (RH)
Product Dimensions	84.7 mm \times 84.7 mm \times 32.5 mm (3.33" \times 3.33" \times 1.28")
Packaging Dimensions	135.0 mm \times 98.0 mm \times 56.0 mm (5.32" \times 3.86" \times 2.20")
Net Weight	0.1 kg (0.22 lb)
Gross Weight	0.2 kg (0.44 lb)
Installation	Plane mount, wall mount
Casing Material	PC + ABS
Protection	IPX5
Certifications	CE

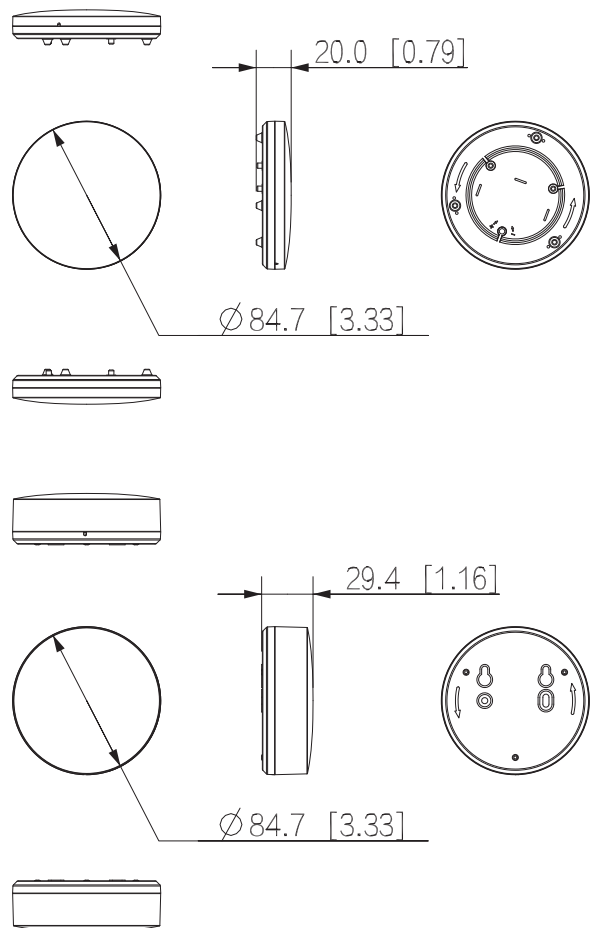
Ordering Information

Type	Part Number	Description
Wireless Water Leak Detector	DHI-ARD912-W2(868D)	Wireless Water Leak Detector

Installation



Dimensions (mm[inch])



Application

