

# DH-SG5036FX

36-Port L2+ Managed Gigabit Switch with 4-Port 10G SFP+



## System Overview

DH-SG5000 series Ethernet Switch is a 1U high-density port switch that has four 10 Gbps optical ports. The switch supports link aggregation and STP to ensure the network remains highly stable. It also supports various security control strategies for network security, has great management capabilities.

## Functions

### Wide Operating Temperature

Supports working at ambient temperatures of  $-10^{\circ}\text{C}$  to  $+55^{\circ}\text{C}$ , and has built-in professional lightning-proof circuits that effectively reduce the impact of thunderstorms on network systems and improve system robustness, allowing the device to adapt to harsh environments.

### Redundant Power Supply

Redundant power supply ensures that the device is still powered when one power port malfunctions, which improves device reliability.

- All-gigabit port design (10 gigabit uplink port).
- Supports STP, RSTP, MSTP and ERPS.
- IEEE802.1Q-based VLAN configuration.
- Static link aggregation and static LACP.
- Easy to manage the device through the webpage.
- EMC compliant, the device is lightning proof.
- Desktop mount and rack mount.



### Link Aggregation

Combines multiple physical links into one virtual channel for dynamic redundancy and load balancing, ensuring that the connection remains stable.

### Spanning Tree Protocol (STP)

Uses algorithms that calculate the best loop-free path through a Layer 2 network while providing path redundancy to prevent the occurrence of broadcast storms and enhance the stability of operations and services.

## Technical Specification

### Basic

Switching Capacity	144 Gbps
Packet Forwarding Rate	107.136 Mpps
Description of Function Slots	Port 1-24: 24 × SFP 100/1000 Mbps Port 25-32: 8 × RJ-45 10/100/1000 Mbps Port 33-36: 4 × SFP+ 1/10 Gbps
Layer	Layer 2
Management Type	Yes
Operating Temperature	-20 °C to +55 °C (-4 °F to +131 °F)
Operating Humidity	5%–95% (RH), non-condensing
Power Consumption	Idling load: 23.8 W Full load: ≤ 100 W
Power Supply	2 built-in power supplies: 100–240 VAC, 50/60 Hz, 1 A
Statics Protection	Air discharge: 8 kV Contact discharge: 6 kV
Lighting Protection	Common mode: 2 kV Differential mode: 1 kV
Net Weight	3.8 kg (8.38 lb)
Product Dimensions	440 mm × 308.3 mm × 44.0 mm (17.32" × 12.14" × 1.73") (L × W × H)

### Hardware

Included Power Adapter	Yes
Ethernet Port	8
Optical Port	24
Ethernet Port Speed	10/100/1000 Mbps
Optical Port Speed	100/1000 Mbps
Optical Port Uplink Speed	1/10 Gbps
Debugging	1 × Console port
Reset Button	1
Storage Humidity	5%–95% (RH), non-condensing

### Performance

Packet Buffer Size	16 Mbit
Jumbo Frame	12288 Byte
MAC Table Size	32K
VLAN Number	4094
VLAN Interface	16
Communication Standard	IEEE 802.3; IEEE 802.3u; IEEE 802.3x; IEEE 802.3ab; IEEE 802.3z; IEEE 802.3ad

### Feature

Spanning Tree Protocol	STP/RSTP/MSTP/ERPS
VLAN Function	Port-based VLAN

Link Aggregation	Static link aggregation LACP
IEEE 802.3x Flow Control	Yes
Multicast	IGMP Snooping
Routing	Static routing
ARP	ARP
DHCP Function	DHCP Client DHCP Snooping DHCP Relay DHCP Server DHCP Snooping option 82 DHCP Relay option 82
Security	802.1X Port isolation AAA MAC
QoS/ACL	Yes
Equipment Management	Web (http and https) SNMP V1/V2C/V3

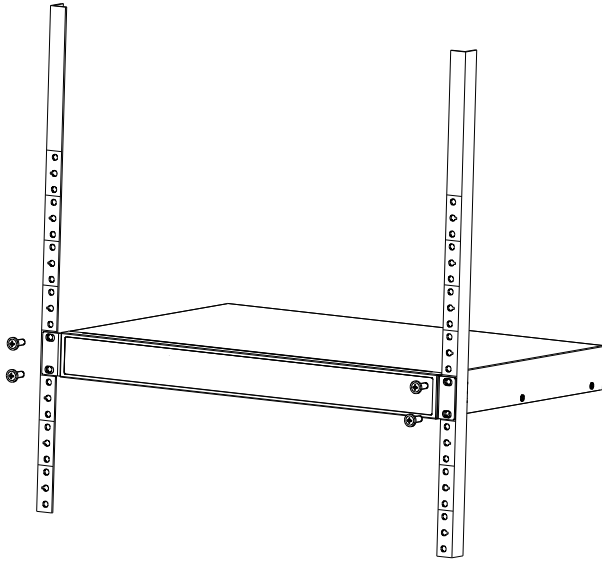
### General

Gross Weight	5.3 kg (11.68 lb)
Packaging Dimensions	528 mm × 412 mm × 112 mm (20.79" × 16.22" × 4.41") (L × W × H)
Installation	Rack mount; desktop mount

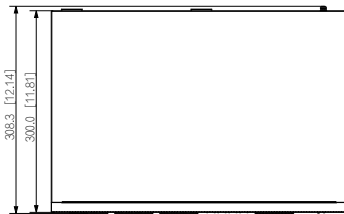
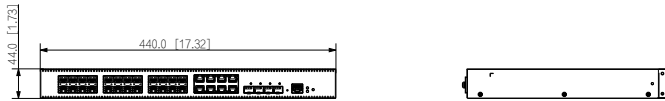
## Ordering Information

Type	Model	Description
SFP Module	SFP-1310T-20-SMF	155M 1310/1550 nm, 20 km, LC, Single-mode [optional]
	SFP-1310R-20-SMF	155M 1550/1310 nm, 20 km, LC, Single-mode [optional]
	GSFP-1310-20-SMF	1.25G 1310nm, 20km, LC, Single-mode [optional]
	GSFP-1310R-20-SMF	1.25G 1550/1310 nm, 20 km, LC, Single-mode [optional]
	GSFP-1310T-20-SMF	1.25G 1310/1550 nm, 20 km, LC, Single-mode [optional]
	SFP-850-MMF	155M 850 nm, 2km, LC, Multi-mode [optional]
	GSFP-850-MMF	1.25G 850 nm, 500 m, LC, Multi-mode [optional]

## Installation



## Dimensions (mm[inch])



## Panels

