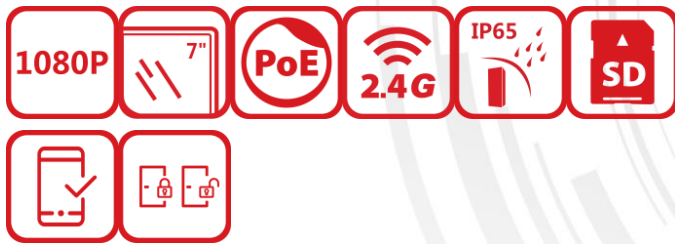


## DS-KIS604-S(C) Network Video Intercom Bundle



- Network video intercom bundle for villa or house
- One call button for easier calls
- Convenient Hik-Connect App mobile control
- Stores messages and captured pictures in the TF card
- Including: DS-KV8113-WME1(C) × 1, DS-KH6320-WTE1 × 1, 4-port standard PoE switch × 1, 16 GB TF card × 1
- Power adapter included in the package

*\*Network Video Intercom Bundle for villa or house, only one call button.*

*\*DS-KV8113-WME1(C) x1;*

*\*DS-KH6320-WTE1 x1;*

*\*4 port standard PoE switch x1;*

*\*16GB TF card x1;*

## ▪ Specification

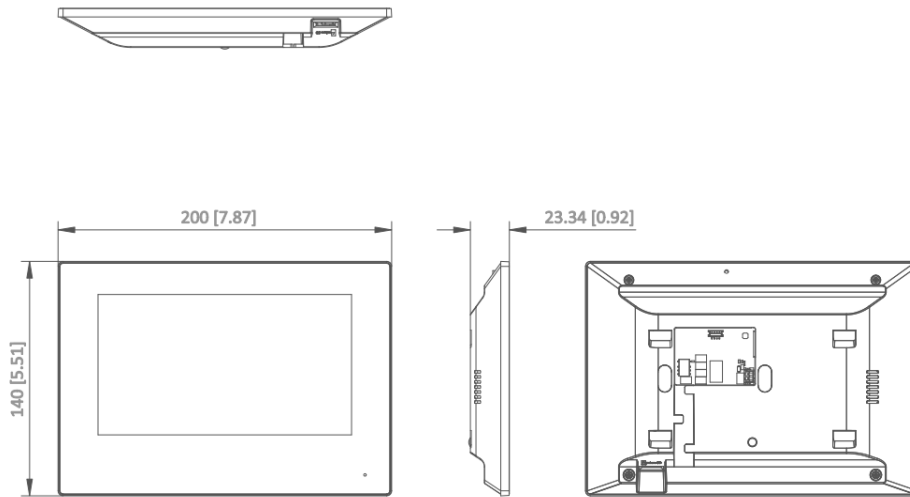
Door station	
Operation system	Embedded Linux operation system
Flash	32 M
RAM	256 M
Door station	
Supplement light	IR supplement
Resolution	Main stream : 1920 × 1080 Sub stream : 640 × 480
Lens	1
WDR	Support
FOV	Horizontal: 124° Vertical: 75°
Video compression standard	H.264
Door station	
Audio input	Built-in omnidirectional microphone
Audio output	Built-in loudspeaker (more than 80 dB within 30 cm)
Volume adjustment	Adjustable
Audio quality	Noise suppression and echo cancellation
Audio compression standard	G.711 U, G.711 A
Audio compression Rate	64 Kbps
Audio quality	Noise suppression and echo cancellation
Audio intercom	Two-way audio communication
Door station	
User capacity	2000
Door station	
Network protocol	TCP/IP, RTSP
Wired network	10/100 Mbps self-adaptive Ethernet
Wi-Fi	Wi-Fi 802.11 b/g/n
3G/4G	/
Bluetooth	/
Door station	
Network interface	1
RS-485	1
Wiegand	0
Alarm input	4
Lock control	2
Exit button	2 Max.
Door contact	2
Alarm output	0
Power interface	1
TAMPER	1
USB interface	0
TF card	1 (reserved)
Door station	
Button	1

Indicator	3
Power consumption	< 10 W
Working temperature	-40° C to 53° C (-40° F to 127.4° F)
Power supply	Standard PoE/12 VDC
Power consumption	< 10 W
Working humidity	10% to 95%
Dimension	174 mm × 91 mm × 29 mm
Protection level	IP65, IK08
Application environment	Outdoor
Weight	380 g
Installation	Surface Mounting
Indicator	3
Power supply	IEEE802.3af, standard PoE 12 VDC
<b>Indoor station</b>	
Operation system	Embedded Linux operation system
Memory	128 MB
Flash	32 MB
<b>Indoor station</b>	
Display screen	7-inch colorful TFT screen
Display resolution	1024 × 600
Operation method	Capacitive touch screen
<b>Indoor station</b>	
Audio input	Built-in omnidirectional microphone
Audio output	Built-in loudspeaker
Audio quality	Noise suppression and echo cancellation
Audio compression standard	G.711 U
Audio compression Rate	64 Kbps
<b>Indoor station</b>	
Wired network	10/100 Mbps self-adaptive
Network interface	1 RJ-45 10/100 Mbps self-adaptive
Wireless network	Wi-Fi 802.11 b/g/n
Protocol	TCP/IP, SIP, RTSP
<b>Indoor station</b>	
RS-485	1
Alarm input	8-ch alarm inputs
Relay output	2
TF card	Max to 32 G, SD 2.0 or lower version
<b>Indoor station</b>	
Power consumption	≤ 6 W
Power supply	Standard PoE, 12VDC
Working temperature	-10 °C to 55 °C (14 °F to 131 °F)
Working humidity	10% to 90%
Dimension (L x W x H)	200 mm × 140 mm × 15.1 mm (7.9" × 5.5" × 0.6")

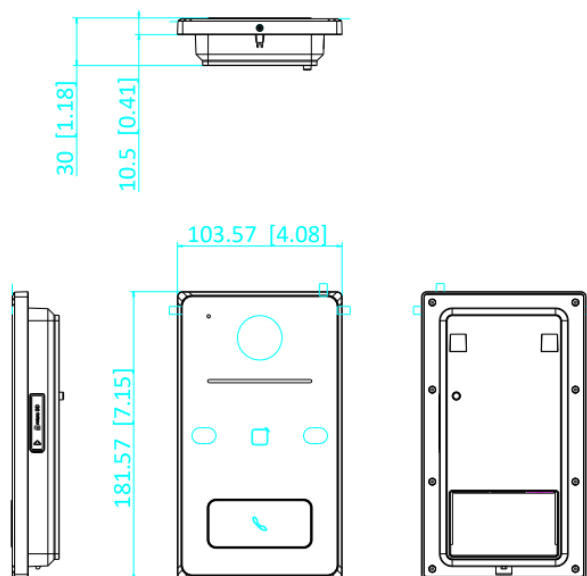
▪ **Available Model**

DS-KIS604-S(C)

▪ **Dimension**



Unit:mm [inch]



Unit:mm [inch]

**Headquarters**

No.555 Qianmo Road, Binjiang District,  
Hangzhou 310051, China  
T +86-571-8807-5998  
www.hikvision.com



Follow us on social media to get the latest product and solution information.

