

DHI-VTH2612L-W

2-wire IP & Wi-Fi Indoor Monitor



- 4.3" TFT Capacitive touch screen.
- Unlock the door.
- Set DND period.
- IPC surveillance.
- 4-channel alarm input and 1-channel alarm output.
- Ethernet and Wi-Fi.
- Supports 2-wire digital communication.



Technical Specification

System

Main Processor	Embedded Processor
Operating System	Embedded Linux OS
Network Protocol	UDP; TCP; IPv4; RTSP; SIP; RTP

Basic

Screen Type	Capacitive Touchscreen
Display Screen	4.3" TFT display
Screen Resolution	480 (H) × 272 (V)
Audio Compression	G.711a; G.711u; PCM
Audio Input	1 channel
Audio Output	1 built-in speaker and 1 receiver speaker
Audio Mode	Two-way audio
Audio Enhancement	Echo suppression/digital noise reduction
Audio Bit Rate	16 kHz, 16 Bit

Function

Communication Mode	Full digital
Information Release	Text messages can be received and viewed on the indoor monitor
Elevator Control	You can control the elevator through the indoor monitor
DND Mode	Do not disturb period can be set.
Number of Extensions	Apartment: 4 Villa: 9

Wi-Fi	Yes
Wireless Standard	IEEE802.11b/802.11g/802.11n
Wireless Frequency Range	2.4 GHz

Port

Alarm Input	4
Alarm Output	1
Network Port	1 × two-wire port and 1 × 10 Mbps/100 Mbps Ethernet port (one of them can be selected)

Alarm

SOS Alarm	Yes
-----------	-----

Performance

Casing Material	ABS
-----------------	-----

General

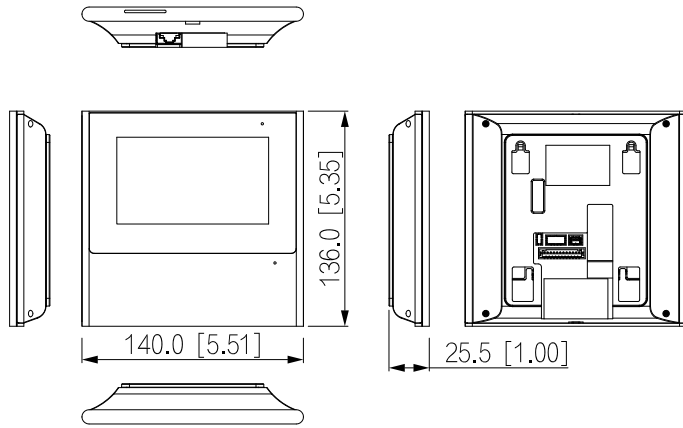
Appearance Color	White
Power Supply	48 VDC, 1A; two-wire switch (max power transmission distance: 50 m)
Power Adapter	Optional
Installation	Surface Mount
Accessory	Surface mount bracket, alarm ribbon cable, and power-supply pins are provided
Product Dimensions	136.0 mm × 140.0 mm × 25.5 mm (5.35" × 5.51" × 1.00") (W × H × D)
Operating Temperature	-10 °C to +55 °C (+14 °F to +131 °F)
Operating Humidity	10%–90% (RH), non-condensing

VTH2 Series | DHI-VTH2612L-W

Power Consumption ≤4 W (standby), ≤6 W (working)

Gross Weight 0.21 kg (0.46 lb)

Dimensions (mm[inch])



Application

