

DH-H2C

2MP Indoor Fixed-focal Wi-Fi Network PT Camera



- 1/2.8" 2Megapixel CMOS.
- Max. 25/30fps@1080p.
- H.265 encoding.
- Human detection.
- Wi-Fi.
- Two-way Talk.
- Sound alarm.



System Overview

The Mini Indoor PT camera uses pan and tilt to cover all the corners of your store, producing high quality detailed images. It also features two-way talk for you to communicate with people in front of the camera in real time. With its miniature design and standard installation bracket, it is easy to install. You can also conveniently access the camera through DMSS to view footage anytime, anywhere.

Functions

Smart H.265+ & Smart H.264+

With advanced scene-adaptive rate control algorithm, Dahua smart encoding technology realizes the higher encoding efficiency than H.265 and H.264, provides high-quality video, and reduces the cost of storage and transmission.

Two-way Talk

With its built-in high-sensitivity microphone and high-power speaker, the camera realizes two-way talk through the mobile app.

IVS

With advanced video algorithm, Dahua IVS technology supports intelligent functions, such as tripwire and intrusion.

Technical Specification

Camera

Image Sensor	1/2.8" CMOS
Pixel	2 MP
Max. Resolution	1920 (H) × 1080 (V)
ROM	128 MB
RAM	128 MB
Electronic Shutter Speed	1/3s–1/100,000s
Scanning System	Progressive
Min. Illumination	Color: 0.05 lux@F1.6 B/W: 0.005 lux@F1.6 0 lux (IR light on)
Illumination Distance	15 m (49.21 ft)
Illuminator On/Off Control	Manual; Auto; Off
Illuminator Number	1 (IR light)

Lens

Focal Length	4 mm			
Max. Aperture	F2.0			
Field of View	H: 85.9°; V: 44.9°; D: 103.3°			
Close Focus Distance	0.2 m (0.65 ft)			
Iris Control	Fixed iris			
DORI Distance	Detect	Observe	Recognize	Identify
	55.2 m (181.10 ft)	21.8 m (71.52 ft)	11 m (36.08 ft)	5.5 m (18.04 ft)

PTZ

Pan/Tilt Range	Pan: 0° to 325° Tilt: -20° to +100°
Manual Control Speed	Pan: 57.7°/s; Tilt: 46.2°/s
Preset Speed	Pan: 57.7°/s Tilt: 46.2°/s
Preset	300
Power-off Memory	Yes
Idle Motion	Preset

Smart Event

IVS	Tripwire; intrusion
Human Detection	Yes

Active Deterrence

Sound Warning	Sound warning alarm: Customizable Alarm duration: 10 s, 20 s, 30 s
---------------	--

Video

Video Compression	H.264B; Smart H.265+; H.264; H.265; Smart H.264+; MJPEG
Streaming Capability	2 streams

Resolution	1080p (1920 × 1080); 960p (1280 × 960); 720p (1280 × 720); D1 (704 × 576/704 × 480); CIF (352 × 288/352 × 240)
Video Frame Rate	Main stream: 1080p/1.3M/720p@(1–25/30 fps) Sub stream 1: D1/CIF@(1–25/30 fps)
Bit Rate Control	CBR/VBR
Video Bit Rate	H264: 256 Kbps–8,192 Kbps H265: 144 Kbps–5,632 Kbps
Day/Night	Auto (ICR)/Color/B/W
BLC	Yes
WDR	DWDR
HLC	Yes
White Balance	Auto; indoor; outdoor; tracking; manual; sodium lamp; natural light; street lamp
Gain Control	Auto; manual
Noise Reduction	2D NR; 3D NR
Motion Detection	Yes
Image Rotation	180°
S/N Ratio	≥ 55 dB

Audio

Audio Compression	PCM; G.711a; G.711Mu; G.726; MPEG2-Layer2; G722.1
-------------------	---

Network

Network Port	RJ-45 (10/100 Base-T)
Wi-Fi	Yes
Wi-Fi Standard	IEEE802.11b; IEEE802.11g; IEEE802.11n
Wi-Fi Frequency Range	2.4 GHz
Wi-Fi Transmission Rate	150 Mbps
Network Protocol	UDP; FTP; RTMP; IPv6; IPv4; IP Filter; DNS; RTCP; HTTP; NTP; SSL; DHCP; RTP; SMTP; HTTPS; TCP/IP; RTSP; DDNS; ARP
Interoperability	RTMP; CGI; SDK; ONVIF (Profile S&T)
Streaming Method	Unicast/Multicast
User/Host	20
Storage	FTP; Micro SD card (512 GB)
Browser	IE: IE 7 and later versions; Chrome; Firefox; Safari
Management Software	Player; Cloud Connection; Smart Player ; DMSS; ConfigTool; NVR; Smart PSS
Mobile Client	iOS; Android

Port

Audio Input	1 channel (built-in mic)
Audio Output	1 channel (built-in speaker)
Alarm Linkage	Capture; preset; recording; audio; sending email
Alarm Event	Motion/Tampering detection; audio detection; network disconnection detection; IP conflict detection; memory card state detection; memory space detection

Power

Power Supply	5 VDC, 1 A ± 10% (Type-C)
Power Consumption	Basic: 2 W Max: 5 W (illuminator +PTZ +speaker)

Environment

Operating Temperature	-10 °C to +40 °C (14 °F to +104 °F)
Operating Humidity	≤ 95%
Protection	TVS 2000 V lightning proof; surge protection; voltage transient protection

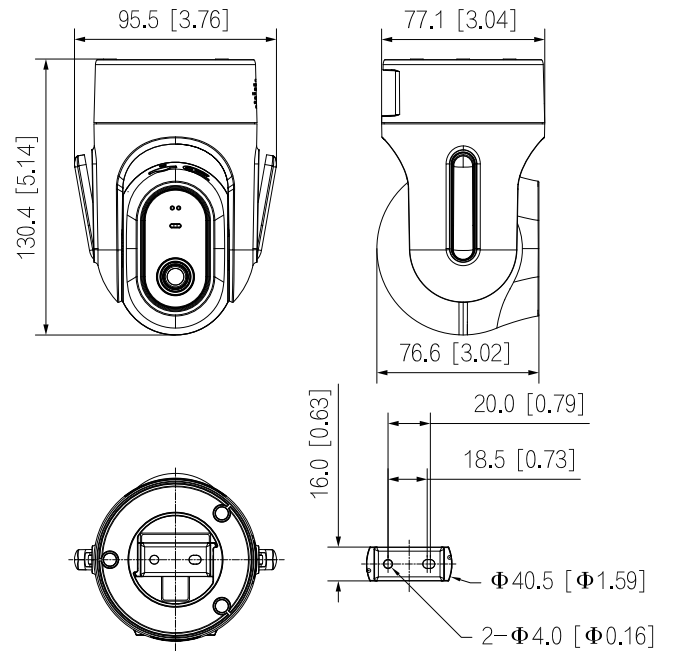
Structure

Product Dimensions	130.4 mm × Φ 95.5 mm (5.13" × 3.76")
Net Weight	0.25 kg (0.55 lb)
Gross Weight	0.5 kg (1.10 lb)

Ordering Information

Type	Model	Description
Wi-Fi Network PT Camera	DH-H2C	2MP Indoor Fixed-focal Wi-Fi Network PT Camera
	H2C	2MP Indoor Fixed-focal Wi-Fi Network PT Camera

Dimensions (mm[inch])



Installation

Ceiling Mount	Plane Mount