

# DHI-ARD324-W2(868S)

## Wireless Door Detector Plus



### System Overview

Wireless Door Detector Plus detects the status of doors and windows, recognizing when they are opening, shocking and tilting. It can connect with wired detectors in one of 3 ways: normally open, normally closed, and pulse. Easy to install and use, all the configurations can be done through the APP.

### Technical Specification

#### Input/Output

Alarm Input	1(Normally Closed;Normally Open;Impulse Count)
-------------	--

#### Function

Indicator Light	1 × green alarm indicator
Button	1 × power switch
Remote Update	Cloud update
Low Battery Detection	Yes
Tamper	Yes
Measuring Range (Temperature)	Indoor: -15 °C to +65 °C (+5 °F to +149 °F)
Measuring Accuracy	±1 °C (±1.8 °F)

#### Technical

Sensor	Triaxial Accelerometer, Reed Switch
Movement Distance	< 40 mm (1.57")
Shock Detection	High, normal, low
Tilt Detection	Up to 25°
Test Mode	Yes
Scenario	Non-metal doors
Operating Current	12 uA

- Displays the temperature of the surrounding environment and supports the overheating alarm.
- Frequency hopping and two-way communication technology ensure that communication is stable.
- Supports cloud update and automatically restores when cloud update fails.
- Supports jamming detection and communication encryption.
- Supports tilt and shock detection, and generates alarms when the event happens.

Alarm Current	2.3 mA
---------------	--------

#### Wireless

Carrier Frequency	868.0 MHz-868.6 MHz
Communication Mechanism	Two-way
Communication Distance	Up to 1,200 m (3937.01 ft) in an open space
Encryption Mode	AES128
Frequency Hopping	Yes

#### General

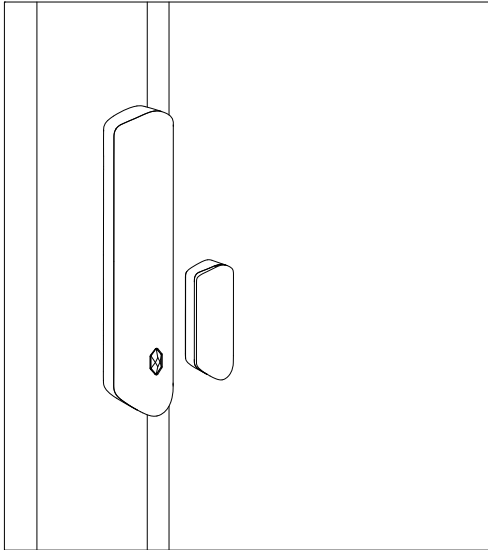
Power Supply	CR123A × 1
Battery Life	If triggered twice a day with a battery efficiency of 70%: 3 years (The external input type is NO) 1.5 years (The external input type is NC)
Power Consumption	167 mW
Operating Temperature	Indoor: -10 °C to +55 °C (+14 °F to +131 °F)
Operating Humidity	10%-90% (RH)
Storage Temperature	-10 °C to +55 °C (+14 °F to +131 °F)
Storage Humidity	10%-90% (RH)
Product Dimensions	100.2 mm × 20.8 mm × 20.3 mm (3.94" × 0.82" × 0.80")
Packaging Dimensions	135.0 mm × 98.5 mm × 27.8 mm (5.32" × 3.87" × 1.09")
Net Weight	70 g (0.15 lb)
Gross Weight	115 g (0.25 lb)
Installation	Bracket mount
Casing Material	PC + ABS
Certifications	CE

# Wireless Door Detector Plus | DHI-ARD324-W2(868S)

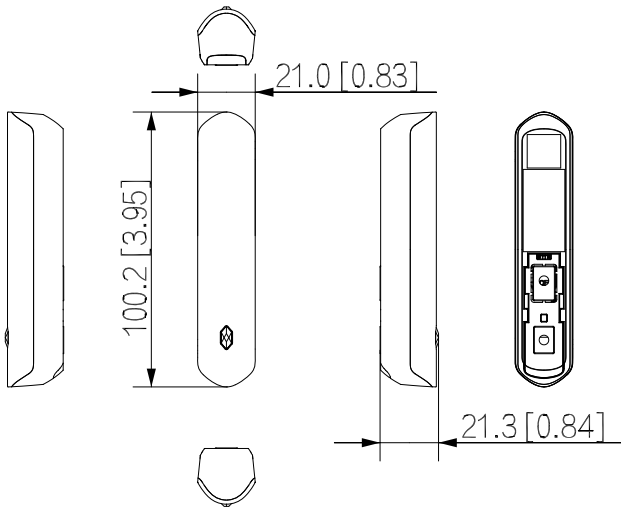
## Ordering Information

Type	Part Number	Description
Wireless Door Detector	DHI-ARD324-W2(868S)	Wireless Door Detector Plus

## Installation



## Dimensions (mm[inch])



## Application

