

DHI-TPC-BF2241

Thermal Network Hybrid Bullet Camera



- Vanadium oxide uncooled focal plane detector.
- 4Megapixel progressive scan CMOS.
- Offers various AI functions such as intrusion, target filtering, heat detection, smoking detection, and call detection.
- Built-in white light and speaker that produce light and sound alarms to deter intruders.
- Built-in IR LED with a maximum illumination distance of 35 m.
- Dual image fusion (visible and thermal images).
- 12 VDC ± 20%/PoE power supply.
- IP67 rated.

Featuring thermal and visible channels, Thermal Network Hybrid Bullet Camera offers various AI functions such as tripwire, intrusion, call detection, smoking detection, and heat detection. It can be used in short-distance monitoring scenes such as perimeter protection and heat monitoring, which provides an all-in-one video surveillance solution for small and medium scenes.

Technical Specification

Thermal

| | |
|--------------------------------------|--|
| Detector Type | Vanadium oxide uncooled focal plane detector |
| Effective Pixels | 256 (H) × 192 (V) |
| Pixel Pitch | 12 μm |
| Spectral Range | 8 μm–14 μm |
| Sensitivity (NETD) | ≤40 mK@f/1.0 |
| Focal Length | 3.5 mm; 7 mm |
| Field of View | 3.5 mm: H: 50.6°; V: 37.8° 7 mm: H: 24°; V: 18° |
| Thermal Focus Control | Fixed-focal |
| Close Focus Distance | 3.5 mm: 0.5 m (1.64 ft) 7 mm: 1 m (3.28 ft) |
| Detection Distance ^① | 3.5 mm: Vehicle: 449 m (1,472.17 ft); Human: 146 m (479.00 ft) 7 mm: Vehicle: 897 m (2,944.34 ft); Human: 292 m (958.01 ft) |
| Recognition Distance ^② | 3.5 mm: Vehicle: 110 m (361.10 ft); Human: 38 m (124.67 ft) 7 mm: Vehicle: 220 m (722.20 ft); Human: 75 m (246.06 ft) |
| Identification Distance ^③ | 3.5 mm: Vehicle: 56 m (182.27 ft); Human: 19 m (62.34 ft) 7 mm: Vehicle: 111 m (364.54 ft); Human: 38 m (124.67 ft) |

Note:

- ① Detection Distance: Detects objects, but cannot recognize their characteristics (objects must cover more than 3.6 pixels of the image).
- ② Recognition Distance: Classifies objects into general categories, such as human, vehicle (the object must cover more than 14 pixels of the image).
- ③ Identification Distance: Classifies objects into specific categories based on their characteristics, such as engineering truck, car (the object must cover more than 28 pixels of the image).

| | |
|----------------------------------|---|
| Digital Detail Enhancement (DDE) | Yes |
| Thermal Image Stabilization | Electronic Image Stabilization (EIS) |
| Digital Zoom | 16 levels |
| Thermal AGC | Auto/Manual |
| Thermal Noise Reduction | 2D NR/3D NR |
| Image Flip | 90°; 180°; 270° |
| Color Palettes | 18 (white hot/black hot/fusion/rainbow/golden autumn/midday/iron red/amber/jade/sunset/icefire/painting/pomegranate/emerald /spring/summer/autumn/winter) |

Visible

| | |
|--------------------------|---|
| Image Sensor | 1/2.7" CMOS |
| Max. Resolution | 2336 (H) × 1752 (V) |
| Pixel | 4 MP |
| Horizontal Definition | ≥1600 TVL |
| Min. Illumination | Color: 0.05 lux B/W: 0.005 lux 0 lux (IR on) |
| Visible AGC | Auto/Manual |
| Visible Noise Reduction | 2D NR/3D NR |
| S/N Ratio | ≥55 dB |
| White Balance | Auto; indoor; outdoor; tracking; manual; natural; street lamp |
| Defog | Electronic defog |
| Electronic Shutter Speed | 1 s–1/30,000 s (auto/manual) |

| | |
|----------------------------|--|
| BLC | Yes |
| WDR | DWDR |
| HLC | Yes |
| Day/Night | Auto (ICR); Color; B/W |
| Iris Control | Fixed |
| Image Flip | 90°; 180°; 270° |
| Exposure Compensation | Yes |
| Visible Focus Control | Fixed-focal |
| Focal Length | 4 mm; 8 mm |
| Field of View | 4 mm: H: 71.2°; V: 52° 8 mm: H: 33.4°; V: 25° |
| Close Focus Distance | 4 mm: 1 m (3.28 ft) 8 mm: 2.5 m (8.20 ft) |
| Aperture | 4 mm: F1.6 8 mm: F2.0 |
| Illuminator On/Off Control | Auto/Manual |
| Illumination Distance | 4 mm: ≥35 m (114.83 ft) 8 mm: ≥50 m (164.04 ft) |

Audio and Video

| | |
|-----------------------|--|
| Video Compression | H.265; H.264; H.264H; H.264B; MJPEG |
| Resolution | Thermal: Main stream: 1.3M (1280 × 960); XGA (1024 × 768); VGA (640 × 480/256 × 192); 1280 × 960 (default) Sub stream: VGA (640 × 480/256 × 192); 256 × 192 (default) Visible: Main stream: 2336 × 1752; 1080p (1920 × 1080); 720p (1280 × 720); D1 (704 × 576); 2336 × 1752 (default) Sub stream: 720p (1280 × 720); D1 (704 × 576); CIF (352 × 288); 352 × 288 (default) |
| Video Frame Rate | Thermal: Main stream: 1 fps–25 fps, 25 fps by default Sub stream: 1 fps–25 fps, 15 fps by default Visible: Main stream: 1 fps–25 fps, 25 fps by default Sub stream: 1 fps–25 fps, 15 fps by default |
| Audio Compression | G.711a; G.711mu; PCM |
| Image Encoding Format | JPEG |

Function

| | |
|--------------------------|---|
| Two-way Audio | Yes |
| Sound and Light Alarm | Yes |
| Network Protocol | HTTPS; HTTP; TCP; ARP; RTSP; RTP; UDP; RTCP; SMTP; FTP; DHCP; DNS; DDNS; PPPOE; IPv4/v6; SNMP; QoS; UPnP; NTP |
| Region of Interest (RoI) | Yes |
| Storage | Micro SD card |
| Micro SD Card (Max.) | 256 GB |
| Interoperability | ONVIF; CGI; Dahua SDK |
| Browser | IE: IE 9 and later (Edge is not supported) Chrome: 42 and earlier Firefox: 42 and earlier |

| | |
|-----------------------|---|
| User/Host | Up to 10 (total bandwidth: 100 MB) |
| Security | Authorized username and password; attached MAC address; encrypted HTTPS; IEEE 802.1x; controlled network access |
| User Management | Up to 10 users; supports multi-level user permissions (2 levels); management group and user group |
| Malfunction Detection | Network disconnection detection; IP conflict detection; memory card state detection; memory space detection |
| Fusion Mode | Warm color; cold color; fuse with iron oxide red |
| PIP | Yes (Intelligence automatically turns off when PIP is on) |

Intelligence

| | |
|----------------------------|---------------------------------------|
| Heat Detection | Yes |
| Cold/Hot Spot Trace | Yes |
| IVS (Perimeter Protection) | Yes. Supports tripwire and intrusion. |
| Target Distinction | Human/Vehicle Classification |
| Smoking Detection | Yes |
| Call Detection | Yes |

Port

| | |
|--------------|---------------------------|
| Network Port | 1 × RJ-45 (10/100 Base-T) |
| Alarm Input | 1 |
| Alarm Output | 1 |
| Audio Input | 1 |
| Audio Output | 1 |
| RS-485 | 1 |

Power

| | |
|-------------------|--|
| Power Supply | 12 VDC, 1 A ± 20%, PoE (802.3af) |
| Power Consumption | Basic: <5.0 W (12 VDC); 4.8 W (PoE) Max: <12 W (12 VDC); 12.3 W (PoE) |
| ePoE | Yes |

Environment

| | |
|-----------------------|--------------------------------------|
| Operating Temperature | −30 °C to +60 °C (−22 °F to +140 °F) |
| Operating Humidity | ≤95% |
| Storage Temperature | −40 °C to +70 °C (−40 °F to +158 °F) |

Physical Characteristics

| | |
|-------------|---|
| Protection | IP67 |
| Reliability | Surge protection: 6 kV Air discharge of 15 kV Contact discharge of 8 kV |

Structure

| | |
|----------------------|--|
| Product Dimensions | 279.9 mm × 103.8 mm × 95.8 mm (10.31" × 0.46" × 4.35") (L × W × H) |
| Packaging Dimensions | 365 mm × 175 mm × 176 mm (14.37" × 6.89" × 6.92") (L × W × H) |
| Net Weight | ≤1.4 kg (3.09 lb) |
| Gross Weight | ≤1.9 kg (4.19 lb) |

Heat Detection Distance

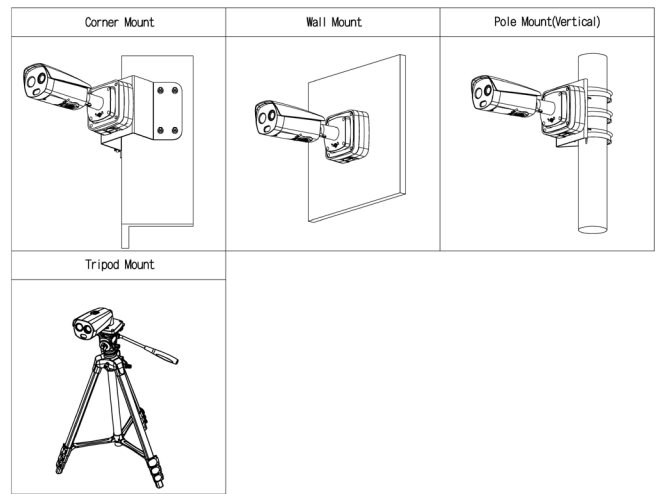
| Focal Length | Max. Distance |
|--------------|------------------|
| 3.5 mm | 22 m (72.18 ft) |
| 7 mm | 40 m (131.23 ft) |

Note:
 The table displays the measured distances obtained from using the target size 0.2 m × 0.2 m for testing in an environment where the temperature is 23 °C and the relative humidity is below 60%.
 The table is for reference only. The distances within it are subject to actual conditions including atmospheric conditions, target size, the installation site, and more.

Perimeter Protection Distance

| Focal Length | Distance (Human) | Distance (Vehicle) |
|--------------|-------------------|---------------------|
| 3.5 mm | 24.5 m (80.38 ft) | 72.5 m (237.86 ft) |
| 7 mm | 49 m (160.76 ft) | 146.5 m (480.64 ft) |

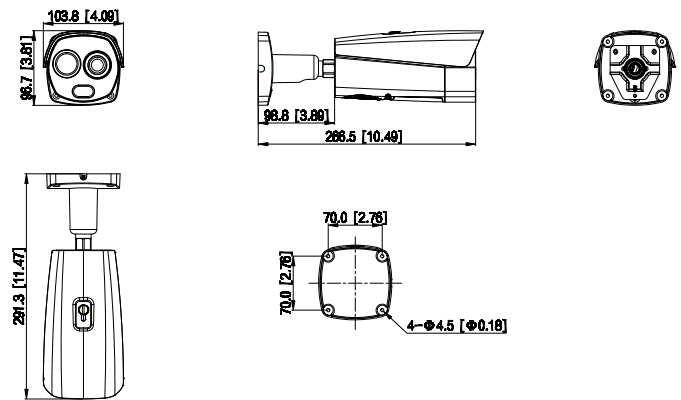
Note:
 The table displays the optimal distance obtained from using the target sizes 1.8 m × 0.5 m (human) and 4 m × 1.4 m (vehicle) for testing in an environment where the temperature is 23 °C and the relative humidity is below 60%.
 The table is for reference only. The distances within it are subject to actual conditions including atmospheric conditions, target size, the installation site, and more.



Ordering Information

| Type | Model | Description |
|------------------------|---------------------------|--|
| Thermal Camera | DHI-TPC-BF2241-B3F4-DW-S2 | Thermal: 3.5 mm; Visible: 4 mm |
| | DHI-TPC-BF2241-B7F8-DW-S2 | Thermal: 7 mm; Visible: 8 mm |
| Accessories (Optional) | PFA121 | Water-proof Junction Box (wall mount) |
| | PFA121+PFA150 | Water-proof Junction Box + Pole Mount Bracket (pole mount) |
| | PFA121+PFA151 | Water-proof Junction Box + Corner Mount Bracket (corner mount) |

Dimensions (mm[inch])



Accessories

Optional:



PFA121
 Water-proof Junction Box (wall mount)



PFA121+PFA150
 Water-proof Junction Box + Pole Mount Bracket (pole mount)



PFA121+PFA151
 Water-proof Junction Box + Corner Mount Bracket (corner mount)