

DS-TCG205-E Series Economic ANPR Camera

Entrance & Exit Product

2MP

CMOS

ANPR

IR

VF

Relays

All-in-one

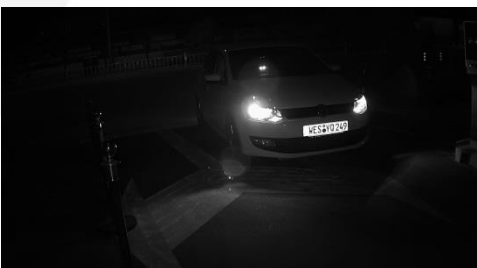
PowerZoom



DS-TCG205-E series camera, based on deep learning, consists of protective cover, lens, camera, LED and power supply, offers high-definition Progressive Scan CMOS, and integrates intelligent recognition algorithms for specific applications such as entrance management, road safety enforcement, in-vehicle monitoring, parking lot control, etc.

Key Features

- 1/3" Progressive Scan CMOS
- Up to 1920 × 1200 resolution with real-time video
- 2x pics high-performance LEDs (integrated white light and IR)
- 3.1 to 6mm motorized vari-focal lens
- Support relay output to control vehicle barrier
- Support loop triggering or radar triggering
- Support multi-frame LPR
- Support dirty license plate recognition
- Support quick pass of multiple vehicles
- Integrated shield, lights, TF Card (up to 128 G)
- Up to 30,000 whitelists
- Offline control
- PoE (802.3af)
- One-touch focus
- Manual capture and ANPR



Features and Functions

Multi-Frame LPR

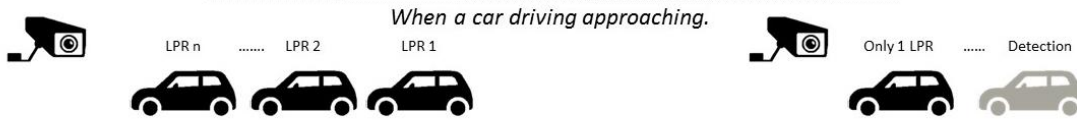


Multi-frame LPR

VS



LPR only one frame



Comparison to guarantee best result

- High Accuracy



Quick Pass of Multiple Cars



Free-flow

VS



Stop & Go, one by one



time-consuming

- More efficient and Lower the risk of car damage

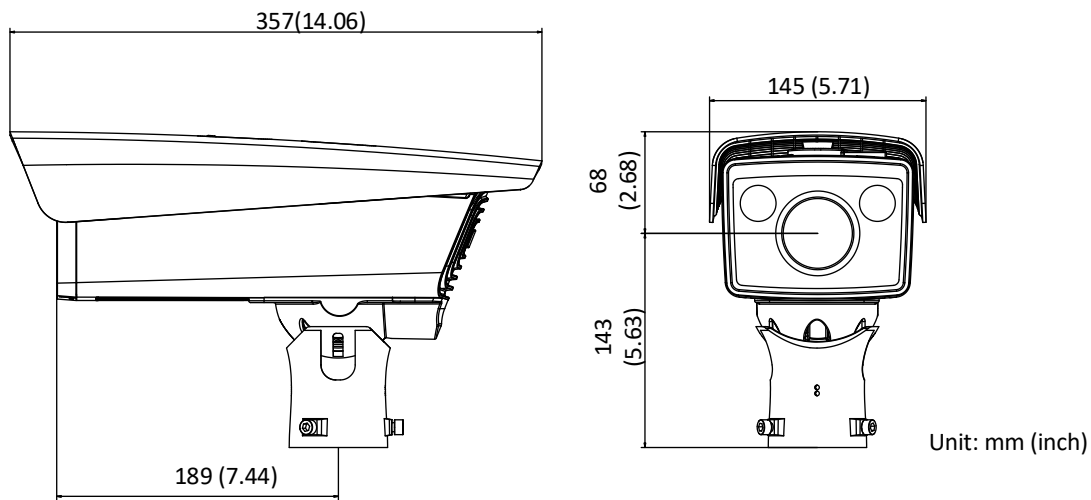


Specification

Camera	Image Sensor	1/3" Progressive Scan CMOS
	Min. Illumination	Color: 0.022Lux@(F1.2, AGC ON) B/W: 0.011Lux@(F1.2, AGC ON)
	Shutter Speed	1/30 s to 1/100,000 s
	Lens	3.1 mm to 6 mm
	IR Cut Filter	Support
Compression Standard	Video Compression	H.264/H.265/MJPEG
	Vieo Bit Rate	32 Kbps to 16 Mbps
Image	Image Format	JPEG
	Max. Resolution	1920 × 1200
	Frame Rate	25 fps(1920 × 1200)
	Image Settings	Saturation: 0 to 100 Brightness: 0 to 100 Contrast: 0 to 100 Gain: 0 to 100 3D DNR: Off, Normal and Expert modes are selectable. White balance: White Balance 1 and White Balance 2 are selectable.
Snapshot	Picture Format	JPEG with configurable quality
	Analytic	Support ANPR
	LED Control	Support automatic light control/time control of LEDs
Network	Storage	TF
	Protocols	TCP/IP, HTTP, DHCP, DNS, RTP, RTSP, NTP, FTP Upload Pictures
	Security	User Authentication, Heartbeat, NTP
	API	ISAPI, SDK
Interfaces	Communication Interface	1 RJ45 10M/100M Ethernet port
	Serial Port	1 RS-485 Port
	Built-in LED	2 built-in LEDs (integrated white light and IR)
	Audio Output	1-ch audio output
	Triggered Input	3-ch triggered input, including 1-ch I/O triggered input and 2-ch alarm input
	Relay Output	2-ch relay output, support open/close of barrier gates
	Memory Card Slot	1 TF card slot, up to 128GB
General	Working Temperature	-25°C to 70°C (-13°F to 158°F)
	Working Humidity	90% or less (non-condensing)
	Power Supply	12 VDC, PoE (802.3af) or AC100V~240V
	Power Consumption	22W Max
	Protection Level	IP67, IK10
	Vehicle Brand	Hyundai, Toyota, Kia, Honda, Volkswagen, Benz, Nissan, Ford, ISUZU, BMW, Chevrolet, Mitsubishi, Renault, Opel, Suzuki, Skoda, Daewoo, Audi, Mazda, Hino, Peugeot, Ssang Yong, Citroen, Fiat, Scania, MAN, Volvo, Lexus, Seat, Land Rover, Daihatsu, UD Trucks, Subaru, IVECO, MINI, Jeep, Porsche, Chery, Dodge, Chrysler, Acura, Alfa Romeo, Great Wall, Infiniti, Smart, SAIC Maxus, JAC, Jaguar, GMC, Lincoln, JMC, SAAB,

		FAW, Yutong, Mercury, Joylong, Geely, Cadillac, Jinbei, Ankai, Haima, Foton, King Long, Dongfeng, Emgrand
	Country/Region supported by ANPR	<p>Mid-East: United Arab Emirates (Abu Dhabi, Fuchaiha, Dubai, Cape Haima, Ozhman, Sharjah, Umgavan), Qatar, Iran, Iraq, Egypt, Jordan, Kuwait, Saudi Arabia, Pakistan, Oman, Lebanon, Bahrain</p> <p>Africa: Nigeria, Kenya, Cote d'Ivoire, South Africa, Tanzania, Mauritius, Morocco, Tunisia, Sierra Leone, Zambia, Ghana, Zimbabwe, Uganda, Angola, Ethiopia, Senegal, Algeria</p> <p>Asia-Pacific: Australia, New Zealand, Indonesia, Malaysia, Singapore, South Korea, Thailand, Vietnam, Philippines, Hong Kong, Macao, Taiwan, Burma, India, Mongolia, Cambodia, Laos, Bangladesh</p> <p>America: United States of America, Canada, Argentina, Chile, Paraguay, Uruguay, El Salvador, Bolivia, Colombia, Brazil, Ecuador, Peru, Mexico, Panama, Costa Rica, Trinidad and Tobago, Dominican, Guatemala</p> <p>Europe: Turkey, Croatia, Slovakia, Czech Republic, Bulgaria, Macedonia, Hungary, Greece, Poland, France, Netherlands, Switzerland, Spain, Britain, Ireland, Germany, Italy, Austria, Israel, Palestine, Belgium, Luxembourg</p> <p>Russian-Speaking Regions: Azerbaijan, Belarus, Kazakhstan, Lithuania, Georgia, Estonia, Latvia, Russian Federation, Ukraine, Moldova, Uzbekistan, Kyrgyzstan, Armenia, Albania, Kosovo</p>
	ANPR Recognition Accuracy (Under recommended installation and lighting conditions)	<p>Capture rate > 98%</p> <p>Vehicle moving direction recognition accuracy > 96%</p> <p>Mistaken capture rate < 2% (entrance/exit), < 5% (checkpoint)</p> <p>European and Russian-Speaking Regions:</p> <p>LPR accuracy > 98%</p> <p>Country/Region recognition accuracy > 98%</p>

Dimensions



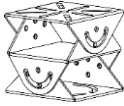
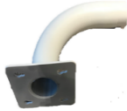
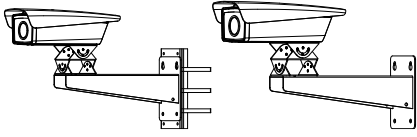



Available Models

DS-TCG205-E(220V)

DS-TCG205-E(12V/Poe)

Accessory

DS-1275ZJ/HWB Hoop Mount	DS-1701ZJ/HWB Wall Mount	Cardan Joint	Wall Mount
			
			

L1300-R117 Pole Mount	L2500-X1300-R117 Pole Mount
