

## DS-2CD3347G2-LS(U) 4 MP ColorVu Fixed Turret Network Camera

# ColorVu



Hikvision ColorVu technology provides 24/7 vivid colorful images with F1.0 advanced lenses and high performance sensors. F1.0 super-aperture collects more light to produce brighter images. Advanced sensor technology can vastly improve the utilization of available light.

- 24/7 Colorful imaging
- High quality imaging with 4 MP resolution
- Efficient H.265+ compression technology
- Clear imaging against strong back light due to 130 dB WDR technology
- Support 12 VDC power output for pickup
- Audio and alarm interfaces available
- -U: Built-in microphone for real-time audio security
- Water and dust resistant (IP67)

## ▪ Specification

| Camera                 |   |
|------------------------|---|
| Image Sensor           | 1/1.8" Progressive Scan CMOS  |
| Min. Illumination      | Color: 0.0005 Lux @ (F1.0, AGC ON), 0 Lux with white light  |
| Shutter Speed          | 1/3 s to 1/100,000 s  |
| Slow Shutter           | Yes   |
| P/N                    | P/N   |
| Wide Dynamic Range     | 130 dB  |
| Angle Adjustment       | Pan: 0° to 360°, tilt: 0° to 75°, rotate: 0° to 360°  |
| Lens                   |   |
| Lens Type              | Fixed focal lens, 2.8, 4, and 6 mm optional   |
| Iris Type              | Fixed   |
| Lens Mount             | M16   |
| Focal Length & FOV     | 2.8 mm, horizontal FOV 112°, vertical FOV 61°, diagonal FOV 134°<br>4 mm, horizontal FOV 95°, vertical FOV 51°, diagonal FOV 115°<br>6 mm, horizontal FOV 58°, vertical FOV 31°, diagonal FOV 69°                 |
| Aperture               | F1.0  |
| DORI                   |   |
| DORI                   | 2.8 mm, D: 58 m, O: 23 m, R: 11 m, I: 2 m<br>4 mm, D: 77 m, O: 30 m, R: 15 m, I: 7 m<br>6 mm, D: 115 m, O: 45 m, R: 23 m, I: 11 m   |
| Illuminator            |   |
| Supplement Light Type  | White Light   |
| White Light Range      | Warm white LEDs (3000 K)<br>Up to 40 m  |
| Smart Supplement Light | Yes   |
| Video                  |   |
| Max. Resolution        | 2688 × 1520   |
| Main Stream            | 50 Hz: 25 fps (2688 × 1520, 1920 × 1080, 1280 × 720)<br>60 Hz: 30 fps (2688 × 1520, 1920 × 1080, 1280 × 720)  |
| Sub-Stream             | 50 Hz: 25 fps (1280 × 720, 640 × 480, 640 × 360)<br>60 Hz: 30 fps (1280 × 720, 640 × 480, 640 × 360)  |
| Third Stream           | 50 Hz: 10 fps (1920 × 1080, 1280 × 720, 640 × 480, 640 × 360)<br>60 Hz: 10 fps (1920 × 1080, 1280 × 720, 640 × 480, 640 × 360)<br>*Third stream is supported under certain settings.                              |
| Fourth Stream          | 50 Hz: 10 fps (1280 × 720, 640 × 480, 640 × 360)<br>60 Hz: 10 fps (1280 × 720, 640 × 480, 640 × 360)<br>*Fourth stream is supported under certain settings.   |
| Video Compression      | Main stream: H.265/H.264/H.264+/H.265+<br>Sub-stream: H.265/H.264/MJPEG<br>Third stream: H.265/H.264<br>Fourth stream: H.265/H.264/MJPEG<br>*Third stream and fourth stream are supported under certain settings. |
| Video Bit Rate         | 32 Kbps to 8 Mbps   |
| H.264 Type             | Baseline Profile/Main Profile/High Profile  |

|                             |   |
|-----------------------------|---|
| H.265 Type                  | Main Profile  |
| H.264+                      | Main stream supports  |
| H.265+                      | Main stream supports  |
| Bit Rate Control            | CBR/VBR   |
| Scalable Video Coding (SVC) | H.264 and H.265 encoding  |
| Region of Interest (ROI)    | 5 fixed regions for main stream and sub-stream  |
| <b>Audio</b>                |   |
| Environment Noise Filtering | Yes   |
| Audio Sampling Rate         | 8 kHz/16 kHz/32 kHz/44.1 kHz/48 kHz   |
| Audio Compression           | G.711ulaw/G.711alaw/G.722.1/G.726/MP2L2/PCM/MP3/AAC-LC  |
| Audio Bit Rate              | 64 Kbps (G.711ulaw/G.711alaw)/16 Kbps (G.722.1)/16 Kbps (G.726)/32 to 192 Kbps (MP2L2)/8 to 320 Kbps (MP3)/16 to 64 Kbps (AAC-LC)   |
| <b>Network</b>              |   |
| Simultaneous Live View      | Up to 6 channels  |
| API                         | Open Network Video Interface (PROFILE S, PROFILE G, PROFILE T), ISAPI, SDK, ISUP  |
| Protocols                   | TCP/IP, ICMP, HTTP, HTTPS, FTP, DHCP, DNS, DDNS, RTP, RTSP, NTP, UPnP, SMTP, IGMP, 802.1X, QoS, IPv4, IPv6, UDP, Bonjour, SSL/TLS, PPPoE, ARP, SNMP, WebSocket, WebSockets  |
| User/Host                   | Up to 32 users. 3 user levels: administrator, operator and user   |
| Security                    | Password protection, complicated password, HTTPS encryption, IP address filter, Security Audit Log, basic and digest authentication for HTTP/HTTPS, TLS 1.1/1.2, WSSE and digest authentication for Open Network Video Interface  |
| Network Storage             | NAS (NFS, SMB/CIFS), auto network replenishment (ANR)<br>Together with high-end Hikvision memory card, memory card encryption and health detection are supported.   |
| Client                      | iVMS-4200, Hik-Connect, Hik-Central   |
| Web Browser                 | Plug-in required live view: IE 10, IE 11<br>Plug-in free live view: Chrome 57.0+, Firefox 52.0+, Edge 89+<br>Local service: Chrome 57.0+, Firefox 52.0+, Edge 89+   |
| <b>Image</b>                |   |
| SNR                         | ≥ 52 dB   |
| Day/Night Switch            | Auto, Schedule  |
| Target Cropping             | Yes   |
| Image Enhancement           | BLC, HLC, 3D DNR  |
| Image Parameters Switch     | Yes   |
| Image Settings              | Rotate mode, saturation, brightness, contrast, sharpness, gain, white balance adjustable by client software or web browser  |
| <b>Interface</b>            |   |
| Alarm                       | 1 input, 1 output (max. 12 VDC, 30mA)   |
| Built-in Microphone         | -U: Yes   |
| Ethernet Interface          | 1 RJ45 10 M/100 M self-adaptive Ethernet port   |
| Audio                       | 1 input (line in), two-core terminal block, max. input amplitude: 3.3 vpp, input impedance: 4.7 KΩ, interface type: non-equilibrium<br>1 output (line out), two-core terminal block, max. output amplitude: 3.3 vpp, output impedance: 100 Ω, interface type: non-equilibrium, mono sound |

|                                  |   |
|----------------------------------|---|
| On-Board Storage                 | Built-in micro SD/SDHC/SDXC slot, up to 512 GB  |
| Hardware Reset                   | Yes   |
| Power Output                     | 12 VDC, max. 100 mA (supported by all power supply types)   |
| <b>Event</b>                     |   |
| Basic Event                      | Motion detection (human and vehicle targets classification), video tampering alarm, exception   |
| Smart Event                      | Unattended baggage detection, object removal detection, scene change detection, audio exception detection   |
| <b>Deep Learning Function</b>    |   |
| Face Capture                     | Yes   |
| Perimeter Protection             | Line crossing detection, intrusion detection, region entrance detection, region exiting detection   |
| <b>General</b>                   |   |
| Linkage Method                   | Upload to NAS/memory card/FTP, notify surveillance center, trigger recording, trigger capture, send email, audible warning  |
| Firmware Version                 | V5.5.112  |
| Web Client Language              | 33 languages<br>English, Russian, Estonian, Bulgarian, Hungarian, Greek, German, Italian, Czech, Slovak, French, Polish, Dutch, Portuguese, Spanish, Romanian, Danish, Swedish, Norwegian, Finnish, Croatian, Slovenian, Serbian, Turkish, Korean, Traditional Chinese, Thai, Vietnamese, Japanese, Latvian, Lithuanian, Portuguese (Brazil), Ukrainian |
| General Function                 | Anti-flicker, heartbeat, mirror, privacy mask, flash log, password reset via email, pixel counter   |
| Software Reset                   | Yes   |
| Storage Conditions               | -30 °C to 60 °C (-22 °F to 140 °F). Humidity 95% or less (non-condensing)   |
| Startup and Operating Conditions | -30 °C to 60 °C (-22 °F to 140 °F). Humidity 95% or less (non-condensing)   |
| Power Supply                     | 12 VDC ± 25%, reverse polarity protection<br>PoE: 802.3af, Class 3  |
| Power Consumption and Current    | 12 VDC, 0.55 A, max. 6.6 W<br>PoE (802.3af, 36 V to 57 V), 0.22 A to 0.13 A, max. 7.6 W   |
| Power Interface                  | Ø5.5 mm coaxial power plug  |
| Camera Material                  | Aluminum alloy body   |
| Camera Dimension                 | Ø138.3 mm × 125.2 mm (Ø5.4" × 4.9")   |
| Package Dimension                | 170 mm × 170 mm × 150 mm (6.7" × 6.7" × 5.9")   |
| Camera Weight                    | Approx. 790 g (1.7 lb.)   |
| With Package Weight              | Approx. 1070 g (2.4 lb.)  |
| <b>Approval</b>                  |   |
| EMC                              | FCC SDoC (47 CFR Part 15, Subpart B);<br>CE-EMC (EN 55032: 2015, EN 61000-3-2: 2014, EN 61000-3-3: 2013, EN 50130-4: 2011 +A1: 2014);<br>RCM (AS/NZS CISPR 32: 2015);<br>IC VoC (ICES-003: Issue 6, 2016);<br>KC (KN 32: 2015, KN 35: 2015)   |

|             |   |
|-------------|---|
| Safety      | UL (UL 60950-1);<br>CB (IEC 60950-1:2005 + Am 1:2009 + Am 2:2013, IEC 62368-1:2014);<br>CE-LVD (EN 60950-1:2005 + Am 1:2009 + Am 2:2013, IEC 62368-1:2014);<br>BIS (IS 13252(Part 1):2010+A1:2013+A2:2015);<br>LOA (IEC/EN 60950-1) |
| Environment | CE-RoHS (2011/65/EU); WEEE (2012/19/EU);<br>Reach (Regulation (EC) No 1907/2006)  |
| Protection  | IP67 (IEC 60529-2013)   |

### ▪ Available Model

DS-2CD3347G2-LS (2.8/4/6 mm)

DS-2CD3347G2-LSU (2.8/4/6 mm)

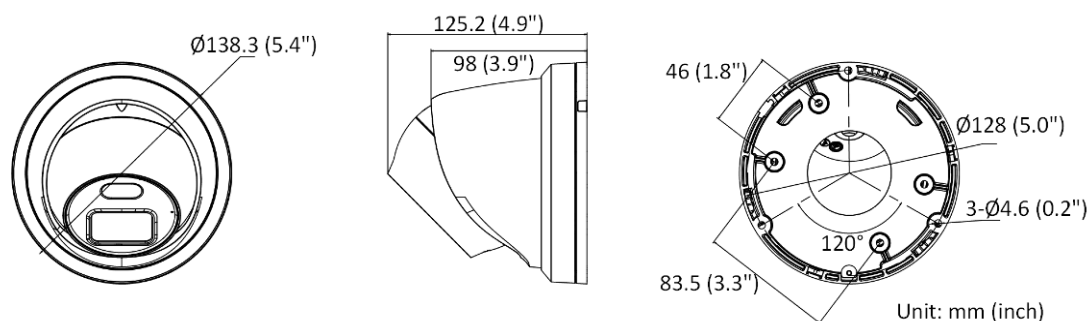
### ▪ Typical Application

Hikvision products are classified into three levels according to their anti-corrosion performance. Refer to the following description to choose for your using environment.

This model has NO SPECIFIC PROTECTION.



| Level                  | Description  |
|------------------------|--|
| Top-level protection   | Hikvision products at this level are equipped for use in areas where professional anti-corrosion protection is a must. Typical application scenarios include coastlines, docks, chemical plants, and more.   |
| Moderate protection    | Hikvision products at this level are equipped for use in areas with moderate anti-corrosion demands. Typical application scenarios include coastal areas about 2 kilometers (1.24 miles) away from coastlines, as well as areas affected by acid rain. |
| No specific protection | Hikvision products at this level are equipped for use in areas where no specific anti-corrosion protection is needed.  |

### ▪ Dimension



▪ **Accessory**

▪ **Optional**

| DS-1273ZJ-140B<br>Wall Mount  | DS-1273ZJ-140<br>Wall Mount   | DS-1275ZJ-SUS<br>Vertical Pole Mount  | DS-1280ZJ-PT6<br>Junction Box   | DS-1276ZJ-SUS<br>Corner Mount   |
|---|---|---|---|---|
|    |  |  |  |  |
|    |  |  |  |  |
| <p><b>DS-1271ZJ-140</b><br/><b>Pendant Mount</b></p>                                |   |   |   |   |
|  |   |   |   |   |
|  |   |   |   |   |

