

DHI-ASR2101H

Access Reader



Technical Specification

System

OSDP Protocol	Yes
Button Type	Mechanical

Basic

Product Type	Card reader
Buzzer	Yes
Backlight	Yes
Casing Material	PC + ABS

Function

Unlock Mode	Card, password
Card Type	IC card

Performance

Response Time	0.1 s
Card Reading Distance	0 cm–8 cm (0"–3.15")

Port

RS-485	1
Wiegand	1 channel output

Alarm

Tamper Alarm	Yes
--------------	-----

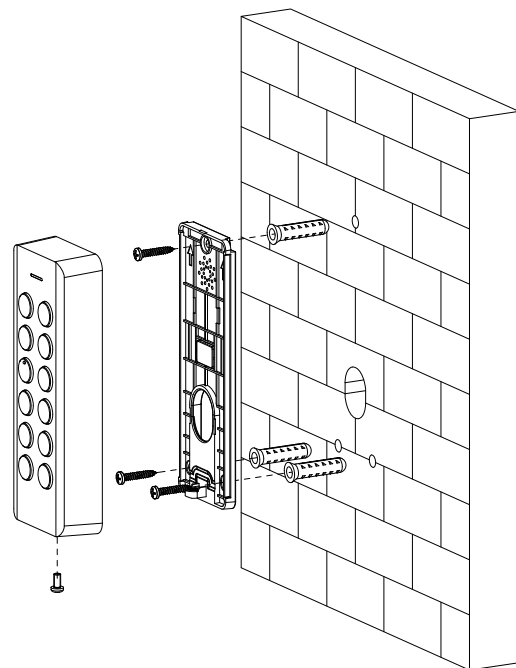
General

Power Supply	12 VDC, 0.5 A
Protection	IP66
Power Consumption	≤ 0.48 W (standby), ≤ 1.2 W (working)
Product Dimensions	127 mm × 46 mm × 20 mm (5.00" × 1.81" × 0.79")

- Card unlock and password unlock.
- RS-485 and Wiegand 34 communication (Wiegand 26 can be configured).
- Prompts using the buzzer and indicator light.
- Tamper alarm.
- Watchdog monitors and controls the device when it behaves abnormally, performing recoveries when necessary to ensure the long-term operation of the device.
- All the connection ports have overcurrent and overvoltage protection.
- IP66 rated.

Packaging Dimensions	139 mm × 73 mm × 48 mm (5.47" × 2.87" × 1.89")
Operating Temperature	–30 °C to +70 °C (–22 °F to +158 °F)
Operating Humidity	≤ 95% (RH)
Operating Environment	Outdoor
Gross Weight	104 g (0.23 lb)
Installation	Surface Mount

Installation



DHI-ASR2101H

Dimensions (mm[inch])

