

DH-PFS3218-16GT-135

18-Port Economical Gigabit Switch with 16-Port PoE



Series Overview

DH-PFS3218-16GT-135 Unmanaged All-gigabit Switch is highly efficient, coming with 16 × 10/100/1000 Mbps PoE ports. It consumes 135 W at most, and has 16 × 10/100/1000 Mbps Ethernet ports and 2 × 1000 Mbps uplink SFPs. Hassle-free, it does not require any configuration due to its plug-and-play design. The switch supports extend mode that provides up to 250 m transmission, and is a reliable, cost-effective option for small and medium-sized scenes.

Functions

Intelligent PoE

Provides power consumption control and real-time monitoring to guarantee priority of power supply for important ports and prevent malfunctioning caused by power consumption change. Supports ultra wide power supply, able to adapt to IPC power fluctuation.

Long Distance PoE

By dialing or enabling long-range transmission on the WEB interface, the transmission distance of a PoE port can be up to 250 m, meeting the requirement of wired transmission (bandwidth reduced to 10 Mbps).

Eight-pin PoE

Supports 8-pin simultaneous power supply (1/2/4/5 positive, 3/6/7/8 negative). Signal lines and idle lines supply power at the same time. Compatibility with IPC is enhanced. Cable loss is reduced. Loading capacity is increased.

Plug and Play

Hassle-free, it does not require any configuration. Simply use after it is powered on.

All-Gigabit Ports

Designed with large buffer memory and all-Gigabit ports, enabling high-definition access of large stream.

- Unmanaged gigabit PoE switch.
- Complies with IEEE802.3, IEEE802.3u, IEEE802.3ab, and IEEE802.3x, IEEE802.3z standards.
- A wide operating temperature range and a full metal casing that is fully-enclosed and dust-proof.
- Easy to install, and plug and play.
- Meets the IEEE 802.3af and IEEE802.3at power supply standards.
- Supports 250 m long-distance transmission mode.
- Manages PoE power consumption and PoE power on/off. Automatically turns off PoE if an overload is detected.



Wide Operating Temperature

Supports working at ambient temperatures of -10°C to $+55^{\circ}\text{C}$, and has built-in professional lightning-proof circuits that effectively reduce the impact of thunderstorms on network systems and improve system robustness, allowing the device to adapt to harsh environments.

Scene

Suitable for small-scale scenes such as offices, schools, hotels, supermarkets, and hospitals.

Technical Specification

Hardware

Included Power Adapter	Yes
PoE	Yes
Ethernet Port	16
Ethernet Port Speed	10/100/1000 Mbps
Optical Port Uplink Speed	1 Gbps
Description of Function Slots	Port 1-16:16 × RJ-45 10/100/1000 Mbps; Port 17-18:2 × SFP 1000 Mbps
Power Supply	Built-in power supply: 100–240 VAC; 50/60 Hz; 2.5 A (maximum)
Operating Temperature	−10 °C to +55 °C (+14 °F to +131 °F)
Operating Humidity	5%–95% (RH), non-condensing
Power Consumption	Idling: 9 W Full load: 135 W

Performance

Layer	Layer 2
Management Type	No
Smart Managed Switch	No
Switching Capacity	36 Gbps
Packet Forwarding Rate	26.784 Mpps
Packet Buffer Size	4.1 Mbit
Jumbo Frame	9600 Byte
MAC Table Size	8K Byte
Communication Standard	IEEE802.3, IEEE802.3u, IEEE802.3x, IEEE802.3ab, IEEE802.3z

Feature

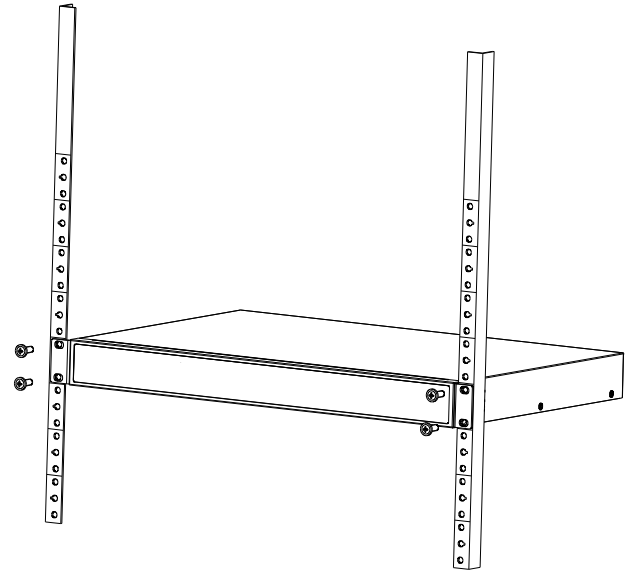
PoE Protocol	IEEE 802.3af; IEEE 802.3at
PoE Power	Port 1–16 ≤30 W; Total ≤135 W
PoE Pin Assignment	1, 2, 4, 5 (V+), 3, 6, 7, 8 (V−)
ePoE	No
Long Distance PoE Transmission	Yes

General

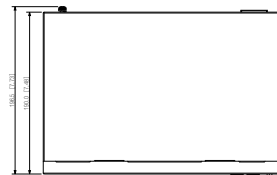
Statics Protection	Air discharge: 8 kV Contact discharge: 6 kV
Lighting Protection	Common mode: 2 kV Differential mode: 0.5 kV
Net Weight	1.62 kg (3.57 lb)
Gross Weight	2.34 kg (5.15 lb)
Product Dimensions	285.0 mm × 189.5 mm × 43.7 mm (11.22" × 7.46" × 1.72")(L × W × H)
Packaging Dimensions	369 mm × 299 mm × 81 mm (14.53" × 11.77" × 3.19") (L × W × H)

Casing Material	Iron
Installation	Desktop mount; rack mount; wall mount
Certifications	CE; FCC

Installation



Dimensions (mm[inch])



Panels

