

DH-PFL1575-A12D

12MP 1/1.7" 15-75mm Vari-focal Lens



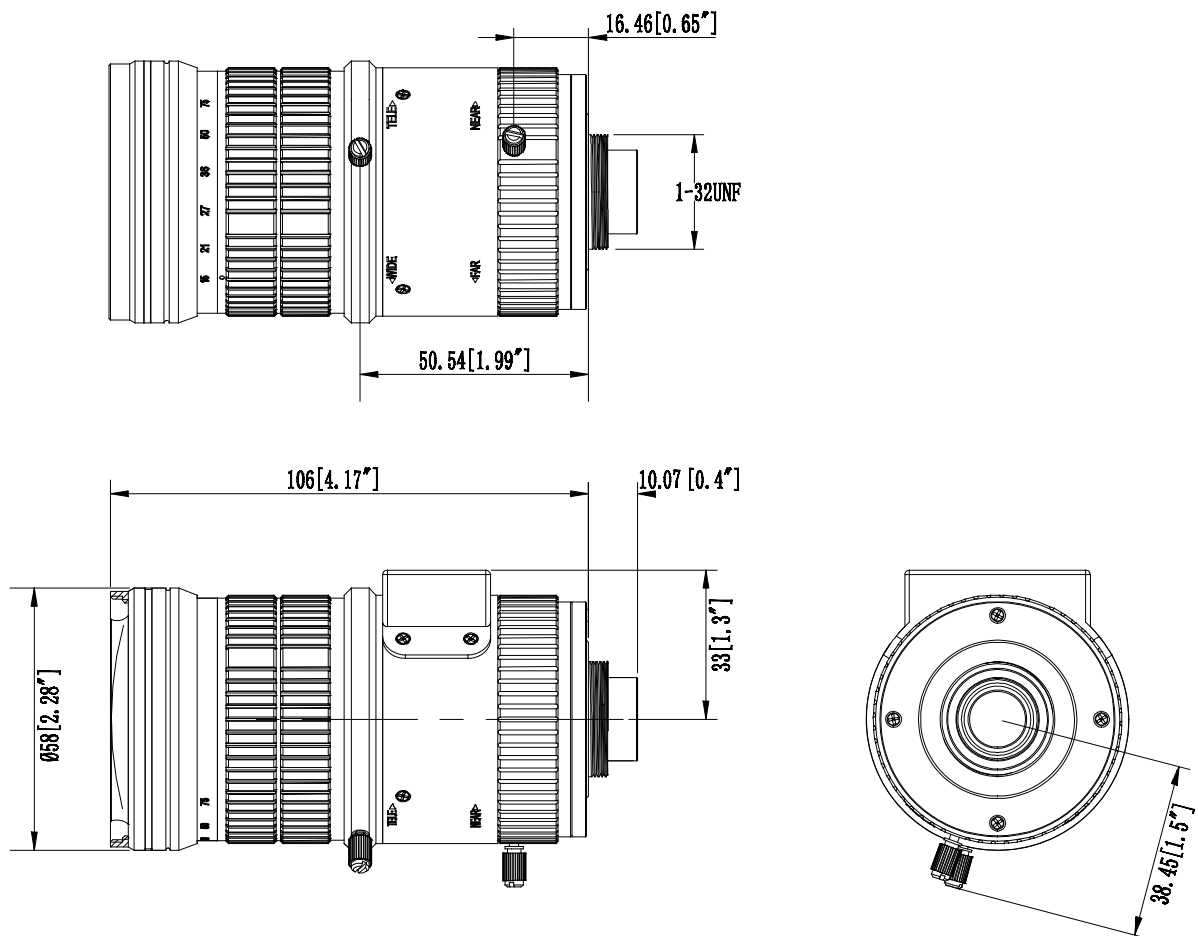
Technical Specifications

| | | |
|------------------------|--------------|--|
| Model | | DH-PFL1575-A12D |
| Parameter | | |
| Image Format | | 1/1.7" |
| Focal Length | | 15-75mm |
| Lens Pixel | | 12MP |
| Aperture | | F1.5 |
| Mount | | C |
| Field Angle (D*H*V) | 1/1.7"(4:3) | W: 33°(D)x26°(H)x19.2°(V) T: 7.8°(D)x6.3°(H)x4.7°(V) |
| | 1/1.7"(17:9) | W: 30.6°(D)x26.8°(H)x13.8°(V) T: 7.3°(D)x6.5°(H)x3.4°(V) |
| | 1/2" | W: 28°(D)x22.2°(H)x16.5°(V) T: 6.7°(D)x5.4°(H)x4°(V) |
| Lens Control | Focus | Manual |
| | Zoom | Manual |
| | Iris | DC-Iris |
| IR Correction | | Yes |
| M.O.D. | | 1.5m (4.92ft) |
| Dimension | | φ58mmx116mm (φ2.28"x4.57") |
| Weight | | 465g (1.03lb) |
| Operating Temperature | | -30°C ~+70°C (-22°F ~+158°F) |
| Humidity | | <90% RH |
| Certifications | | |
| Certifications | | CE (EN55032, EN55024, EN50130-4) FCC (CFR 47 Part 15 Subpart B) |

Order Information

| Type | Part Number | Description |
|------|-----------------|-------------------------------------|
| Lens | DH-PFL1575-A12D | 12MP 1/1.7" 15-75mm vari-focal lens |
| | PFL1575-A12D | 12MP 1/1.7" 15-75mm vari-focal lens |

Dimensions (mm/inch)



Application



Package Information

- 12MP 1/1.7" 15-75mm vari-focal lens PFL1575-A12D *1
- CS to C mount adapter *1