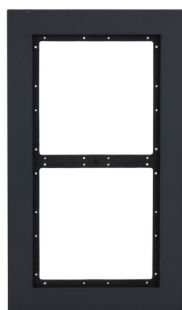


VTM25P2

Panel



VTM25P2

Technical Specification

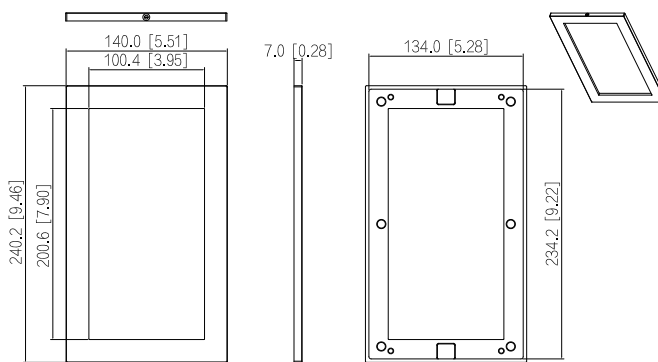
General

Model	VTM25P2
Color	Black
Dimensions	140mm×240.20mm×7.0mm (5.51"×9.46"×0.28")
Material	Aluminum

Ordering Information

Model	Description
VTM25P2	2-modular panel, used with VTM127, and applicable to VTO4202FB series

Dimensions (mm[inch])



VTM25P2