

# DH-HAC-ME1500B-L

## 5MP HDCVI Active Deterrence Camera



\* The parameters and datasheets below can only be applied to 1500-S2 series.

\* In order to use the 5MP 16:9 HDCVI camera, the firmware of XVR must be upgraded to V4.001.0000001.0.R.200908 or later version.

- Max 25 fps@5MP (16:9 video output)
- CVI/CVBS/AHD/TVI switchable
- Active deterrence with warm light
- Built-in PIR, 10 m/110° detecting range/angle
- 3.6 mm fixed lens (2.8 mm optional)
- Max. IR length 30 m, Smart IR
- IP67, 12 V DC



### System Overview

Active Deterrence Series provides multi-dimensional system that links video with audio, information and alarm to verify potential risks. Active deterrence camera can actively warn off intruders with light and siren, alert users in real-time with alarm-over-coax, and provide visual verification with HDCVI video.

### Functions

#### Active Deterrence

Active deterrence is to warn off intruders actively with white light even before users are aware of the incidence. Once an intrusion is detected, the white light will turn on to alert the intruder. The white light can be set to normally on or flash.

#### Simplicity

HDCVI technology inherits the born feature of simplicity from traditional analog surveillance system, making itself a best choice for investment protection. HDCVI system can seamlessly upgrade the traditional analog system without replacing existing coaxial cabling. The plug and play approach enables high definition video surveillance without the hassle of configuring a network.

#### Smart Illumination

The camera is designed with IR illumination for best lowlight performance. Smart IR is a technology to ensure brightness uniformity in B/W image under low illumination. Dahua's unique Smart IR adjusts to the intensity of camera's infrared LEDs to compensate for the distance of an object, and prevents IR LEDs from overexposing images as the object come closer to the camera.

#### 4 Signals over 1 Coaxial Cable

HDCVI technology supports 4 signals to be transmitted over 1 coaxial cable simultaneously, i.e. video, audio\*, data and power. Dual-way data transmission allows the HDCVI camera to interact with the XVR, such as sending control signal or triggering alarm. Moreover, HDCVI technology supports PoC for construction flexibility.

\* Audio input is available for some models of HDCVI cameras.

#### Long Distance Transmission

HDCVI technology guarantees real-time transmission at long distance without any loss. It supports up to 700m transmission for 2MP/5MP/8MP HD video via coaxial cable, and up to 300m via UTP cable.\* \*Actual results verified by real-scene testing in Dahua's test laboratory.

#### Protection (IP67, wide voltage)

IP67: The camera passes a series of strict test on dust and soak. It has dust-proof function, and the enclosure can works normal after soaking in 1 m deep water for 30 minutes.

Wide voltage: The camera allows  $\pm 30\%$  (for some power supplies) input voltage tolerance (wide voltage range), and it is widely applied to outdoor environment with instable voltage.

**Technical Specification**

**Camera**

Image Sensor	5MP
Max. Resolution	1/2.7"CMOS
Pixel	2880(H)×1620(V)
Scanning System	Progressive
Electronic Shutter Speed	PAL: 1/25 s–1/100,000 s NTSC: 1/30 s–1/100,000 s
S/N Ratio	0.005 Lux/F1.6, 30IRE, 0 Lux IR on
Min. Illumination	> 65 dB
Illumination Distance	30 m (98.4 ft)
Illuminator On/Off Control	Auto
Illuminator Number	1(IR light)
Pan/Tilt/Rotation Range	Pan: 0°–360° Tilt: 0°–90° Rotation: 0°–360°

**Lens**

Lens Type	Fixed-focal				
Mount Type	M12				
Focal Length	2.8 mm; 3.6 mm				
Max. Aperture	F1.6				
Field of View	2.8 mm: H: 113°; V: 60°; D: 132° 3.6 mm: H: 90°; V: 48°; D: 104°				
Iris Type	Fixed iris				
Close Focus Distance	2.8 mm: 1.0 m 3.6 mm: 1.5 m				
DORI Distance	Lens	Detect	Observe	Recognize	Identify
	2.8 mm	61.2 m (200.8 ft)	24.5 m (80.4 ft)	12.2 m (40.0 ft)	6.1 m (20.0 ft)
	3.6 mm	77.8 m (255.2 ft)	31.1 m (102.0 ft)	15.6 m (51.2 ft)	7.8 m (25.6 ft)

**Video**

Frame Rate	CVI: PAL: 5M@25 fps; 4M@25 fps; 1080p@25 fps; NTSC: 5M@25 fps; 4M@30 fps; 1080p@30 fps AHD: PAL: 4M@25 fps; NTSC: 4M@30 fps TVI: PAL: 4M@25 fps; NTSC: 4M@30 fps CVBS: PAL: 960H; NTSC: 960H
Resolution	5M (2880 × 1620); 4M (2560 × 1440); 1080p (1920 × 1080); 960 H (960 × 576/960 × 480)
Day/Night	Auto switch by ICR

BLC	BLC/HLC/DWDR
WDR	DWDR
White Balance	Auto/Area WB
Gain Control	Auto
Noise Reduction	2D NR
Smart IR	Yes
Mirror	Off/On
Privacy Masking	Off/On (8 area, rectangle)

**PIR**

Detection Mode	Pyroelectric infrared sensor
Max. Detection Range	10 m(32.8 ft), 110°
Recommended Installation Height	2.2 m–3 m (7.2 ft-9.8 ft)
Recommended Working Temperature	–10 °C to 50 °C (14 °F to 122 °F)

**Active Deterrence**

White Light Warning	lighting/flash; Alert Duration: 5 s–60 s; flash Freq: low/medium/high
---------------------	-----------------------------------------------------------------------------

**Certifications**

Certifications	CE (EN55032:2015, EN61000-3-2:2014, EN61000-3-3:2013, EN55024:2010+A1:2015, EN55035:2017, EN50130-4:2011+A1:2014) FCC (CFR 47 FCC Part 15 subpartB, ANSI C63.4-2014) UL (UL60950-1+CAN/CSA C22.2 No.60950-1) IEC 62368-1:2014 (Second Edition)
----------------	---------------------------------------------------------------------------------------------------------------------------------------------------------------------------------------------------------------------------------------------------------

**Port**

Video Output	Video output choices of CVI/TVI/AHD/CVBS by one BNC port
--------------	----------------------------------------------------------

**Power**

Power Supply	DC12 V±30%
Power Consumption	Max 4.5 W (12 V DC, IR on)

**Environment**

Operating Temperature	–40 °C to +60 °C (–40 °F to 140 °F); < 95% (non-condensation)
Storage Temperature	–40 °C to +60 °C (–40 °F to 140 °F); < 95% (non-condensation)
Protection Grade	IP67

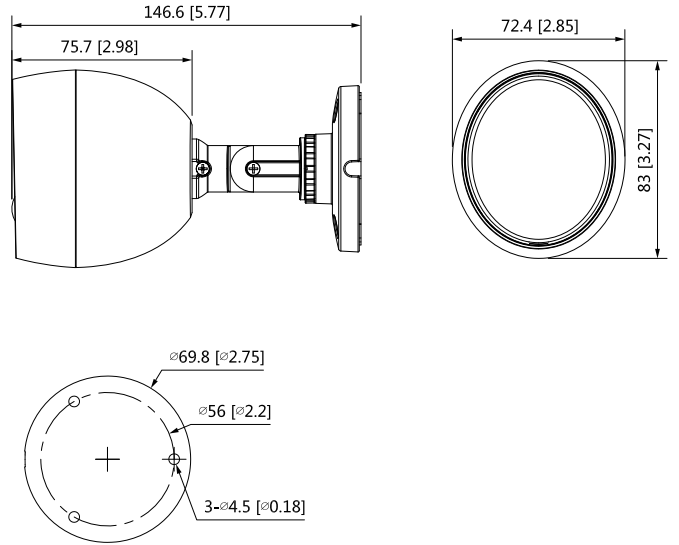
**Structure**

Casing	Cover: Metal Rear: Plastic
Camera Dimensions	146.6 mm × 72.4 mm × 83.0 mm (5.77" × 2.85" × 3.27")
Net Weight	0.24 kg (0.53 lb)
Gross Weight	0.35 Kg (0.77 lb)

**Ordering Information**

Type	Model	Description
SMP Camera	DH-HAC-ME1500BP-L	5MP HDCVI Active Deterrence Fixed IR Bullet Camera, PAL
	DH-HAC-ME1500BN-L	5MP HDCVI Active Deterrence Fixed IR Bullet Camera, NTSC
Accessories (Optional)	PFA134	IP66 Junction box
	PFA152-E	Pole Mount Bracket
	PFM800-4K	Passive HDCVI Balun
	PFM321D	12V 1A Power Adapter
	PFM904	Integrated Mount Tester

**Dimensions (mm[inch])**



**Accessories**

**Optional:**



PFA134  
IP66 Junction box



PFA152-E  
Pole Mount Bracket



PFM800-4K  
Passive HDCVI Balun



PFM321D  
12 V 1A Power Adapter



PFM904  
Integrated Mount Tester

Ceiling Mount	Junction Mount	Pole Mount(Vertical)