

DH-HAC-ME1200B-LS

2MP HDCVI Active Deterrence Camera



* The parameters and datasheets below can only be applied to 1200-S5 series.

- Max 30 fps@1080P
- CVI/CVBS/AHD/TVI switchable
- Active deterrence with warm light and speaker
- Built-in PIR, 10 m/110° detecting range/angle
- 3.6mm fixed lens (2.8mm optional)
- Max. IR length 30 m, Smart IR
- IP67, 12V DC



System Overview

Active Deterrence Series provides multi-dimensional system that links video with audio, information and alarm to verify potential risks. Active deterrence camera can actively warn off intruders with light and speaker, alert users in real-time with alarm-over-coax, and provide visual verification with HDCVI video.

Functions

Active Deterrence

Active deterrence is to warn off intruders actively with white light and speaker even before users are aware of the incidence. Once an intrusion is detected, the white light will turn on and the speaker will buzz to alert the intruder. The white light can be set to normally on or flash, the content of speaker is configurable.

Simplicity

HDCVI technology inherits the born feature of simplicity from traditional analog surveillance system, making itself a best choice for investment protection. HDCVI system can seamlessly upgrade the traditional analog system without replacing existing coaxial cabling. The plug and play approach enables high definition video surveillance without the hassle of configuring a network.

Smart Illumination

The camera is designed with IR illumination for best lowlight performance. Smart IR is a technology to ensure brightness uniformity in B/W image under low illumination. Dahua's unique Smart IR adjusts to the intensity of camera's infrared LEDs to compensate for the distance of an object, and prevents IR LEDs from overexposing images as the object come closer to the camera.

4 Signals over 1 Coaxial Cable

HDCVI technology supports 4 signals to be transmitted over 1 coaxial cable simultaneously, i.e. video, audio*, data and power. Dual-way data transmission allows the HDCVI camera to interact with the XVR, such as sending control signal or triggering alarm. Moreover, HDCVI technology supports PoC for construction flexibility.

* Audio input is available for some models of HDCVI cameras.

Long Distance Transmission

HDCVI technology guarantees real-time transmission at long distance without any loss. It supports up to 700m transmission for 2MP/5MP/8MP HD video via coaxial cable, and up to 300m via UTP cable. * Actual results verified by real-scene testing in Dahua's test laboratory.

Protection (IP67, wide voltage)

IP67: The camera passes a series of strict test on dust and soak. It has dust-proof function, and the enclosure can work normal after soaking in 1 m deep water for 30 minutes.

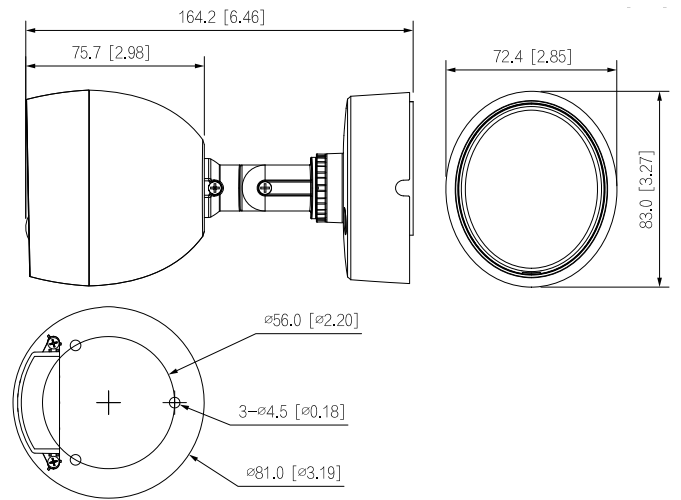
Wide voltage: The camera allows $\pm 30\%$ (for some power supplies) input voltage tolerance (wide voltage range), and it is widely applied to outdoor environment with instable voltage.

Technical Specification					
Camera					
Image Sensor	2MP CMOS				
Max. Resolution	1920 (H) × 1080 (V)				
Pixel	2MP				
Scanning System	Progressive				
Electronic Shutter Speed	PAL: 1/25 s–1/100,000 s NTSC: 1/30 s–1/100,000 s				
Min. Illumination	0.02 Lux/F2.0, 30 IRE, 0 Lux IR on				
S/N Ratio	> 65 dB				
Illumination Distance	30 m (98.4 ft)				
Illuminator On/Off Control	Auto				
Illuminator Number	1 (IR light)				
Pan/Tilt/Rotation Range	Pan: 0°–360° Tilt: 0°–90° Rotation: 0°–360°				
Lens					
Lens Type	Fixed-focal				
Lens Mount	M12				
Focal Length	2.8mm;3.6mm;				
Max. Aperture	F1.6				
Field of View	2.8 mm: F2.0 3.6 mm: F2.0				
Field of View	2.8 mm: H:100°; V: 53°; D: 120° 3.6 mm: H:83°; V: 44°; D: 99°				
Close Focus Distance	2.8 mm: 0.6 m (2.0 ft) 3.6 mm: 0.8 m (2.6 ft)				
DORI Distance	Lens	Detect	Observe	Recognize	Identify
	2.8 mm	46.9 m (153.9 ft)	18.8 m (61.7 ft)	9.4 m (30.8 ft)	4.7 m (15.4 ft)
	3.6 mm	53.7 m (176.2 ft)	21.5 m (70.5 ft)	10.7 m (35.1 ft)	5.4 m (17.7 ft)
Video					
Video Frame Rate	CVI: PAL: 1080p@25 fps; NTSC: 1080p@30 fps AHD: PAL: 1080p@25 fps; NTSC: 1080p@30 fps TVI: PAL: 1080p@25 fps; NTSC: 1080p@30 fps CVBS: PAL: 960H; NTSC: 960H				
Resolution	1080p (1920 × 1080); 960 H (960 × 576/960 × 480)				
Day/Night	Auto (ICR)				
BLC	BLC/HLC/DWDR				
WDR	DWDR				
White Balance	Auto/Area WB				
Gain Control	Auto				
Noise Reduction	2D NR				
Smart Illumination	Yes				
Mirror	Yes				
Privacy Masking	Off/On (8area,rectangle)				
PIR					
Detection Mode	Pyroelectric infrared sensor				
Max. Detection Range	10 m (32.8 ft), 110°				
Recommended Installation Height	2.2 m–3 m (7.2 ft-9.8 ft)				
Recommended Working Temperature	–10 °C to 50 °C (14 °F to 122 °F)				
Active Deterrence					
White Light Warning	lighting/flash; Alert Duration:5 s–60 s; flash Freq: low/medium/high				
Sound Warning	Audio 1/2/3; Volume: high/medium/low; duration: 5s–60s; 110 dB				
Certifications					
Certifications	CE (EN55032:2015, EN61000-3-2:2014, EN61000-3-3:2013, EN55024:2010+A1:2015, EN55035:2017, EN50130-4:2011+A1:2014) FCC (CFR 47 FCC Part 15 subpartB, ANSI C63.4-2014) UL (UL60950-1+CAN/CSA C22.2 No.60950-1) IEC 62368-1:2014 (Second Edition)				
Port					
Video Output	Video output choices of CVI/TVI/AHD/CVBS by one BNC port				
Power					
Power Supply	DC12 V±30%				
Power Consumption	Max 4.9 W (12 V DC, IR on)				
Environment					
Operating Temperature	–40 °C to +60 °C (–40 °F to 140 °F); < 95% (non-condensation)				
Storage Temperature	–40 °C to +60 °C (–40 °F to 140 °F); < 95% (non-condensation)				
Protection	IP67				
Structure					
Casing	Cover: Metal Rear: Plastic				
Camera Dimensions	164.2 mm × 72.4 mm × 83.0mm (6.46" × 2.85" × 3.27")				
Net Weight	0.27 kg (0.60 lb)				
Gross Weight	0.41 Kg (0.90 lb)				

Ordering Information

Type	Model	Description
2MP Camera	DH-HAC-ME1200BP-LS	2MP HDCVI Active Deterrence Fixed IR Bullet Camera, PAL
	DH-HAC-ME1200BN-LS	2MP HDCVI Active Deterrence Fixed IR Bullet Camera, NTSC
Accessories (Optional)	PFA134	Junction box
	PFA152-E	Pole Mount Bracket
	PFM800-E	Passive HDCVI Balun
	PFM321D	12 V 1A Power Adapter
	PFM904	Integrated Mount Tester

Dimensions (mm[inch])



Accessories

Optional:



PFA134
Junction box



PFA152-E
Pole Mount Bracket



PFM800-E
Passive HDCVI Balun



PFM321D
12 V 1A Power Adapter



PFM904
Integrated Mount Tester

Ceiling Mount	Junction Mount	Pole Mount (Vertical)