

DS-2CE17K0T-LFS

3K Dual-Light Audio Fixed Bullet Camera



- High quality imaging with 3K, 2960 × 1665 resolution
- 2.8 mm, 3.6 mm and 6 mm fixed focal lens
- Up to 40 m IR distance for bright night imaging
- Up to 40 m white light distance for bright night imaging
- One port for four switchable signals (TVI/AHD/CVI/CVBS)
- Water and dust resistant (IP67)

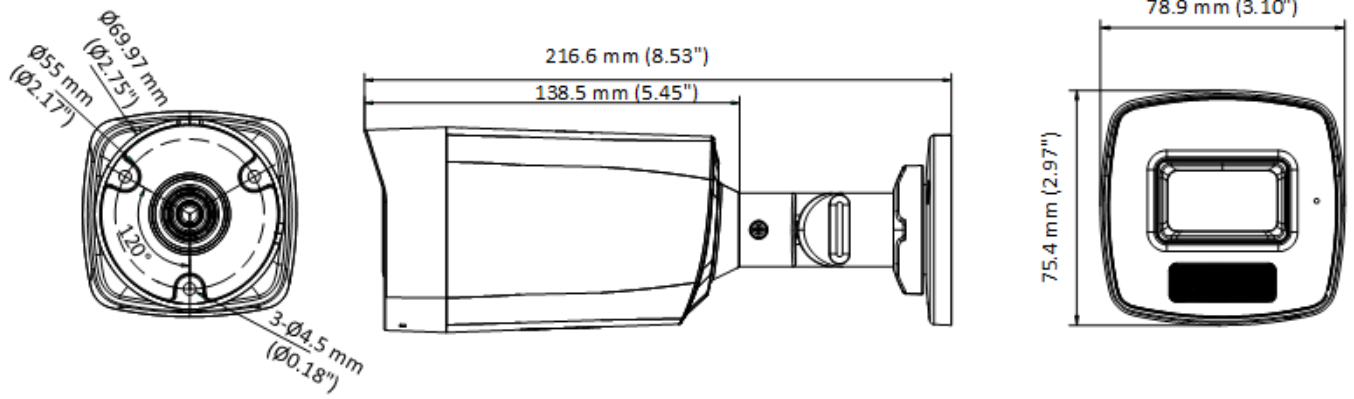
▪ Specification

Camera	
Image Sensor	3K CMOS
Max. Resolution	2960 (H) × 1665 (V)
Min. Illumination	0.01 Lux @ (F1.2, AGC ON), 0 Lux with IR
Shutter Time	PAL: 1/25 s to 1/50, 000 s; NTSC: 1/30 s to 1/50, 000 s
Day & Night	ICR
Angle Adjustment	Pan: 0 to 360°, Tilt: 0 to 180°, Rotation: 0 to 360°
Signal System	PAL/NTSC
Lens	
Lens Type	2.8 mm, 3.6 mm and 6 mm fixed focal lens
Focal Length & FOV	2.8 mm, horizontal FOV: 107°, vertical FOV: 64°, diagonal FOV: 129° 3.6 mm, horizontal FOV: 83°, vertical FOV: 48°, diagonal FOV: 102° 6 mm, horizontal FOV: 53°, vertical FOV: 31°, diagonal FOV: 63°
Lens Mount	M12
Illuminator	
Supplement Light Type	White Light, IR
Supplement Light Range	IR : Up to 40 m White Light : Up to 40 m
Image	
Image Settings	Brightness, Sharpness, Smart IR
Frame Rate	TVI: 3K@20 fps, 4 MP@25 fps/30 fps, 1080p@25 fps/30 fps AHD: 5 MP@20 fps, 4 MP@25 fps/30 fps CVI: 4 MP@25 fps/30 fps CVBS: PAL/NTSC
Day/Night Mode	IR/White Light
Wide Dynamic Range (WDR)	Digital WDR
Image Enhancement	Yes
White Balance	Auto/Manual
AGC	Yes
Interface	
Video Output	Switchable TVI/AHD/CVI/CVBS
General	
Material	Front cover: Metal Main body: Plastic
Dimension	216.6 mm × 78.9 mm × 75.4 mm (8.53" × 3.10" × 2.97")
Weight	Approx. 340 g (0.75 lb.)
Operating Condition	-40 °C to 60 °C (-40 °F to 140 °F), humidity: 90% or less (non-condensation)
Communication	HIKVISION-C
Language	English
Power Supply	12 VDC ± 25% <i>*You are recommended to use one power adapter to supply the power for one camera.</i>
Consumption	Max. 4.5 W
Approval	
Protection	IP67

▪ **Available Model**

DS-2CE17K0T-LFS

▪ **Dimension**



▪ **Accessory**

▪ **Optional**

DS-1280ZJ-XS

Junction box

