

DS-2CE12KF3T-PIRXO

3K ColorVu PIR Siren Fixed Bullet Camera



- High quality imaging with 3K, 2960 × 1665 resolution
- 24/7 color imaging
- Clear imaging against strong back light due to 130 dB true WDR technology
- 3D DNR technology delivers clean and sharp images
- 2.8 mm, 3.6 mm fixed focal lens
- Up to 40 m White Light distance for bright night imaging
- Detects human body through heat-sensitive passive infrared (PIR)
- Active strobe light and audio alarm to warn intruders off
- Water and dust resistant (IP67)
- High quality audio with built-in speaker

▪ Specification

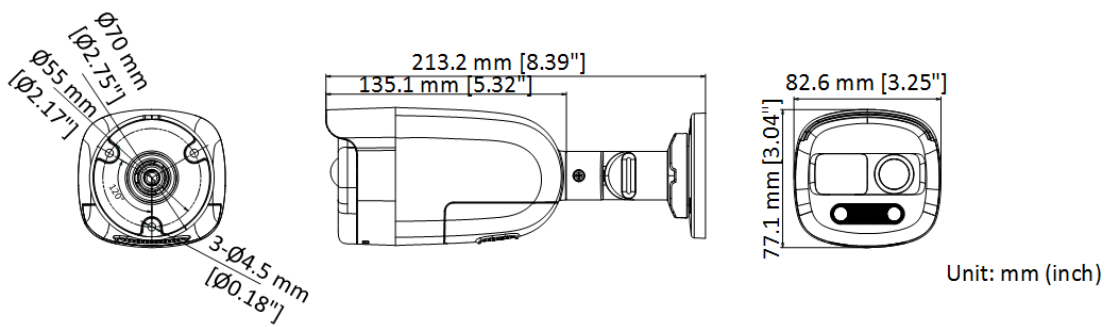
Camera	
Image Sensor	1/1.8" 3K CMOS
Max. Resolution	2960 (H) × 1665 (V)
Min. Illumination	0.0003 Lux @ (F1.0, AGC ON), 0 Lux with white Light
Shutter Time	PAL: 1/25 s to 1/50,000 s; NTSC: 1/30 s to 1/50,000 s
Day & Night	24/7 Color Imaging
Angle Adjustment	Pan: 0° to 360°, Tilt: 0° to 180°, Rotation: 0° to 360°
Signal System	PAL/NTSC
Slow Shutter	Max. 16 times
Lens	
Lens Type	2.8 mm, 3.6 mm fixed focal lens
Focal Length & FOV	2.8 mm, horizontal FOV: 109°, vertical FOV: 58°, diagonal FOV: 129° 3.6 mm, horizontal FOV: 92°, vertical FOV: 45°, diagonal FOV: 111°
Lens Mount	M16
Illuminator	
Supplement Light Type	White Light
Supplement Light Range	Up to 40 m
Smart Supplement Light	Yes
Image	
Image Parameters Switch	STD/HIGH-SAT/HIGHLIGHT
Image Settings	Brightness, Contrast, Mirror, Defective Pixel Correction, Sharpness, Smart Light, Anti-Banding, AGC
Frame Rate	3K@20 fps, 4 MP@30 fps, 4 MP@25 fps, 1080p@30 fps, 1080p@25 fps
Day/Night Mode	Color
Wide Dynamic Range (WDR)	≥130 dB
Image Enhancement	WDR, BLC, HLC, Global, HLS
Privacy Mask	4 programmable privacy masks
Noise Reduction	3D DNR/2D DNR
White Balance	Auto/Manual
White Light	Auto/Off
Supplement Detection(PIR)	
PIR Range	11 m
PIR Angle	110°
Interface	
Video Output	1 HD analog output
Alarm	1 line out Flashing Light Alarm (White)
Event	
Motion Detection	4 programmable motion areas
General	
Power	12 VDC ± 25%, max. 7.9 W <i>*You are recommended to use one power adapter to supply the power for one camera.</i>
Material	Front cover: Metal, Main body: Plastic
Dimension	82.6 mm × 77.1 mm × 213.2 mm (3.25" × 3.04" × 8.39")

Weight	Approx. 467 g (1.03 lb.)
Operating Condition	-40°C to 60°C (-40°F to 140°F), humidity: 90% or less (non-condensing)
Communication	HIKVISION-C
Language	English
Approval	
Protection	IP67

▪ Available Model

DS-2CE12KF3T-PIRXO

▪ Dimension



▪ Accessory

▪ Optional

DS-1280ZJ-XS

Junction box

