

DS-2CD2D25G1/M-D/NF 2 MP Mini Network Camera



- High quality imaging with 2 MP resolution
- Efficient H.265+ compression technology to save bandwidth and storage
- Clear imaging against strong back light due to 120 dB true WDR technology
- 3D DNR technology delivers clean and sharp images

▪ Specification

Camera	
Image Sensor	1/2.8" Progressive Scan CMOS
Max. Resolution	1920 × 1080
Min. Illumination	Color: 0.002 Lux @ (F1.2, AGC ON)
Shutter Time	1/3 s to 1/100,000 s
Lens	
Focal Length & FOV	2.8 mm: horizontal FOV: 107.8°, vertical FOV: 57.9°, diagonal FOV: 126.7° 4 mm: horizontal FOV: 82.8°, vertical FOV: 45.1°, diagonal FOV: 98°
Lens Mount	M12
Iris Type	Fixed
Aperture	2.8 mm: F2.0 4 mm: F2.0
DORI	
DORI	2.8 mm: D: 42.8 m, O: 17 m, R: 8.6 m, I: 4.3 m 4 mm: D: 55.2 m, O: 21.9 m, R: 11 m, I: 5.5 m
Video	
Main Stream	50 Hz: 50 fps (1920 × 1080, 1280 × 720) 60 Hz: 60 fps (1920 × 1080, 1280 × 720)
Sub-Stream	50 Hz: 25 fps (640 × 480, 640 × 360, 320 × 240) 60 Hz: 30 fps (640 × 480, 640 × 360, 320 × 240)
Third Stream	50 Hz: 1 fps (1920 × 1080, 1280 × 720, 640 × 480, 640 × 360, 320 × 240) 60 Hz: 1 fps (1920 × 1080, 1280 × 720, 640 × 480, 640 × 360, 320 × 240)
Video Compression	Main stream: H.265/H.264 Sub-stream: H.265/H.264/MJPEG Third stream: H.265/H.264
H.264 Type	Baseline Profile/Main Profile/High Profile
H.265 Type	Main Profile
Bit Rate Control	CVR/BVR
Scalable Video Coding (SVC)	H.264 and H.265 encoding
Region of Interest (ROI)	Support 1 fixed region for main stream
Audio	
Audio Type	Mono
Audio Compression	G.711/G.722.1/G.726/MP2L2/PCM/AAC
Audio Bit Rate	64 Kbps (G.711)/16 Kbps (G.722.1)/16 Kbps (G.726)/32 to 192 Kbps (MP2L2)/16 to 64 Kbps (AAC)
Audio Sampling Rate	8 kHz/16 kHz/32 kHz
Environment Noise Filtering	Yes
Network	
Protocols	TCP/IP, ICMP, HTTP, HTTPS, FTP, DHCP, DNS, DDNS, RTP, RTSP, RTCP, NTP, UPnP, SMTP, SNMP, IGMP, 802.1X, QoS, IPv6, UDP, Bonjour, SSL/TLS
Simultaneous Live View	Up to 15 channels
API	Open Network Video Interface, ISAPI, SDK, ISUP 5.0
User/Host	Up to 32 users 3 level: administrator, operator, and user

Network Storage	NAS (NFS, SMB/CIFS)
Client	iVMS-4200, Hik-Connect
Web Browser	Plug-in required live view: IE10, IE11 Plug-in free live view: Chrome 57.0+, Firefox 52.0+ Local service: Chrome 57.0+, Firefox 52.0+
Image	
Image Parameters Switch	Yes
Image Settings	Saturation, brightness, contrast, and sharpness adjustable by client software or web browser
Day/Night Switch	Day, Night, Auto, Schedule
Wide Dynamic Range (WDR)	120 dB
Image Enhancement	BLC, HLC, defog, 3D DNR
Privacy Mask	Yes
Interface	
Ethernet Interface	1 RJ45 10 M/100 M self-adaptive Ethernet port
Audio	1 input (line in), 1 output (line out)
Reset Key	Yes
Event	
Basic Event	Motion detection, video tampering alarm, exception (HDD full, HDD error, network disconnected), video quality diagnosis
Smart Event	Intrusion detection, line crossing detection, region entrance detection, region exiting detection, unattended baggage detection, object removal detection Audio exception detection, defocus detection, scene change detection
Linkage	Upload to FTP/NAS/memory card, notify surveillance center, send email, trigger recording, trigger capture, audible warning
General	
Power	12 VDC \pm 20%, 0.13 A, max. 1.5 W, \varnothing 5.5 mm coaxial power plug
Dimension	31.5 mm \times 31.5 mm \times 49.6 mm (1.2" \times 1.2" \times 2")
Package Dimension	130 mm \times 104 mm \times 85 mm (5.1" \times 4.1" \times 3.3")
Weight	Approx. 93 g (0.2 lb.)
With Package Weight	Approx. 202 g (0.4 lb.)
Storage Conditions	-30 °C to 60 °C (-22 °F to 140 °F). Humidity 95% or less (non-condensing)
Startup and Operating Conditions	-30 °C to 60 °C (-22 °F to 140 °F). Humidity 95% or less (non-condensing)
Language	18 languages: English, Traditional Chinese, Russian, Turkish, Japanese, Korean, Thai, Vietnamese, Estonian, Bulgarian, Hungarian, Czech, Slovak, French, Italian, German, Spanish, Portuguese
General Function	One-key reset, heartbeat, mirror, password protection, privacy mask, rotate, watermark, IP address filter

Approval	
EMC	FCC (47 CFR Part 15, Subpart B); CE-EMC (EN 55032: 2015, EN 61000-3-2:2019, EEN 61000-3-3:2013+A1:2019, EN 50130-4: 2011+A1: 2014); RCM (AS/NZS CISPR 32: 2015); IC (ICES-003: Issue 7); KC (KN 32: 2015, KN 35: 2015)
Safety	UL (UL 62368-1); CB (IEC 62368-1:2014+A11); CE-LVD (EN 62368-1:2014/A11:2017); BIS (IS 13252(Part 1):2010/ IEC 60950-1 : 2005); LOA (IEC/EN 60950-1)
Environment	CE-RoHS (2011/65/EU); WEEE (2012/19/EU); Reach (Regulation (EC) No 1907/2006)

▪ Available Model

DS-2CD2D25G1/M-D/NF (2.8/4 mm)

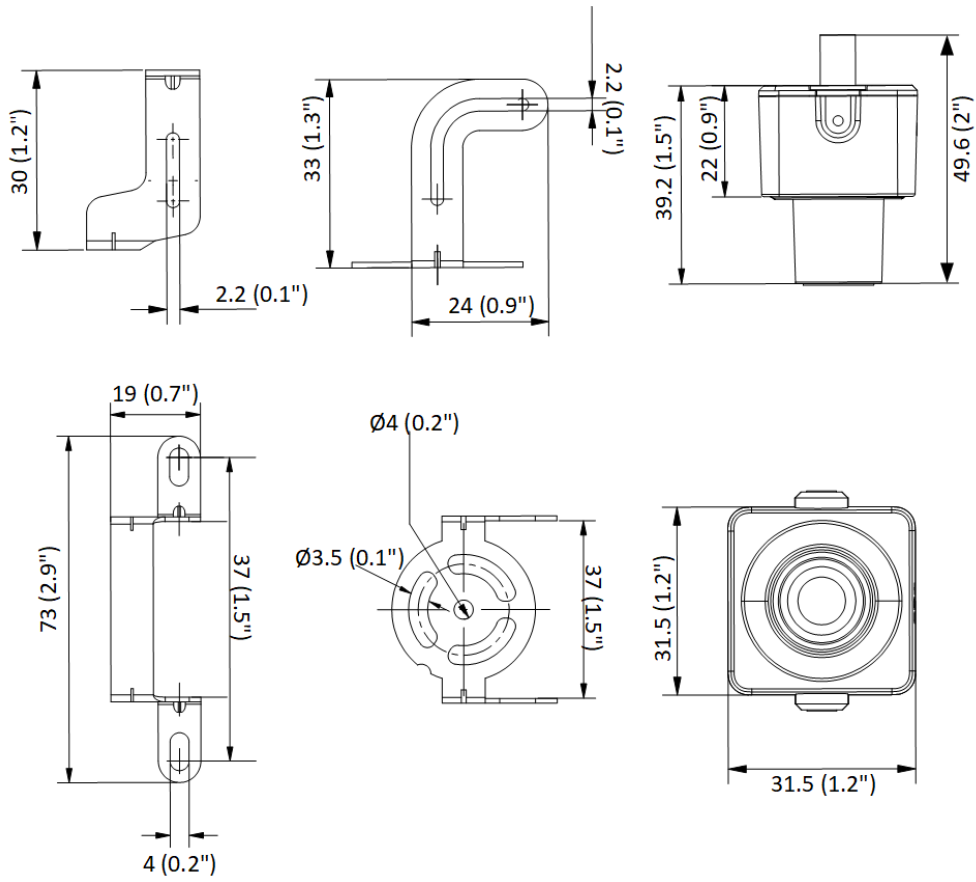
▪ Typical Application

Hikvision products are classified into three levels according to their anti-corrosion performance. Refer to the following description to choose for your using environment.

This model has NO SPECIFIC PROTECTION.

Level	Description
Top-level protection	Hikvision products at this level are equipped for use in areas where professional anti-corrosion protection is a must. Typical application scenarios include coastlines, docks, chemical plants, and more.
Moderate protection	Hikvision products at this level are equipped for use in areas with moderate anti-corrosion demands. Typical application scenarios include coastal areas about 2 kilometers (1.24 miles) away from coastlines, as well as areas affected by acid rain.
No specific protection	Hikvision products at this level are equipped for use in areas where no specific anti-corrosion protection is needed.

Dimension



Unit: mm (inch)

