

# DH-IPC-HUM4431S-L5

## 4MP Fixed-focal Pinhole Network Camera



### Series Overview

Dahua Pinhole series network camera includes one-in-all camera and separated camera. Separated camera can work with different lens to meet the requirements in different installation scenes. Pinhole Series camera is widely applied in hidden or small scenes such as banks and advertising screen.

### Functions

#### Smart H.265+ & Smart H.264+

With advanced scene-adaptive rate control algorithm, Dahua smart encoding technology realizes the higher encoding efficiency than H.265 and H.264, provides high-quality video, and reduces the cost of storage and transmission.

#### IVS

With advanced video algorithm, Dahua IVS technology supports intelligent functions, such as tripwire and intrusion.

#### WDR

With advanced Wide Dynamic Range (WDR) technology, Dahua network camera provides clear details in the environment of strong brightness contrast. The bright and dark area can get clear video even in high brightness environment or with backlight shadow.

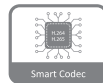
#### Starlight

With advanced image processing technology and optical technology, Dahua Starlight technology can provide clear colorful video in the environment of low illuminance. It widely applies to various environments of low illuminance.

#### Protection (Wide Voltage)

Wide voltage: The camera allows  $\pm 30\%$  input voltage tolerance (wide voltage range), and it is widely applied to outdoor environment with instable voltage.

- 4-MP 1/3" CMOS image sensor, low luminance, and high definition image.
- Outputs max. 4 MP (2688 × 1520) @20 fps, and supports 3.6 MP (2560 × 1440) @25/30 fps.
- H.265 codec, high compression rate, ultra-low bit rate.
- ROI, SMART H.264 +/H.265+, flexible coding, applicable to various bandwidth and storage environments.
- Rotation mode, WDR, 3D NR, HLC, BLC, digital watermarking, applicable to various monitoring scenes.
- Intelligent monitoring: Intrusion and tripwire.
- Abnormality detection: Motion detection, video tampering, scene changing, audio detection, network disconnection, IP conflict, illegal access, and voltage detection.
- Audio: 1 in, 1 out; built in MIC.
- 12 VDC power supply.



### Cyber Security

Dahua network cameras employ a series of security technologies, including security authentication and authorization, access control protocols, trusted protection, encrypted transmission and encrypted storage. These technologies improve the camera's defense against external cyber threats and prevent malicious programs from comprising the device.

## Technical Specification

### Camera

Image Sensor	1/3" CMOS
Max. Resolution	2688 (H) × 1520 (V)
ROM	128 MB
RAM	128 MB
Scanning System	Progressive
Electronic Shutter Speed	Auto/Manual 1/3 s–1/100,000 s
Min. Illumination	0.01 lux@F1.6 (Color, 30 IRE) 0.001 lux@F1.6 (B/W, 30 IRE)
S/N Ratio	>56 dB

### Lens

Lens Type	Fixed-focal				
Lens Mount	M12				
Focal Length	2.8 mm; 3.6 mm				
Max. Aperture	F1.6				
Field of View	L5-2.8 mm: Horizontal: 95°; Vertical: 52°; Diagonal: 114° L5-3.6 mm: Horizontal: 78°; Vertical: 41°; Diagonal: 94°				
Iris Control	Fixed				
Close Focus Distance	L5-2.8 mm: 1.1 m (3.61 ft) L5-3.6 mm: 1.7 m (5.58 ft)				
DORI Distance	Lens	Detect	Observe	Recognize	Identify
	2.8 mm	63.6 m (208.66 ft)	25.4 m (83.33 ft)	12.7 m (41.67 ft)	6.4 m (23.00 ft)
	3.6 mm	85.4 m (280.18 ft)	34.2 m (112.20 ft)	17.1 m (56.10 ft)	8.5 m (27.89 ft)

### Smart Event

IVS	Intrusion; tripwire
-----	---------------------

### Video

Video Compression	H.265; H.264; H.264B; MJPEG (Only supported by the sub stream)
Smart Codec	Smart H.265+; Smart H.264+
Video Frame Rate	Main stream: 2688 × 1520 @(1–20 fps)/2560 × 1440 @(1–25/30 fps) sub stream: 704 × 576 @(1–25 fps)/704 × 480 @(1–30 fps) *The values above are the max. frame rates of each stream; for multiple streams, the values will be subjected to the total encoding capacity.
Stream Capability	2 streams
Resolution	4M (2688 × 1520); 3.6 M (2560 × 1440); 3M (2304 × 1296); 1080p (1920 × 1080); 1.3M (1920 × 960); 720p (1280 × 720); D1 (704 × 576/704 × 480); VGA (640 × 480); CIF(352 × 288/352 × 240)
Bit Rate Control	CBR/VBR
Video Bit Rate	H.264: 3 kbps–6144 kbps H.265: 3 kbps–6144 kbps
Day/Night	Color/B/W

BLC	Yes
HLC	Yes
WDR	120 dB
White Balance	Auto; natural; street lamp; outdoor; manual; regional custom
Gain Control	Auto; manual
Noise Reduction	3D NR
Motion Detection	OFF/ON (4 areas, rectangular)
Region of Interest (RoI)	Yes (4 areas)
Image Rotation	0°/90°/180°/270° (Support 90°/270° with 2688 × 1520 resolution and lower)
Mirror	Yes
Privacy Masking	4 areas

### Audio

Built-in MIC	Yes
Audio Compression	G.711a; G.711Mu; PCM; G.726

### Alarm

Alarm Event	Network disconnection; IP conflict; illegal access; motion detection; video tampering; tripwire; intrusion; audio detection; voltage detection; security exception
-------------	--------------------------------------------------------------------------------------------------------------------------------------------------------------------

### Network

Network Port	RJ-45 (10/100 Base-T)
SDK and API	Yes
Cyber Security	Video encryption; Firmware encryption; Configuration encryption; Digest; WSSE; Account lockout; Security logs; IP/MAC filtering; Generation and importing of X.509 certification; syslog; HTTPS; 802.1x; Trusted boot; Trusted execution; Trusted upgrade
Network Protocol	IPv4; IPv6; HTTP; TCP; UDP; ARP; RTP; RTSP; RTCP; RTMP; SMTP; FTP; SFTP; DHCP; DNS; DDNS; QoS; UPnP; NTP; Multicast; ICMP; IGMP; NFS; PPPoE; Bonjour
Interoperability	ONVIF (Profile S/Profile T); CGI; P2P; Milestone
User/Host	20 (Total bandwidth: 48 M)
Storage	FTP; SFTP; NAS
Browser	IE Chrome Firefox
Management Software	Smart PSS; DSS; DMSS
Mobile Client	iOS; Android

### Certification

Certifications	CE-LVD:EN62368-1; CE-EMC:Electromagnetic Compatibility Directive 2014/30/EU; FCC:47 CFR FCC Part 15, Subpart B
----------------	----------------------------------------------------------------------------------------------------------------------

### Port

Audio Input	1 channel (RCA port)
Audio Output	1 channel (RCA port)

## Power

Power Supply	12 VDC
Power Consumption	Basic: 1.4 W (12 VDC) Max. (H.265 + intelligence on + WDR): 1.8 W (12 VDC)

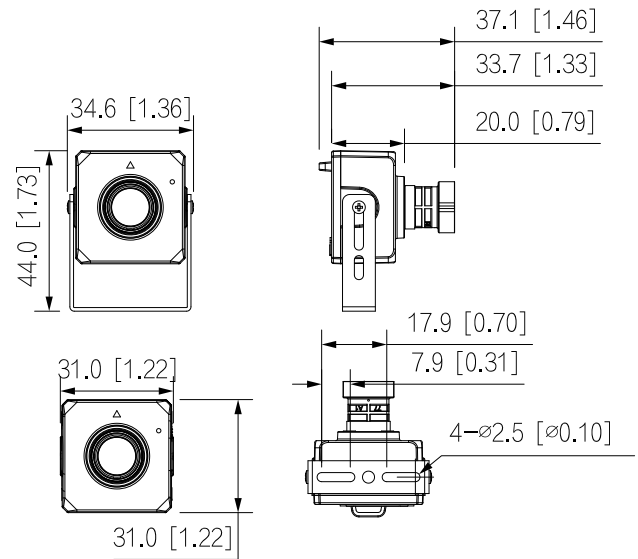
## Environment

Operating Temperature	-40 °C to +60 °C (-40 °F to +140 °F)
Operating Humidity	≤95%
Storage Temperature	-40 °C to +60 °C (-40 °F to +140 °F)

## Structure

Casing	Metal
Product Dimensions	31.0 mm × 31.0 mm × 37.1 mm (1.22" × 1.22" × 1.46") (L × W × H)
Net Weight	81 g (0.18 lb)
Gross Weight	138 g (0.30 lb)

## Dimensions (mm[inch])



## Ordering Information

Type	Model	Description
4MP Camera	DH-IPC-HUM4431S-L5	4MP Fixed-focal Pinhole Network Camera
Accessories	PFM321D	DC12V1A Power Adapter

## Accessories

Optional:



DC12V1A  
Power  
Adapter

