

DS-2CE72KF3T

3K ColorVu Fixed Turret Camera



- High quality imaging with 3K, 2960 × 1665 resolution
- Excellent low-light performance
- Clear imaging against strong back light due to 130 dB true WDR technology
- 3D DNR technology delivers clean and sharp images
- 2.8 mm, 3.6 mm fixed focal lens
- Up to 40 m white light distance for bright night imaging
- Water and dust resistant (IP67)
- 24/7 color imaging with F1.0 aperture

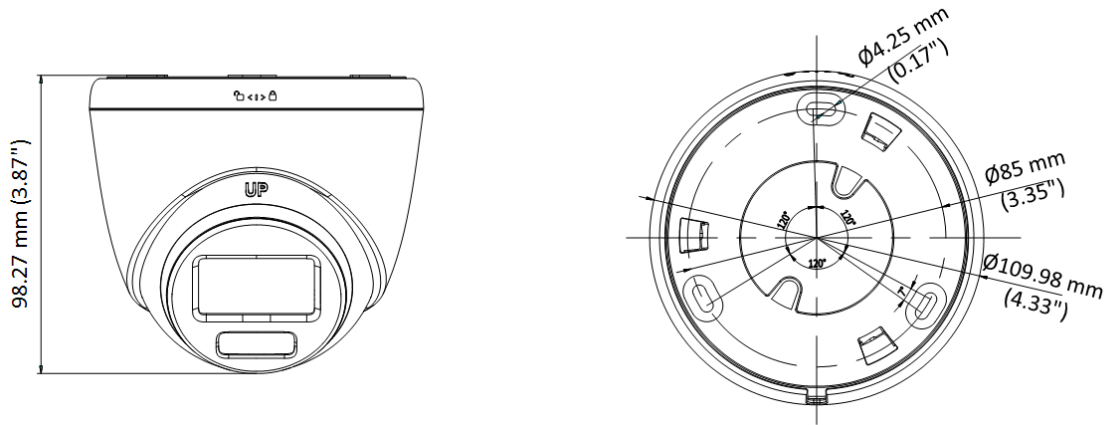
▪ Specification

| Camera | |
|--------------------------|---|
| Image Sensor | 1/1.8" 3K CMOS |
| Signal System | PAL/NTSC |
| Max. Resolution | 2960 (H) × 1665 (V) |
| Min. Illumination | 0.0003 Lux @ (F1.0, AGC ON), 0 Lux with white light |
| Shutter Time | PAL: 1/25 s to 1/50,000 s; NTSC: 1/30 s to 1/50,000 s |
| Light Alarm | Solid Light Alarm (White Light) |
| Angle Adjustment | Pan: 0° to 360°, Tilt: 0° to 75°, Rotation: 0° to 360° |
| Lens | |
| Lens Type | 2.8 mm, 3.6 mm fixed focal lens |
| Focal Length & FOV | 2.8 mm, horizontal FOV: 112°, vertical FOV: 60°, diagonal FOV: 133° 3.6 mm, horizontal FOV: 95°, vertical FOV: 50°, diagonal FOV: 115° |
| Lens Mount | M16 |
| Image | |
| Frame Rate | 3K@20fps, 4MP@25fps/30fps, 1080p@25fps/30fps |
| Wide Dynamic Range (WDR) | ≥130 dB |
| White Light | Auto/Off |
| Image Parameters Switch | STD/HIGH-SAT/HIGHLIGHT |
| AGC | Yes |
| Day/Night Mode | Color |
| White Balance | Auto/Outdoor/Global/Manual |
| Image Enhancement | WDR,BLC,HLC,Global,HLS |
| Privacy Mask | 4 programmable privacy masks |
| Noise Reduction | 3D DNR/2D DNR |
| Image Settings | Brightness,Contrast,Mirror,Smart Light,Anti-Banding |
| Interface | |
| Video Output | 1 HD analog output |
| Event | |
| Motion Detection | 4 programmable motion areas |
| General | |
| Language | English |
| Operating Condition | -40°C to 50°C (-40°F to 122°F), Humidity: 90% or less (non-condensing) |
| Power Supply | 12 VDC ± 25% <i>*You are recommended to use one power adapter for one camera, and use 2-pin power supply for long-distance power supply.</i> |
| Consumption | Max. 5.3 W |
| Material | Main body: Metal, Enclosure: Plastic |
| White Light Range | Up to 40 m |
| Communication | HIKVISION-C |
| Dimension | Φ 109.98 mm × 98.27 mm (Φ 4.33" × 3.87") |
| Weight | Approx. 350 g (0.77 lb.) |
| Approval | |
| Protection | IP67 |

▪ **Available Model**


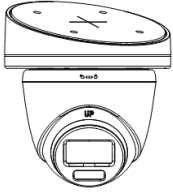
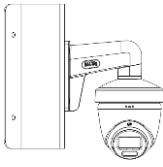

DS-2CE72KF3T

▪ **Dimension**



▪ **Accessory**

▪ **Optional**

| <p>DS-1281ZJ-S Inclined ceiling mount</p> | <p>DS-1280ZJ-S Junction box</p> | <p>DS-1276ZJ-SUS Corner mount</p> | <p>DS-1272ZJ-110-TRS Wall mount</p> | <p>DS-1275ZJ-SUS Vertical pole mount</p> |
|---|---|---|---|---|
|  |  |  |  |  |
|  |  |  |  |  |

