

DH-IPC-HFW1430DT-STW

4 MP IR Fixed-focal WiFi Bullet Network Camera



System Overview

Driven by industry-leading technology, Dahua Wi-Fi series network cameras are highly precise and easy to install, producing high-quality images. They have strong Wi-Fi connection capabilities and do not require network cables, eliminating the need for a professional construction team. This series of cost-effective cameras support SD card storage, and are dustproof and waterproof. They are ideal for small and medium-sized scenes such as retail stores, homes, and other small and medium-sized enterprises.

Functions

Smart H.265+ & Smart H.264+

With advanced scene-adaptive rate control algorithm, Dahua smart encoding technology realizes the higher encoding efficiency than H.265 and H.264, provides high-quality video, and reduces the cost of storage and transmission.

Two-way Audio

With its built-in high-sensitivity microphone and high-power speaker, the camera realizes two-way audio through the mobile app.

Dual-antenna

High-performance dual antenna and MIMO (multiple-input and multiple output) technology of the network camera make the WiFi transmission distance farther, anti-interference performance better, and video transmission smoother.

Motion Detection

When moving objects appear in the monitoring image, Dahua Motion Detection technology triggers alarm or records.

Day/Night

Dahua Day/Night function provides color image when illumination is adequate; when illumination is inadequate, it switches night mode and provides white and black image. It can guarantee that the network camera can work normally when illumination changes.

- 4-MP 1/3" CMOS image sensor, low luminance, and high definition image.
- Outputs max. 4 MP (2560 × 1440) @20 fps, and max.supports 3 MP (2304 × 1296) @25/30 fps.
- H.265 codec, high compression rate, ultra-low bit rate.
- Built-in IR LED, and the max. illumination distance is 30 m.
- SMART H.264 +/H.265+, flexible coding, applicable to various bandwidth and storage environments.
- DWDR, 3D NR, BLC, digital watermarking, applicable to various monitoring scenes.
- Abnormality detection: Motion detection, video tampering, audio detection, no SD card, SD card full, SD card error, network disconnection, IP conflict, illegal access.
- Built-in dual-antenna 2.4G Wi-Fi that covers a range of up to 150 m in an open area.
- Supports max.256 G Micro SD card. Built-in MIC and speaker.
- 12 VDC power supply.
- IP67 protection.



Cyber Security

Dahua network cameras employ a series of security technologies, including security authentication and authorization, access control protocols, trusted protection, encrypted transmission and encrypted storage. These technologies improve the camera's defense against external cyber threats and prevent malicious programs from compromising the device.

Technical Specification

Camera

Image Sensor	1/3" CMOS
Max. Resolution	2560 × 1440
ROM	16 MB
RAM	64 MB
Scanning System	Progressive
Electronic Shutter Speed	Auto/Manual 1/3 s~1/100,000 s
Min. Illumination	0.03 Lux@F2.0 (Color, 30 IRE) 0.003 Lux@F2.0 (B/W, 30 IRE) 0 lux (Illuminator on)
S/N Ratio	> 56 dB
Illumination Distance	30 m (98.43 ft)
Illuminator On/Off Control	Auto; Manual

Wi-Fi Series | DH-IPC-HFW1430DT-STW

Illuminator Number	1 (IR LED)
Pan/Tilt/Rotation Range	Pan: 0°–360° Tilt: 0°–90° Rotation: 0°–360°

Lens

Lens Type	Fixed-focal				
Lens Mount	M12				
Focal Length	2.8 mm; 3.6 mm				
Max. Aperture	F2.0				
Field of View	2.8 mm: Horizontal: 90°; Vertical: 50°; Diagonal: 107° 3.6 mm: Horizontal: 76°; Vertical: 40°; Diagonal: 92°				
Iris Control	Fixed				
Close Focus Distance	2.8 mm: 1.0 m (3.28 ft) 3.6 mm: 1.4 m (4.59 ft)				
DORI Distance	Lens	Detect	Observe	Recognize	Identify
	2.8mm	68.0 m (223.10 ft)	27.2 m (89.24 ft)	13.6 m (44.62 ft)	6.8 m (22.31 ft)
	3.6mm	85.2 m (279.53 ft)	34.1 m (111.88 ft)	17.0 m (55.77 ft)	8.5 m (27.89 ft)

Video

Video Compression	H.264B; H.264; H.264H; H.265
Smart Codec	Smart H.265+; Smart H.264+
Video Frame Rate	Main stream: 2560 × 1440 (1–20 fps) Sub stream: 640 × 480@(1–25 fps) 640 × 480@(1–30 fps) *The values above are the max. frame rates of each stream; for multiple streams, the values will be subjected to the total encoding capacity.
Stream Capability	2 streams
Resolution	2560 × 1440 (2560 × 1440); 2304 × 1296 (2304 × 1296); 1080p (1920 × 1080); 1.3M (1280 × 960); 720p (1280 × 720)
Bit Rate Control	CBR/VBR
Video Bit Rate	H264: 24 kbps–4096 kbps H265: 9 kbps–4096 kbps
Day/Night	Auto (ICR)/Color/B/W
BLC	Yes
WDR	DWDR
White Balance	Auto; natural; street lamp; outdoor; manual; regional custom
Gain Control	Auto
Noise Reduction	3D NR
Motion Detection	OFF/ON (4 areas, rectangular)
Smart Illumination	Yes
Image Rotation	0°/180°
Mirror	Yes

Audio

Built-in MIC	Yes
--------------	-----

Built-in Speaker	Yes
Audio Compression	G.711a; G.711Mu

Alarm

Alarm Event	No SD card; SD card full; SD card error; network disconnection; IP conflict; illegal access; motion detection; video tampering; audio detection; intensity change; SMD (human)
-------------	--

Network

Network Port	RJ-45 (10/100 Base-T)
Wi-Fi	IEEE802.11b/g/n 2.4–2.4835 GHz; 2.4 G
Wireless Range	Up to 150 m (The performance varies based on actual environment)
SDK and API	Yes
Cyber Security	Video encryption; configuration encryption; Digest; WSSE; account lockout; security logs; generation and importing of X.509 certification; HTTPS; trusted boot; trusted execution; trusted upgrade
Network Protocol	IPv4; HTTP; TCP; UDP; ARP; RTP; RTSP; RTCP; DHCP; DNS; NTP; Multicast; RTMP
Interoperability	ONVIF (Profile S/Profile T); CGI; P2P
User/Host	6 (Total bandwidth: 36 M)
Storage	Micro SD card (support max. 256 GB)
Browser	IE Chrome Firefox
Management Software	Smart PSS; DSS; DMSS
Mobile Client	iOS; Android

Certification

Certifications	CE-LVD: EN62368-1; CE-EMC: Electromagnetic Compatibility Directive 2014/30/EU; CE-RED: Radio Equipment Directive 2014/53/EU; FCC: 47 CFR FCC Part 15, Subpart B; FCC ID: FCC PART 15C
----------------	---

Power

Power Supply	12 VDC
Power Consumption	Basic: 2.1 W (12 VDC) Max. (H.265+IR intensity):6.1 W (12 VDC)

Environment

Operating Temperature	–30 °C to +50 °C (–22 °F to +122 °F)
Operating Humidity	≤ 95%
Storage Temperature	–40 °C to +60 °C (–40 °F to +140 °F)
Protection	IP67

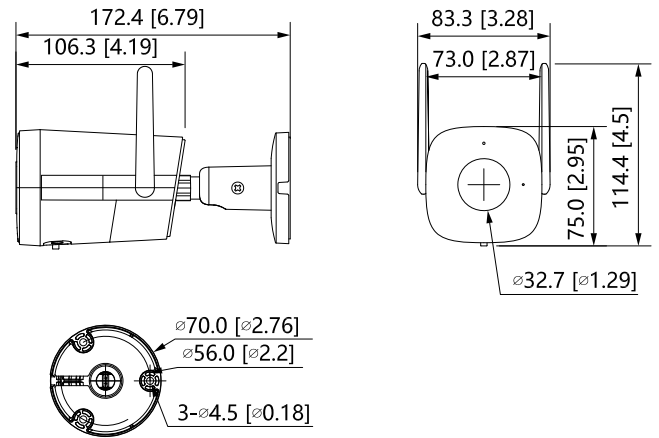
Structure

Casing	Front cover: Plastic Rear: Plastic Bracket: Metal
Product Dimensions	180 mm × 83.3 mm × 114.8 mm (7.09" × 3.28" × 4.52")
Net Weight	350.1 g (0.77 lb)
Gross Weight	588.1 g (1.30 lb)

Ordering Information

Type	Model	Description
4 MP Camera	DH-IPC-HFW1430DTP-STW-0280B	4 MP IR Fixed-focal WiFi Bullet Network Camera, PAL, 2.8 mm
	DH-IPC-HFW1430DTN-STW-0280B	4 MP IR Fixed-focal WiFi Bullet Network Camera, NTSC, 2.8 mm
	DH-IPC-HFW1430DTP-STW-0360B	4 MP IR Fixed-focal WiFi Bullet Network Camera, PAL, 3.6 mm
	DH-IPC-HFW1430DTN-STW-0360B	4 MP IR Fixed-focal WiFi Bullet Network Camera, NTSC, 3.6 mm
Accessories	ADS-12AM-12 12012EPG	12V DC/1A Power Adapter
	PFA134	Junction Box
	PFA152-E	Pole Mount
	PFM900-E	Integrated Mount Tester
	TF-P100	MicroSD Memory Card

Dimensions (mm[inch])



Accessories

Included:



ADS-12AM-12 12012EPG
12 V DC/1A
Power Adapter

Optional:



PFA134
Junction
Box



PFA152-E
Pole
Mount



PFM900-E
Integrated
Mount Tester



TF-P100
MicroSD
Memory Card

Ceiling Mount	Junction Mount	Pole Mount (Vertical)