

DH-PFA140A

Corrosion-proof Power Box



Features

- Material: Aluminum & SECC
- IP66, corrosion-proof power box
- Aesthetic design

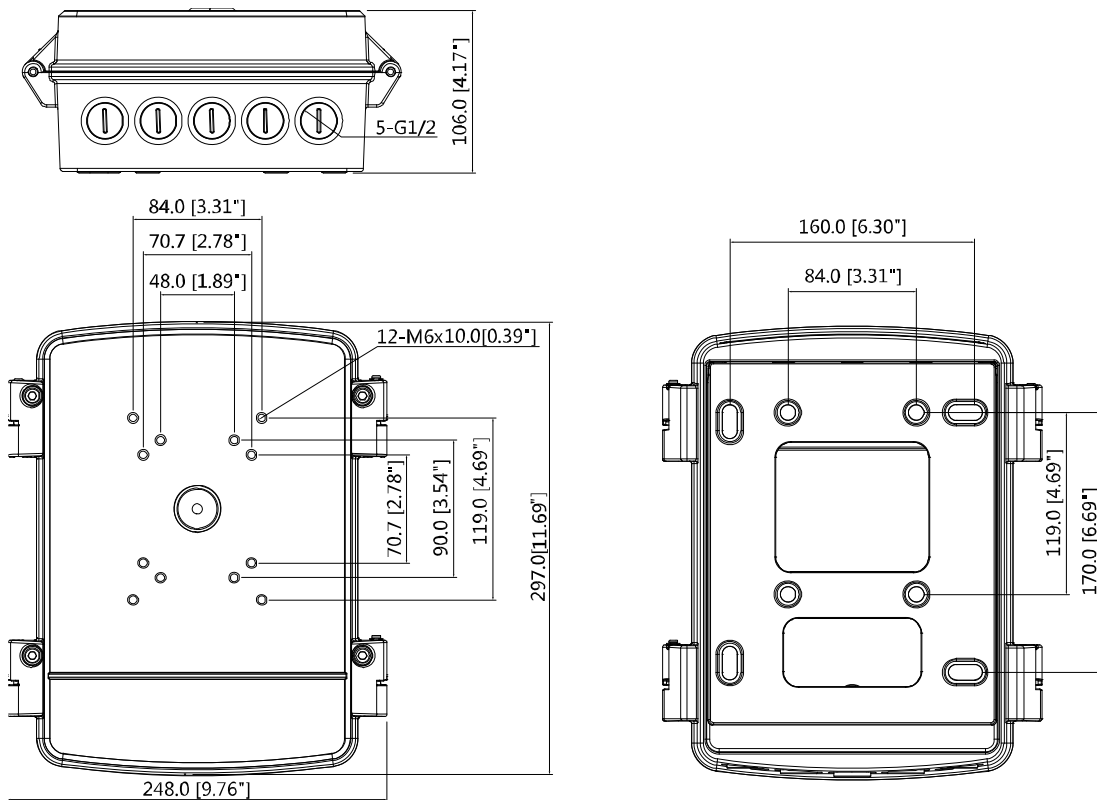
Technical Specifications

Model	DH-PFA140A
General	
Material	Aluminum & SECC
Dimension	297.0mm x 248.0mm x 106.0mm (11.69" x 9.76" x 4.17")
Inch Thread	M20(G1/2")
Load Bearing	8.0kg(17.64lb)
Weight	3.2kg(7.05lb)
Color	White
Operating Temperature	-40°C~+60°C(-40°F ~+140°F)
Humidity	0~90% RH
Applicable Model	Please see "Accessory Selection"

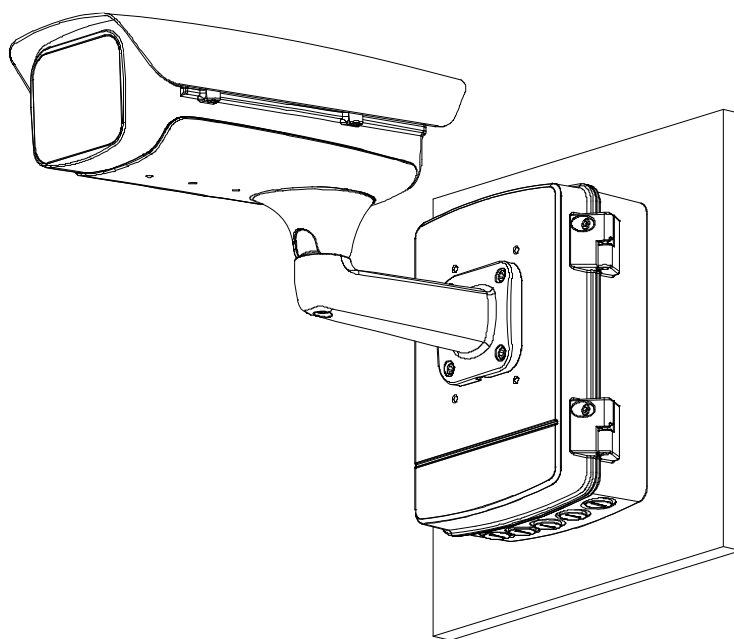
Order Information

Type	Part Number	Description
Camera mount	DH-PFB604WA	Housing corrosion-proof wall mount bracket
	PFB604WA	Housing corrosion-proof wall mount bracket
	DH-PFA140A	Corrosion-proof power box
	PFA140A	Corrosion-proof power box

Dimensions (mm/inch)



Application



Package Information

- Corrosion-proof power box *1
- M6x25 screw *4
- M6x14 screw *4
- M8 plastic anchor *4
- Wrench *1
- Water joint *3
- User manual *1