

DS-2CE76D0T-ITMFS 2 MP Audio Camera



- 2 MP, 1920 × 1080 resolution
- 2.8 mm, 3.6 mm, 6 mm fixed focal lens
- Smart IR, up to 30 m IR distance
- Audio over coaxial cable, built-in mic
- 4 in 1 video output (switchable TVI/AHD/CVI/CVBS)
- IP67

Specification

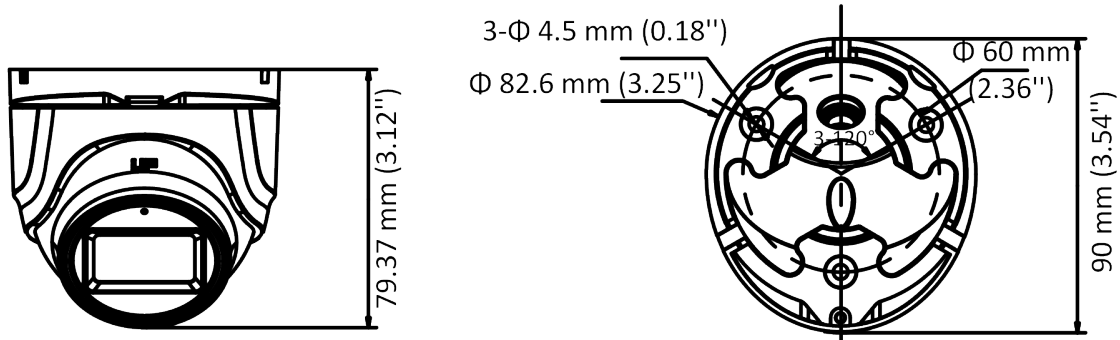
| Camera | |
|--------------------------|---|
| Image Sensor | 2 MP CMOS |
| Signal System | PAL/NTSC |
| Resolution | 1920 (H) × 1080 (V) |
| Frame Rate | TVI: 1080P@30fps, 1080P@25fps AHD: 1080P@30fps, 1080P@25fps CVI: 1080P@30fps, 1080P@25fps CVBS: PAL/NTSC |
| Min. illumination | 0.01 Lux@(F1.2, AGC ON), 0 Lux with IR |
| Shutter Time | PAL: 1/25 s to 1/50, 000 s NTSC: 1/30 s to 1/50, 000 s |
| Lens | 2.8 mm, 3.6 mm, 6 mm fixed lens |
| Field of View | 2.8 mm, horizontal FOV: 106.4°, vertical FOV: 57.9°, diagonal FOV: 124.6° 3.6 mm, horizontal FOV: 79.6°, vertical FOV: 43.5°, diagonal FOV: 93.7° 6 mm, horizontal FOV: 51.9°, vertical FOV: 30°, diagonal FOV: 58.8° |
| Lens Mount | M12 |
| Day & Night | ICR |
| WDR (Wide Dynamic Range) | Digital WDR |
| Audio | Built-in mic |
| Angle Adjustment | Pan: 0 to 360°, Tilt: 0 to 75°, Rotation: 0 to 360° |
| Menu | |
| Image Mode | STD/HIGH-SAT |
| AGC | Yes |
| Day/Night Mode | Auto/Color/BW (Black and White) |
| White Balance | Auto/Manual |
| AE (Auto Exposure) Mode | DWDR/BLC/HLC/Global |
| Noise Reduction | 2D DNR |
| Language | English |
| Function | Brightness, Sharpness, Mirror, Smart IR |
| Interface | |
| Video Output | Switchable TVI/AHD/CVI/CVBS |
| General | |
| Operating Conditions | -40 °C to 60 °C (-40 °F to 140 °F), humidity 90% or less (non-condensing) |
| Power Supply | 12 VDC ± 25% |
| Power Consumption | Max. 3.7 W |
| Protection Level | IP67 |
| Material | Metal |
| IR Range | Up to 30 m |

| General | |
|---------------|--|
| Communication | HIKVISION-C |
| Dimensions | 82.6 mm × 90 mm × 79.37 mm (3.25" × 3.54" × 3.12") |
| Weight | Approx. 289.5 g (0.64 lb.) |

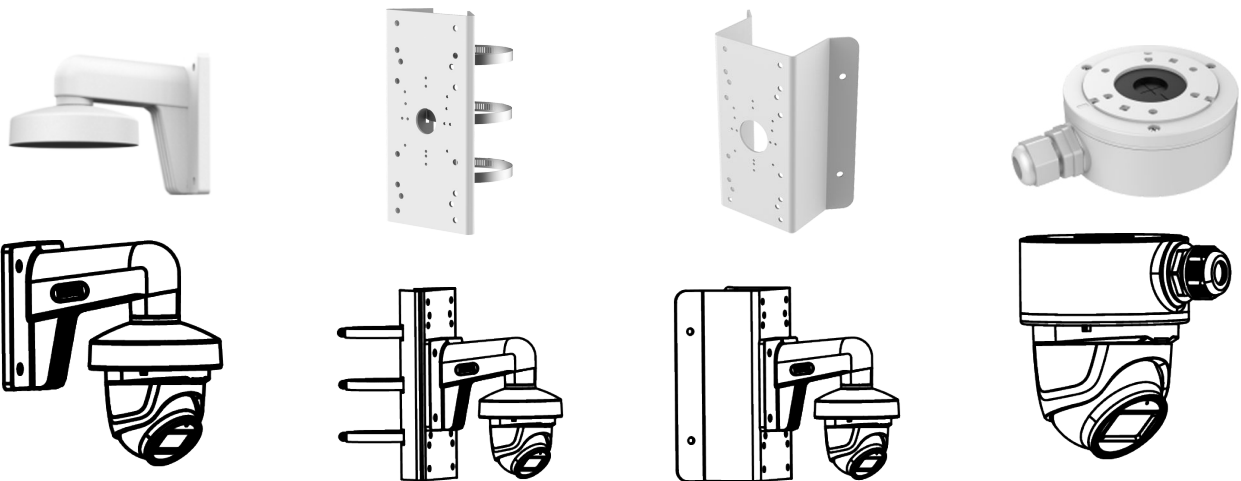
Available Model

DS-2CE76D0T-ITMFS

Dimension



Accessory



DS-1272ZJ-110-TRS
Wall Mount

DS-1275ZJ-SUS
Vertical Pole Mount

DS-1276ZJ-SUS
Corner Mount

DS-1280ZJ-XS
Junction Box