

## DS-3WF0AC-2NT

### Elevator Wireless Bridge

DS-3WF0AC-2NT wireless bridge can be applied to elevator internal CCTV system. It can transfer CCTV data through wireless signal instead of cable, which can reduce the cost.

### Feature and Function

- Up to 100 m wireless transmission distance
- Special design for CCTV scenario with smooth video transmission
- Easy configuration through web interface
- Dual power supply mode options makes installation more flexible
- Signal indicator helps to find the best installation position and direction
- 300 Mbps 802.11n wireless
- Built-in 8 dBi 2 × 2 MIMO Antenna
- Ideal solution for elevator connection

### Package Content

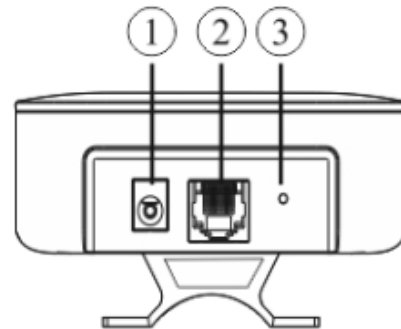
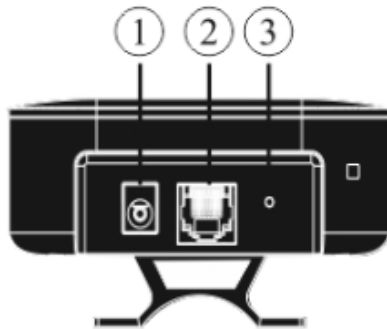
- DS-3WF0AC-2NT
- Power Adapter (12V, 1A)
- PoE Injector
- Pole Mounting Straps
- Quick Start Guide

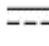
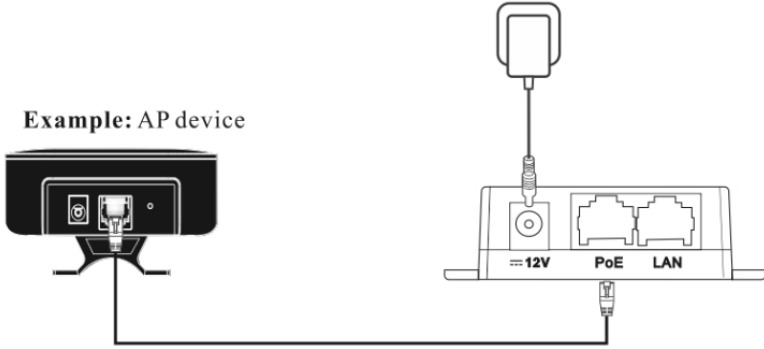
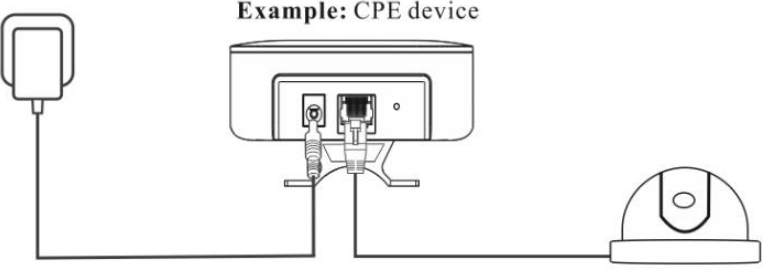


## Specification

Model	DS-3WF0AC-2NT
<b>Wireless</b>	
Standard	IEEE 802.11 b/g/n
Operating frequency	2412~2472 MHz (Note: Available channel may vary depending on local regulations)
Antenna	Internal, Gain 8 dBi, Horizontal: 60° Vertical: 30°
Output Power	20 dBm (Note: Maximum output power may vary in different channels depending on local regulations)
Receive sensitivity	-92 ± 1.5 dBm@1 Mbps, -72 ± 1.5 dBm@ MSC7
Wireless Link Rate	300 Mbps
Maximum power consumption	2.8 W
Installation	Pole
<b>Hardware</b>	
Power supply	12 V/1 A passive PoE or 12 V/1 A DC
Passive PoE power supply distance	Up to 60 meters with Cat.5e or better
Interface	10/100 M Base-TX × 1
Operating Temperature	-30°C ~ 55°C (-22°F ~131°F)
Storage Temperature	-30°C ~ 70°C (-22°F ~158°F)
Operating Humidity	10% - 90% RH (non-condensing)
Dimension	193.5mm × 80mm × 67.5mm
LED Indicator	1 × Power LED, 1 × LAN port LED, 3 × Signal strength LEDs(LED1, LED2, LED3)
Net Weight	0.69 kg
Gross Weight	0.77 kg
<b>Software</b>	
Encryption	WPA-PSK/WPA2-PSK
Security	IP/MAC filter, SSID hidden
Network protocol	TCP/UDP/ARP/ICMP/HTTP/NTP
Management and Logs	NTP, Syslog, SNMP
Configuration Management	Support web configuration, Support SNMP management
Firmware update	Support update firmware by Web page
Bandwidth	20 M/40 MHz

## Physical Interface

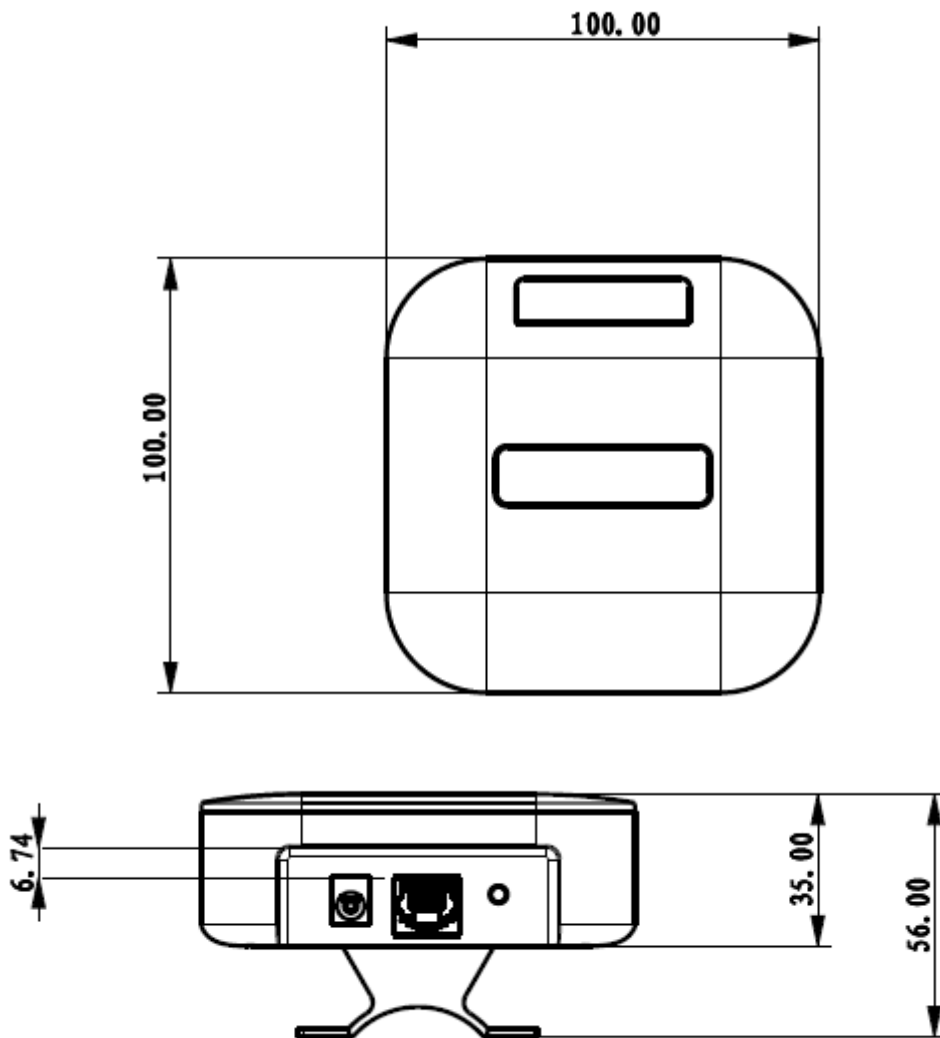


SN	Port/Button	Description
①	 12V	<p>Power jack.</p> <p>Use the included power adapter to connect this jack to a power source for power supply.</p>
②	POE/LAN	<p>This port is used to supply power over the Ethernet cable and transmit data.</p> <ul style="list-style-type: none"> <li>To supply power to the device over the Ethernet cable, connect this port to the <b>PoE</b> port of the included PoE injector.</li> </ul> <div style="text-align: center;"> <p><b>Example: AP device</b></p>  </div> <ul style="list-style-type: none"> <li>When the device is powered on using the included DC power adapter, you can connect this port to an Ethernet device for data transmission.</li> </ul> <div style="text-align: center;"> <p><b>Example: CPE device</b></p>  </div>
③	Reset	<p>Reset Button. After the device is powered on for about 1 minute, hold down this button for about 8 seconds. When all the LED indicators on the device light up, the device is restored to factory settings.</p>

## Available Model

- DS-3WF0AC-2NT in pairs

## Dimension (unit: mm)



# Typical Application

Scenario 1

Scenario 2

