

DH-PFA109

Mount Adapter



- Aluminum alloy material
- Matched with particular cameras, beautiful and elegant designed



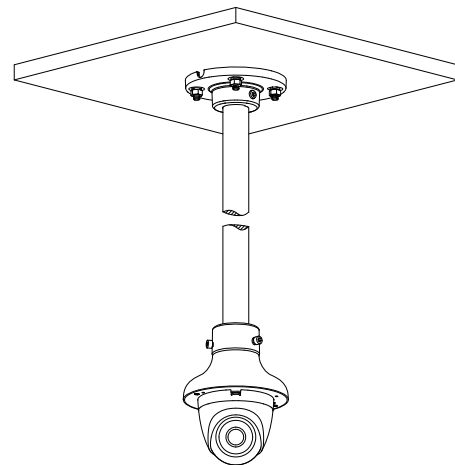
Scene

Suitable for camera mounting with operating temperature from -40°C to $+60^{\circ}\text{C}$ (-40°F to $+140^{\circ}\text{F}$) and relative humidity less than 90%.

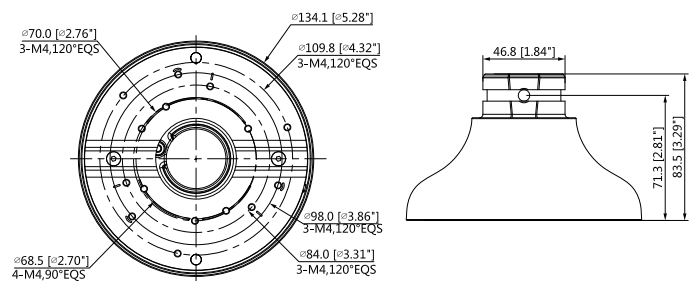
Technical Specification

Model	DH-PFA109
Material	Aluminum alloy
Dimensions	134.1 mm \times 134.1 mm \times 83.5 mm (5.28" \times 5.28" \times 3.29") (L \times W \times H)
Weight	0.3 kg (0.66 lb)
Load Bearing	1.0 kg (2.2 lb)
Operating Temperature	-40°C to $+60^{\circ}\text{C}$ (-40°F to $+140^{\circ}\text{F}$)
Operating Humidity	<90% (RH)
Color	White
Applicable Camera	Please see "Accessory Selection"

Installation



Dimensions (mm[inch])



Ordering Information

Type	Model	Description
Camera Mount	DH-PFA109	Mount Adapter