

DHI-VTH5422HB/DHI-VTH5422HW

2-wire IP Indoor Monitor



- 7" TFT capacitive touch screen
- 6-channel alarm input and 1-channel alarm output
- Supports standard PoE
- Supports H.265 and H.264 video coding
- Compatible with 2-wire interface & RJ45 interface
- Power over two-wire switch
- Call management center with one tap
- Supports daisy chain topology
- 2.5D screen glass



Introduction

Equipped with high-performance processor, the digital indoor monitor adopts 7" capacitive touch screen, 2.5D screen glass, and full-screen bezel-less design. It supports standard PoE, 2-wire digital communication, and power over two-wire switch, and has 6-channel alarm input and 1-channel alarm output.

Scene

The product is applicable to residential communities, apartments, villas, buildings, and other scenarios.

Technical Specification

System

Main Processor	Embedded processor
Operating System	Embedded Linux operating system
Interoperability	ONVIF
Network Protocol	SIP; IPv4; RTSP; RTP; TCP; UDP

Basic

Screen Type	Capacitive touch screen
Display	7" TFT
Screen Resolution	1024 × 600
Audio Compression	G.711a; G.711Mu; G.711u; PCM

Audio Input	1
Audio Output	Built-in speaker
Audio Mode	Two-way audio
Audio Enhancement	Echo suppression
Audio Bit Rate	16 KHz, 16Bit

Function

Communication Mode	Full digital 2-wire
Information Release	Receive and view text information released by the management center (After SD card is installed, picture information can be received and viewed.)
Leave Videos	Yes (insert an SD card into the indoor monitor)
DND Mode	DND period and DND mode can be set.
Number of Extension	Villa: 3; apartment: 3
Storage	Micro SD card (up to 64 GB)

Performance

Casing	PC + ABS
--------	----------

Port

RS-485	1
Alarm Input	6
Alarm Output	1

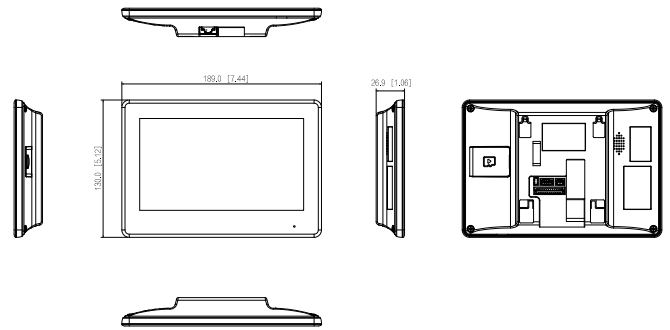
VTH5 Series | DHI-VTH5422HB/DHI-VTH5422HW

Power Output	1 (12V/100mA)
Door Bell	Yes (use any alarm input port)
Network	One two-wire port and one 10Mbps/100Mbps Ethernet port (one of them can be selected)

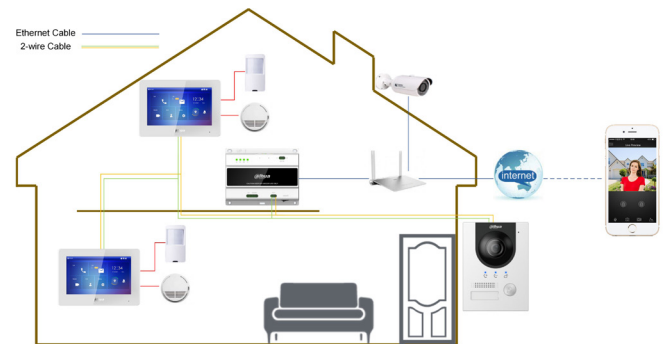
General

Color	Black or white
Power Supply	Two-wire switch (max power transmission distance: 50 m); Standard PoE
Power Adapter	Not included
Installation	Surface mount
Certifications	CE; FCC; UL
Accessory	Bracket and alarm ribbon cable (included)
Dimensions	189.0 mm × 130.0 mm × 26.9 mm (7.44" × 5.12" × 1.06")
Operating Temperature	-10°C to +55°C (+14°F to 131°F)
Operating Humidity	20% to 93% (non-condensing)
Operating Altitude	Beneath 3000 m (9842.52 ft)
Power Consumption	Standby ≤ 2W; working ≤ 6W
Net Weight	388 g (0.86 lb)
Gross Weight	741 g (1.63 lb)

Dimensions (mm[inch])



Application



Ordering Information

Type	Model	Description
Digital Indoor Monitor	DHI-VTH5422HB/ DHI-VTH5422HW	2-wire Digital Indoor Monitor

Installation

