

DS-2CE19DF8T-AZE

2 MP ColorVu PoC Motorized Varifocal Bullet

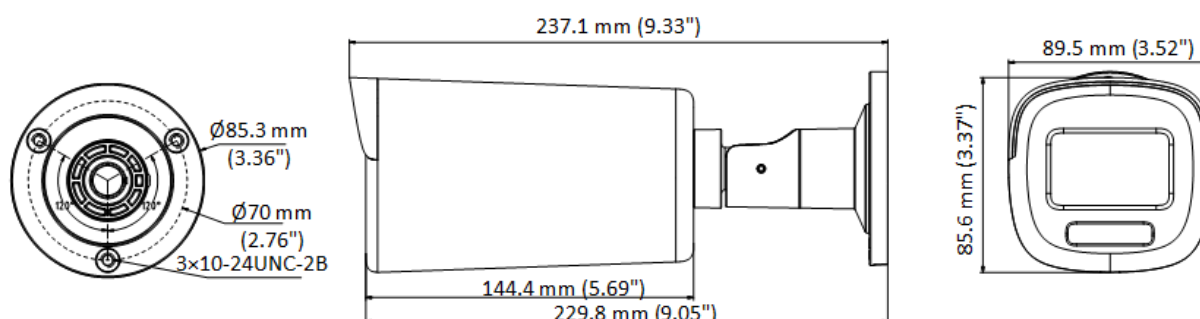


- High quality imaging with 2 MP, 1920 × 1080 resolution
- 24/7 color imaging
- Clear imaging against strong back light due to 130 dB true WDR technology
- 3D DNR technology delivers clean and sharp images
- 2.8 mm to 12 mm varifocal lens, auto focus
- Smart Light, up to 40 m white light distance
- Water and dust resistant (IP68)

▪ Specification




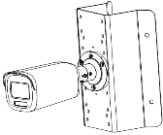
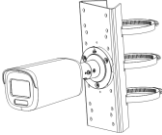
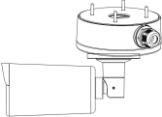
Specification	
Image Sensor	1/1.8" 2 MP CMOS
Signal System	PAL/NTSC
Resolution	1920 (H) × 1080 (V)
Frame Rate	TVI: 1080p @ 25 fps/30 fps
Min. Illumination	0.0003 Lux @ (F1.0, AGC ON), 0 Lux with white Light
Shutter Time	PAL: 1/25 s to 1/50,000 s; NTSC: 1/30 s to 1/50,000 s
Lens	2.8 mm to 12 mm motorized, auto focus
Field of View	horizontal FOV: 92.3° to 34.2°, vertical FOV: 48.4° to 19°, diagonal FOV: 112.2° to 39.2°
Lens Mount	Ø24
Day & Night	Color
WDR (Wide Dynamic Range)	≥130 dB
Angle Adjustment	Pan:0° to 360°, Tilt: 0° to 90°, Rotation: 0° to 360°
Menu	
White Light	Auto/Off
Image Mode	STD/HIGH-SAT/HIGHLIGHT
AGC	Yes
White Balance	Auto/Manual
AE (Auto Exposure) Mode	WDR, BLC, HLC, Global, HLS
Privacy Mask	4 programmable privacy masks
Motion Detection	4 programmable motion areas
Noise Reduction	3D DNR/2D DNR
Language	English
Function	Brightness, Mirror, Sharpness, Anti-Banding, Smart Light
Interface	
Video Output	1 HD analog output
General	
Operating Conditions	-40°C to 60°C (-40°F to 140°F), Humidity: 90% or less (non-condensing)
Power Supply	12 VDC/24 VAC±20%/PoC.at
Consumption	Max: 12.2 W
Protection Level	IP68
Material	Metal
White Light Range	Up to 40 m
Communication	HIKVISION-C
Dimension	89.5 mm × 85.6 mm × 237.1 mm (3.52" × 3.37" × 9.33")
Weight	Approx. 1020 g (2.25 lb.)

▪ Dimension



Accessory

▪ **Optional**

DS-1276ZJ-SUS Corner mount	DS-1275ZJ-SUS Vertical pole mount	DS-1280ZJ-S Junction box
		
		

▪ **Available Model**

DS-2CE19DF8T-AZE(2.8-12mm)