

# DH-SDZW2000T-SL

2MP Anti-corrosion IR Network Camera



- 1/2.8" 2Megapixel STARVIS™ CMOS
- Starlight technology
- H.265 Encoding
- Max. 50/60fps@1080P
- IVS
- IP68, IK10, NEMA 4X
- Material: 316L Stainless Steel



## System Overview

This anti-corrosion camera can be used for CCTV applications range from simple monitoring applications. It adopts high performance DSP and advanced image sensor, which can offer a high-performance and safe imaging solution. It offers IP68 rated for water/dust ingress and professional certifications, which enable to meet special requirements of video surveillance applications such as corrosive environment surveillance for chemical industry, ports, coastline and etc.

## Functions

### Starlight Technology

For challenging low-light applications, Dahua's Starlight Ultra-low Light Technology offers best-in-class light sensitivity, capturing color details in low light down to 0.005 lux. The camera uses a set of optical features to balance light throughout the scene, resulting in clear images in dark environments.

### Wide Dynamic Range

The camera achieves vivid images, even in the most intense contrast lighting conditions, using industry-leading wide dynamic range (WDR) technology. For applications with both bright and low lighting conditions that change quickly, True WDR (120 dB) optimizes both the bright and dark areas of a scene at the same time to provide usable video.

### High Efficiency Video Coding (H.265)

The H.265 (ITU-T VCEG) video compression standard offers double the data compression ratio at the same level of video quality, or substantially improved video quality at the same bit rate, as compared to older video compression technologies. H.265 offers such impressive compression by expanding the pattern comparison and difference-coding, improving motion vector prediction and motion region merging, and incorporating an additional filtering step called sample-adaptive offset filtering.

## Environmental

Dahua cameras operate in extreme temperature environments, rated for use in temperatures from -40 °C to +60 °C (-40 °F to +140 °F) with 95% humidity. The camera complies with the IK10 Vandal Resistance impact rating. Subjected to rigorous dust and water immersion tests and certified to the IP68 Ingress Protection rating makes it suitable for demanding outdoor applications.

## Protection

The camera allows for ±10% input voltage tolerance, suitable for the unstable conditions for outdoor applications. Its 6KV lightning rating provides effective protection for both the camera and its structure against lightning.

## Interoperability

The camera conforms to the ONVIF (Open Network Video Interface Forum) specifications, ensuring interoperability between network video products regardless of manufacturer.

## Technical Specification

### Camera

Image Sensor	1/2.8" STARVIS™ CMOS
Effective Pixels	1920(H) x 1080(V), 2 Megapixels
Scanning System	Progressive
Electronic Shutter Speed	1/3s~1/100,000s
Minimum Illumination	Color: 0.005Lux@F2.1; B/W: 0.0005Lux@F2.1; 0Lux@F2.1 (IR on)
S/N Ratio	More than 50dB
IR Distance	30m (98ft)
IR On/Off Control	Auto/Manual
IR LEDs	18

### Lens

Focal Length	3.6mm / 6mm
Max. Aperture	F2.1 / F2.0
Angle of View	3.6mm: H: 87°, V: 48° 6mm: H: 51°, V: 30°

### DORI Distance

\*Note: The DORI distance is a "general proximity" of distance which makes it easy to pinpoint the right camera for your needs. The DORI distance is calculated based on sensor specification and lab test result according to EN 62676-4 which defines the criteria for Detect, Observe, Recognize and Identify respectively.

Lens	Detect	Observe	Recognize	Identify
3.6mm	55m(180ft)	22m(72ft)	11m(36ft)	6m(20ft)
6mm	81m(266ft)	33m(108ft)	16m(52ft)	8m(26ft)

### Intelligence

Event Trigger	Motion detection, Video tampering, Network disconnection, IP address conflict, Illegal Access,
Auto Tracking	N/A
IVS	Tripwire, Intrusion, Abandoned/Missing

### Video

Compression	H.265+/H.265/H.264+/H.264
Streaming Capability	3 Streams
Resolution	1080P(1920×1080)/1.3M(1280×960)/720P(1280×720)/D1(704×576/704×480)/CIF(352×288/352×240)
Frame Rate	Main stream: 1080P/1.3M/720P(1 ~ 50/60fps)
	Sub stream1: D1/CIF(1 ~ 25/30fps)
	Sub stream2: 1080P/720P/D1(1~25/30fps)
Bit Rate Control	CBR/VBR
Bit Rate	H.265/H.264: 448K ~ 8192Kbps
Day/Night	Auto(ICR) / Color / B/W
Backlight Compensation	BLC / HLC / WDR (120dB)
White Balance	Auto, ATW, Indoor, Outdoor, Manual

Gain Control	Auto / Manual
Noise Reduction	Ultra DNR (2D/3D)
Motion Detection	Support
Region of Interest	Support
Electronic Image Stabilization (EIS)	N/A
Defog	N/A
Digital Zoom	16x
Flip	180°
Privacy Masking	Support

### Audio

Compression	N/A
-------------	-----

### Network

Ethernet	RJ-45 (10Base-T/100Base-TX)
Protocol	IPv4/IPv6, HTTP, HTTPS, SSL, TCP/IP, UDP, UPnP, ICMP, IGMP, SNMP, RTSP, RTP, SMTP, NTP, DHCP, DNS,PPPOE,DDNS,FTP, IP Filter,QoS,Bonjour,802.1x
Interoperability	ONVIF Profile S&G, API
Streaming Method	Unicast / Multicast
Max. User Access	20 users
Edge Storage	NAS (Network Attached Storage), Local PC for instant recording
Web Viewer	IE, Chrome, Firefox, Safari
Management Software	Smart PSS, DSS, DMSS
Smart Phone	IOS, Android

### Certifications

Certifications	CE: EN55032/EN55024/EN50130-4 FCC: Part15 subpartB,ANSI C63.4- 2014
----------------	--

### Interface

Video Interface	N/A
Audio Interface	N/A
RS485	N/A
Alarm I/O	N/A

### Electrical

Power Supply	DC12V/1.5A, PoE(802.3af)
Power Consumption	5W (IR on)

### Environmental

Operating Conditions	-40°C ~ 60°C (-40°F ~ +140°F) / Less than 95% RH
Ingress Protection	IP68
Vandal Resistance	IK10

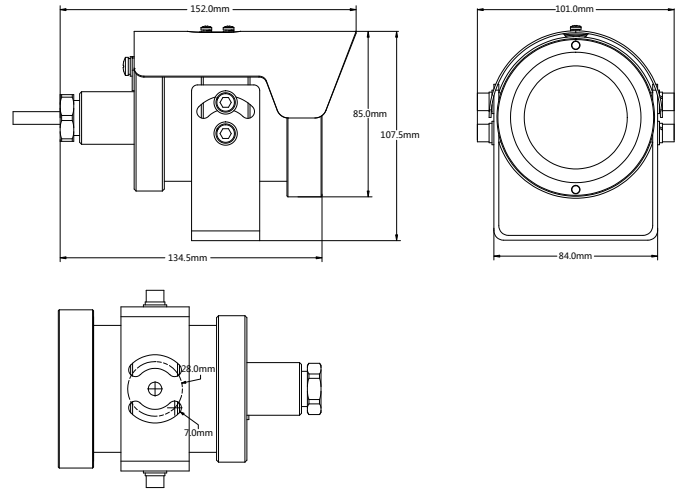
**Construction**

Casing	316L stainless steel
Dimensions	Φ152mm × 101mm × 107.5mm
Net Weight	2kg(4.41lb)
Gross Weight	2.27Kg(5.01lb)

**Ordering Information**

Type	Part Number	Description
2MP Camera	DH-SDZW2000T-SL-0360	2MP Anti-corrosion IR Network Camera, WDR, 3.6mm, PAL
	DH-SDZW2000TN-SL-0360	2MP Anti-corrosion IR Network Camera, WDR, 3.6mm, NTSC
	DH-SDZW2000T-SL-0600	2MP Anti-corrosion IR Network Camera, WDR, 6mm, PAL
	DH-SDZW2000TN-SL-0600	2MP Anti-corrosion IR Network Camera, WDR, 6mm, NTSC
Accessory	DC12V/2A	Power Adapter
	DH-PFB733W-SL	Wall Mount
	DH-HB1000	Anti-corrosion Flexible Tube

**Dimensions (mm)**



**Accessories**

Optional:



DC12V/2A  
Power Adapter



DH-PFB733W-SL  
Wall Mount



DH-HB1000  
Flexible Tube

Wall Mount	Pendant Mount
PFB733W-SL	