

DS-2TS36-50VI/WL Handheld Bi-spectrum Multi-function Binocular



Hikvision DS-2TS36-50VI/WL Handheld Thermal & Optical Bi-spectrum Multi-function Binocular is equipped with ultra-low light optical detector, 640 × 512 @25fps thermal detector, 1920 × 1080 @25fps OLED display and eyepiece with laser range capability. The device can quickly discover and accurately locate targets on the ground, at sea and river even under extreme environment, such as smoke, fog, rain and snow. It can be widely applied to scenarios like patrol, law enforcement, search and rescue, drug enforcement, anti-smuggling and suspect capture.

Key Features

- Thermal: 640 × 512 @25fps, optical: 1920 × 1080 @25fps
- Adaptive AGC, DDE, 3D DNR, NETD less than 40 mk (25°C, F#=1.0)
- Ultra-low illumination (optical channel), B/W: 0.001 lux @ (F1.0, AGC On)
- Bi-spectrum image fusion and object highlight (detail enhancement and target recognition)
- Video recording, replay, picture snapshot and search (capable to review the event on device)
- Wi-Fi hot spot
- Support Eye Safety Laser (Up to 3 km Laser-distance detection with measuring accuracy 0.75m)
- Built-in Laser-distance detection module, compass, and GPS module, support self-positioning and target positioning
- Digital Magnetic Compass and Inclination Sensor

Specification

Thermal Module	
Image Sensor	Vanadium Oxide Uncooled Focal Plane Arrays
Max. Resolution	640 × 512 @25fps
Pixel Interval	17μm
Response Waveband	8μm to 14μm
NETD	≤ 40 mk (25°C, F#=1.0)
Lens (Focal Length)	50 mm, Electric focus
MRAD	0.34 mrad
Field of View	12.42° × 9.95° (H × V)
Digital Zoom	4×
Aperture	F1.0
Optical Module	
Max. Image Resolution	1920 × 1080 @25fps
Image Sensor	1/1.8" Progressive Scan CMOS
Min. Illumination	B/W : 0.001 lux @ (F1.0 , AGC On)
Lens (Focal Length)	22 mm
Image Enhancement	3D DNR, Adaptive AGC
Image Display	
Monitor	0.39-inch, OLED, 1024 × 768
Thermal/Optical Mode	Thermal view, B/W optical view, image fusion view are selectable
Image Fusion	Color fusion, B/W fusion
Pallets	Black hot, white hot
Smart Function	
Hot Track	Yes
Object Highlight	Yes
Automatic Backlight	The OLED backlight automatically turns off if no human eyes are detected.
Laser-Distance Detection	Up to 3 km
System	
Storage	Built-in memory module (32GB)
Record Video	On-board video recording
Snapshot	On-board image capturing
Video Replay	Yes
Picture Search	Yes
Head Accuracy	0.2 °(RMS)
Measure Distance	Max. 3km
Accuracy	0.75m
Nominal Wavelength	1550 nm (class1)
Wi-Fi	Yes

GPS	Yes
Power Supply	
Battery Type	Four 18650 batteries, requires 7 hours to be fully charged
Battery Operating Time	More than 7 hours
Battery Capacity Display	Yes
General	
Menu language	English
Power	DC 5V/2A, Max.10W
Working Temperature	-30 °C to 60 °C (-22 °F to 140 °F)
Protection Level	IP67
Mounting	UNC 1/4"-20
Cable Output	Aviation plug: connecting to BNC, DB9, and USB
Accessories (Supplied)	Battery charger, battery charger power cable, wiping cloth, two wrist straps, User manual, aviation plug cable, eight batteries
Dimension	187.8mm × 219.8mm × 87.4mm (7.4" ×8.65" ×3.4")
Weight	Approx. 1.5 Kg (3.3 lb)

Detection Range Table

* The table is only for reference, the performance may vary from camera to camera.

Wide Range Coverage

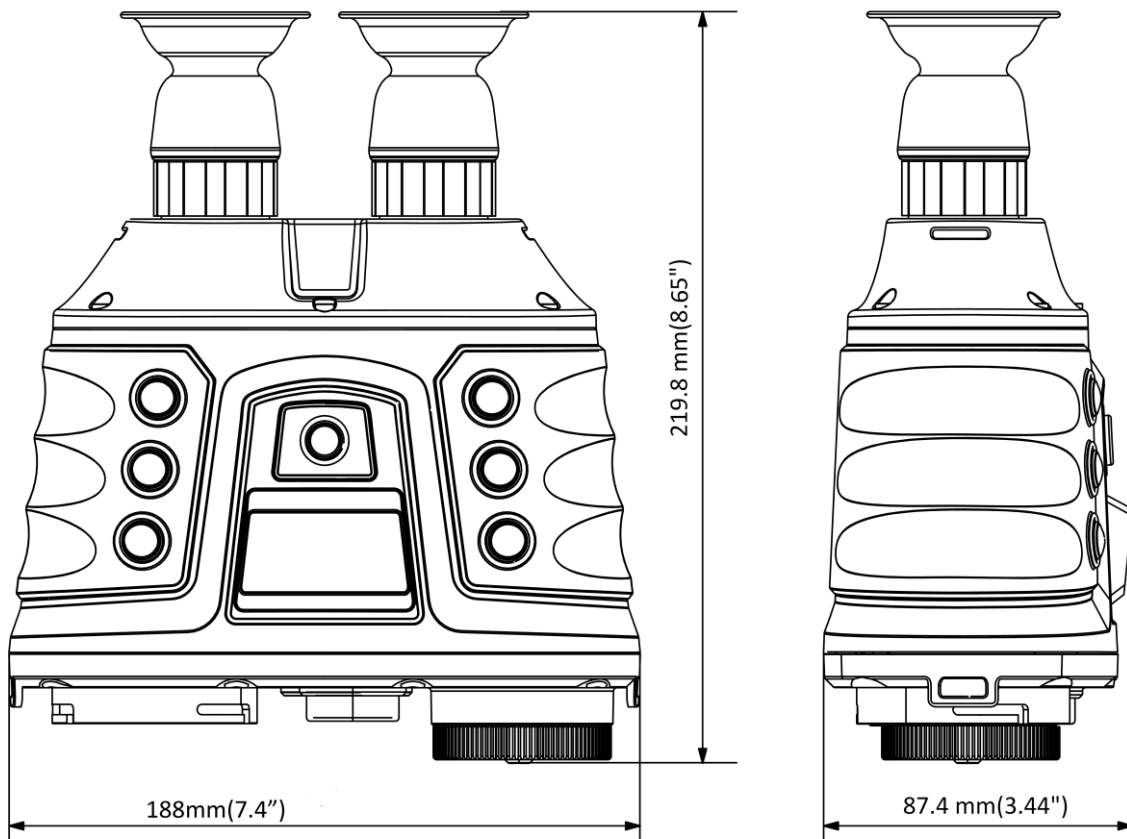
There is range limit for detecting, recognizing, and identifying human/vehicle targets.

Detection Range (Vehicles: 1.4×4.0m)	Detection Range (Humans: 1.8×0.5m)	Recognition Range (Vehicles: 1.4×4.0m)	Recognition Range (Humans: 1.8×0.5m)	Identification Range (Vehicles: 1.4×4.0m)	Identification Range (Humans: 1.8×0.5m)
4510 m	1471 m	1127 m	368 m	564 m	184 m

Available Model

DS-2TS36-50VI/WL

Dimension



COMPLIANCE NOTICE: The thermal series products might be subject to export controls in various countries or regions, including without limitation, the United States, European Union, United Kingdom and/or other member countries of the Wassenaar Arrangement. Please consult your professional legal or compliance expert or local government authorities for any necessary export license requirements if you intend to transfer, export, re-export the thermal series products between different countries.



Distributed by

