

## LYNX Pro LE10 Handheld Thermal Monocular Camera



HIKMICRO LYNX Pro LE10 handheld thermal monocular camera is equipped with a  $256 \times 192$  infrared detector and a  $720 \times 540$  LCOS display. It supports functions of observation, distance measurement, Wi-Fi hot spot, and so on. The high-sensitivity built-in thermal detector provides you with clear view even in total darkness. The monocular is mainly applied to scenarios such as hunting, hiking, law enforcement, searching and rescuing, and etc.

### ▪ Key Feature

- $256 \times 192$  resolution,  $12 \mu\text{m}$ , high sensitivity detector
- Adaptive AGC, DDE, 3D DNR, NETD less than  $35 \text{ mK}$  (@  $25^\circ\text{C}$ ),  $F\# = 1.0$
- $720 \times 540$  resolution 0.2-inch LCOS display
- Built-in rechargeable lithium battery
- Up to 8 hours continuous running
- Hot Spot
- Type-C Interface

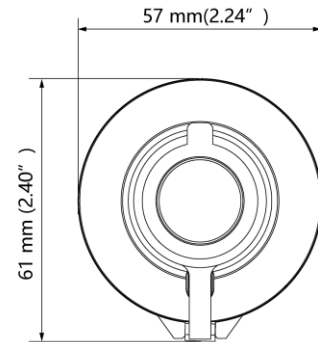
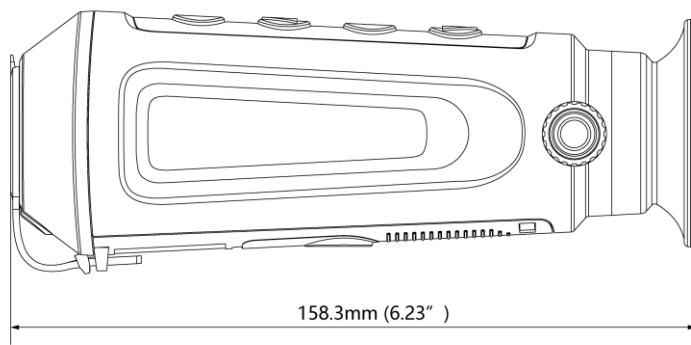
## ▪ Specification

Thermal Module	
Image Sensor	VOx Uncooled Focal Plane Arrays
Max. Resolution	256 × 192
Pixel Interval	12 μm
Response Waveband	8 μm to 14 μm
NETD	Less than 35 mK (@ 25 °C), F# = 1.0
Lens (Focal Length)	9.7 mm
Field of View	18.00° × 13.55° (H × V)°
Aperture	F1.0
Magnification	1 to 8
Digital Zoom	1 ×, 2 ×, 4 ×, 8 ×
Image Display	
Frame Frequency	25 Hz
Display	0.2 inch, LCOS, 720× 540
Palettes	Black Hot, White Hot, Red Hot, Fusion
FFC (Flat Field Correction) Mode	Auto, Manual, External Correction
Smart Function	
Wi-Fi Hot Spot	Yes
Detection Range	458 m
Standby Mode	Yes
System	
Built-in Memory	8 GB
Record Video	Yes
Capture Snapshot	Yes
Built-in Memory Capacity	220,000 pictures
Power Supply	
Battery Type	Lithium battery
Battery Operating Time	8 hours continuous running with Wi-Fi hot spot function off (@ 25 °C) 6 hours continuous running with Wi-Fi hot spot function on (@ 25 °C)
Battery Capacity Display	Yes
General	
Work Temperature/Humidity	- 20 °C to 55 °C (- 4 °F to 131 °F)
Power	5 VDC/2 A, 1.5 W, Type-C Interface
Protection Level	IP67
Dimension	158.3 mm × 61 mm × 57 mm (6.23" × 2.40" × 2.24")
Weight	260 g (0.57 lb)

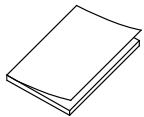
## ▪ Available Model

HM-TS02-10XG/W-LE10

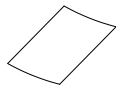
## Dimension



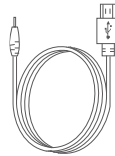
## Accessory



Quick Start Guide  
(x1)



Non-dust Cloth  
(x1)



USB Cable  
(x1)



Protective Bag  
(x1)



Wrist Strap  
(x1)

**COMPLIANCE NOTICE:** The thermal series products might be subject to export controls in various countries or regions, including without limitation, the United States, European Union, United Kingdom and/or other member countries of the Wassenaar Arrangement. Please consult your professional legal or compliance expert or local government authorities for any necessary export license requirements if you intend to transfer, export, re-export the thermal series products between different countries.

