



DS-4718HZ-K

Outdoor Housing

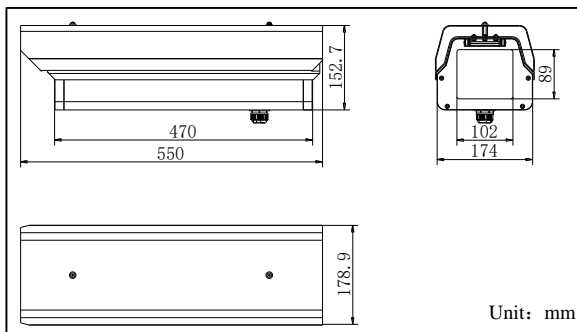
Key Features:

- Adopt optical glass with waterproof coating, transmittance higher than 98%
- Built-in automatic temperature control system to ensure stable running
- Adopt advanced craftsmanship, water-proof up to IP 66
- Configure different types of camera lens according to the respective requirements

Order Model:

DS-4718HZ-K

Dimension:



Accessory:



DS-1293ZJ Wall Mount



DS-1214ZJ Horizontal Pole Mount

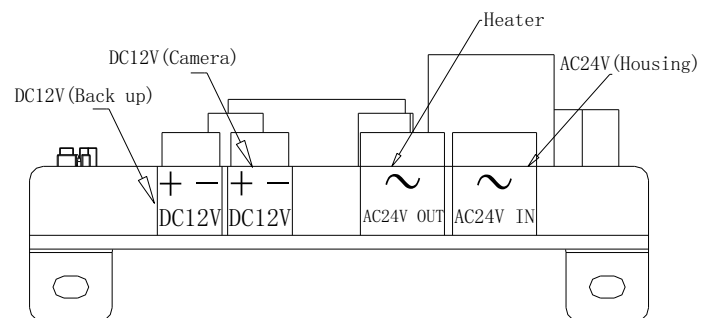


DS-1269ZJ Pendant Mount

Specification:

Model	DS-4718HZ-K
Parameter	Outdoor Housing
Produce features	Contain heater, fan
Working temperature	-40°C ~ +60°C
Window dimension(mm)	102×89
Automatic temperature control range	-40°C ~ +60°C Heater on: 5°C±5°C, fan operating for constant temperature; Fan on: 40°±5°C, for heat dissipation
Power	AC24
Power consumption	Fan: 4W, Heater: 60W
Protection level	IP66
Material	Main: aluminum alloy Window: optical glass
Dimension(mm)	174×153×550mm
Weight	2.5Kg

Wiring:



Note:

- Read the instructions carefully and observe all warnings before installing this equipment.
- To prevent a lightning strike, please install the lightning arrester
- Turn off the power before wiping this equipment, do not use liquid or spray cleaning agent.
- Do not install on unstable bracket.
- Protect the power line, especially the flexible line of the plug and camera.