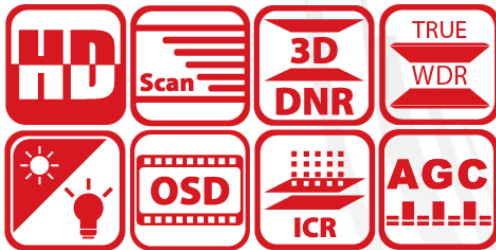


DS-2CC12D9T-(A) HD1080P WDR Box Camera



Key Features

- 2 Megapixel high-performance CMOS
- Analog HD output, up to 1080P resolution
- True Day/Night
- OSD menu, 3D DNR
- True WDR, up to 120dB
- 24V AC/ 12V DC(-A)
- Up the Coax(HIKVISION-C)

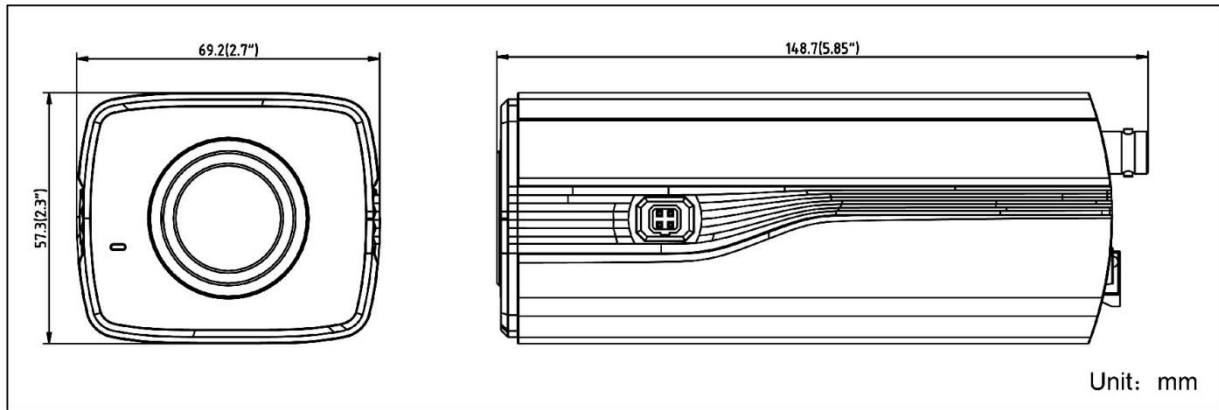
Specifications

Camera	
Image Sensor	2MP CMOS Image Sensor
Signal System	PAL/NTSC
Effective Pixels	1944(H)*1092(V)
Min. illumination	0.003 Lux @ (F1.2, AGC ON), 0 Lux with IR
Shutter Time	1/25(1/30)s to 1/50,000s
Lens Mount	C/CS mount
Auto-iris	DC drive
Day & Night	ICR
Synchronization	Internal synchronization
WDR	120dB
Video Frame Rate	1080p@25fps/1080p@30fps
HD Video Output	1 Analog HD output
CVBS Output	1Vp-p Composite Output(75Ω/BNC)
Alarm	-A: 1 Alarm input; 1 Alarm output
S/N Ratio	> 62dB
Menu	
Scene	Indoor, Outdoor, Indoor1, LOW-LIGHT
Camera ID	On/off (15 characters, position programmable)
AGC	Support
D/N Mode	Color/BW/EXT
White Balance	ATW, AWC-SET, Manual
Privacy Mask	On/Off, maximum 8 zones
Motion Detection	On/Off, maximum 4 zones
BLC	Support
Anti-flicker	On/Off
Language	English, Japanese, CHN1, CHN2, Korean, German, French, Italian, Spanish, Polish, Russian, Portuguese, Dutch, Turkish, Hebrew and Arabic
Functions	HSBLC, Digital noise reduction, Digital zoom(62x), Slow shutter, Mirror, Defog, Defect pixel correction, SMART D-ZOOM, LSC (Lens Shading Correction)
General	
Operating Conditions	-30 °C – 60 °C (-22 °F – 140 °F), Humidity 90% or less (non-condensing)
Power Supply	12 VDC±15%, -A: 24V±15% AC, 12V±15% DC
Power Consumption	Max. 4W, -A: Max. 6W
Communication	Up the coax, Protocol: HIKVISION-C(TVI output)
Dimensions	69.2×57.3×148.7mm(2.7" × 2.3" × 5.85")
Weight	520 g

Order Models

DS-2CC12D9T-(A)

Dimensions



Accessories



DS-1292ZJ
Wall Mounting



DS-1332HZ
Indoor Housing



DS-1331
Outdoor Housing



DS-1H18
Video Balun



X41T
Camera Tester



DS-1330HZ
Indoor Housing



TV0309D-MPIR
Manual Focusing 3MP IR Lens



DS-1299ZJ
Pendant Mounting